

Documentatie tehnica Motoburghiu TT12

Figura 1

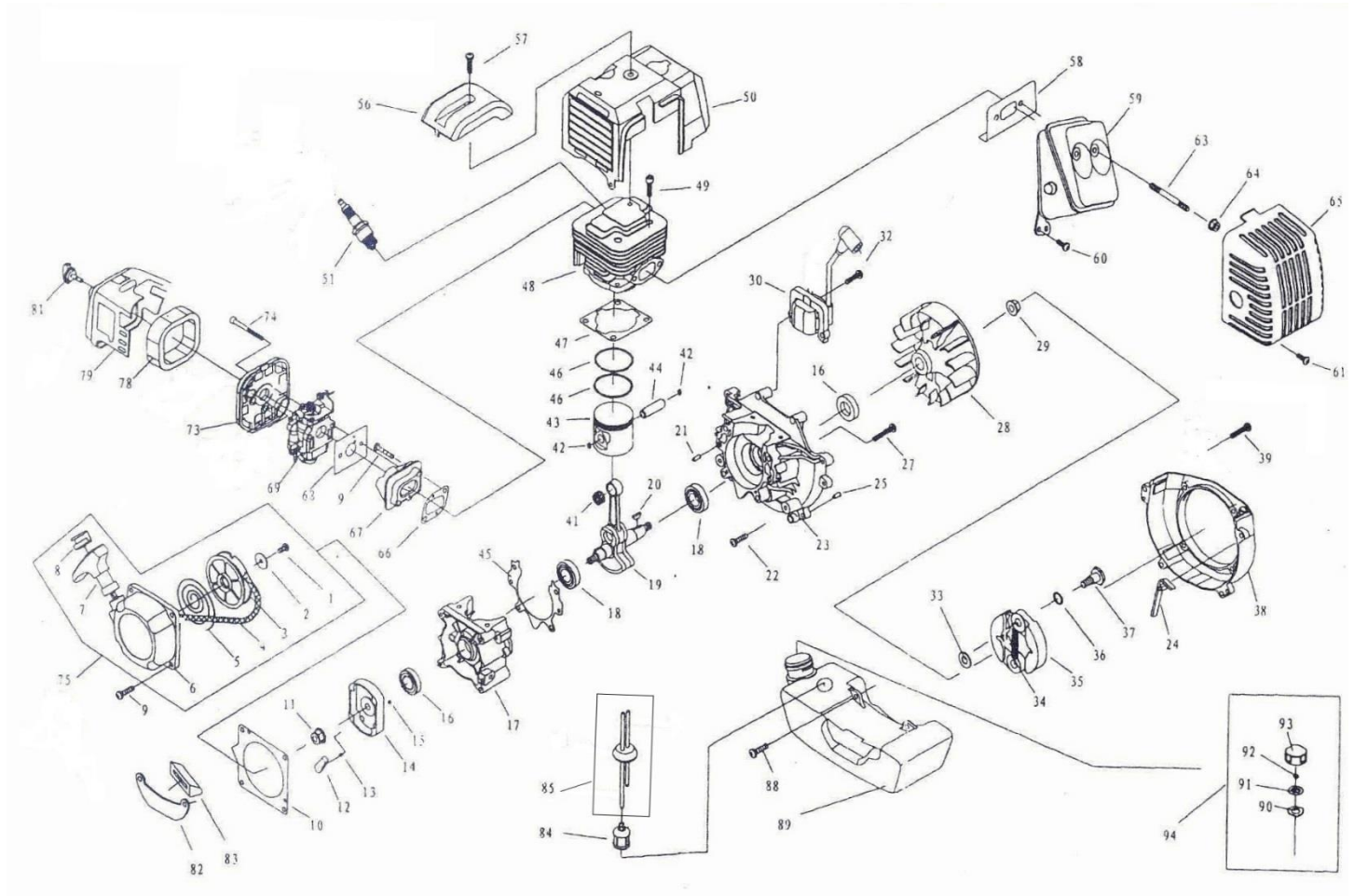


Figura 1

Nr. Crt	Denumire produs	Product name	Cod comanda
1	surub M5X12	bolt M5*12	pstt10-1-1
2	saiba	washer	pstt10-1-2
3	rola demaror	starter reel	pstt10-1-3
4	sfoara demaror	nylon rope	pstt10-1-4
5	arc rapel	recoil spring	pstt10-1-5
6	capac demaror	starter case	pstt10-1-6
7	maner demaror	starter grip	pstt10-1-7
8	clema	clamp	pstt10-1-8
9	surub M5X20	bolt M5*20	pstt10-1-9
10	placa	plate	pstt10-1-10
11	piulita M8	nut M8	pstt10-1-11
12	clichet	pawl	pstt10-1-12
13	arc	spring	pstt10-1-13
14	cuplaj	coupling	pstt10-1-14
15	siguranta	clip	pstt10-1-15
16	simering	seal	pstt10-1-16
17	semicarter	crank case	pstt10-1-17
18	rulment 6201	bearing 6201	pstt10-1-18
19	ambielaj	crankshaft	pstt10-1-19
20	pana	key	pstt10-1-20
21	pin de ghidare	pin	pstt10-1-21
22	surub M5X12	bolt M5*12	pstt10-1-22
23	semicarter	crank case	pstt10-1-23
24	deflector	deflector	pstt10-1-24
25	pin de ghidare	pin	pstt10-1-25
27	surub M5X30	bolt M5X30	pstt10-1-27
28	volanta	flywheel	pstt10-1-28
29	piulita M8	nut M8	pstt10-1-29
30	modul aprindere	ignition coil	pstt10-1-30
32	surub M5X20	bolt M5*20	pstt10-1-32
33	saiba	washer	pstt10-1-33
34	arc ambreiaj	spring clutch	pstt10-1-34
35	contragreutati ambreiaj	clutch counterweights	pstt10-1-35
36	saiba elastica	spring washer	pstt10-1-36
37	surub	bolt	pstt10-1-37
38	capac ventilator	fan cover	pstt10-1-38
39	surub M5X20	bolt M5*20	pstt10-1-39

41	rulment ace	needle bearing	pstt10-1-41
42	siguranta bolt piston	piston pin clip	pstt10-1-42
43	piston	piston	pstt12-1-43
44	bolt piston	piston pin	pstt10-1-44
45	garnitura carter	crankcase gasket	pstt10-1-45
46	set segmenti	piston ring	pstt12-1-46
47	garnitura cilindru	cylinder gasket	pstt10-1-47
48	cilindru	cylinder	pstt12-1-48
49	surub M5X18	bolt M5X18	pstt10-1-49
50	capota	hood	pstt10-1-50
51	bujie	spark plug	br2t
56	capac	cover	pstt10-1-56
57	surub M5X20	bolt M5X20	pstt10-1-57
58	garnitura esapament	muffler gasket	pstt10-1-58
59	toba esapament	muffler	pstt10-1-59
60	surub M5X12	bolt M5*12	pstt10-1-60
61	surub M5X12	bolt M5*12	pstt10-1-61
63	prezon	stud	pstt10-1-63
64	piulita M6	nut M6	pstt10-1-64
65	capac toba esapament	muffler cover	pstt10-1-65
66	garnitura izolator	gasket insulator	pstt10-1-66
67	izolator	insulator carburetor	pstt10-1-67
68	garnitura carburator	carburetor gasket	pstt10-1-68
69	carburator	carburetor	pstt10-1-69
73	suport filtru aer	air filter holder	pstt10-1-73
74	surub M5X50	bolt M5X50	pstt10-1-74
75	ansamblu demaror	starter assembly	pstt10-1-75
78	filtru aer	air filter	pstt10-1-78
79	capac filtru aer	air filter cover	pstt10-1-79
81	surub	bolt	pstt10-1-81
82	suport rezervor	tank holder	pstt10-1-82
83	manson	rubber	pstt10-1-83
84	filtru combustibil	fuel filter	pstt10-1-84
85	sistem alimentare	supply system	pstt10-1-85
88	surub M5X20	bolt M5*20	pstt10-1-88
89	rezervor combustibil	fuel tank	pstt10-1-89
94	ansamblu buson rezervor	cover fuel tank	pstt10-1-94

Figura 2

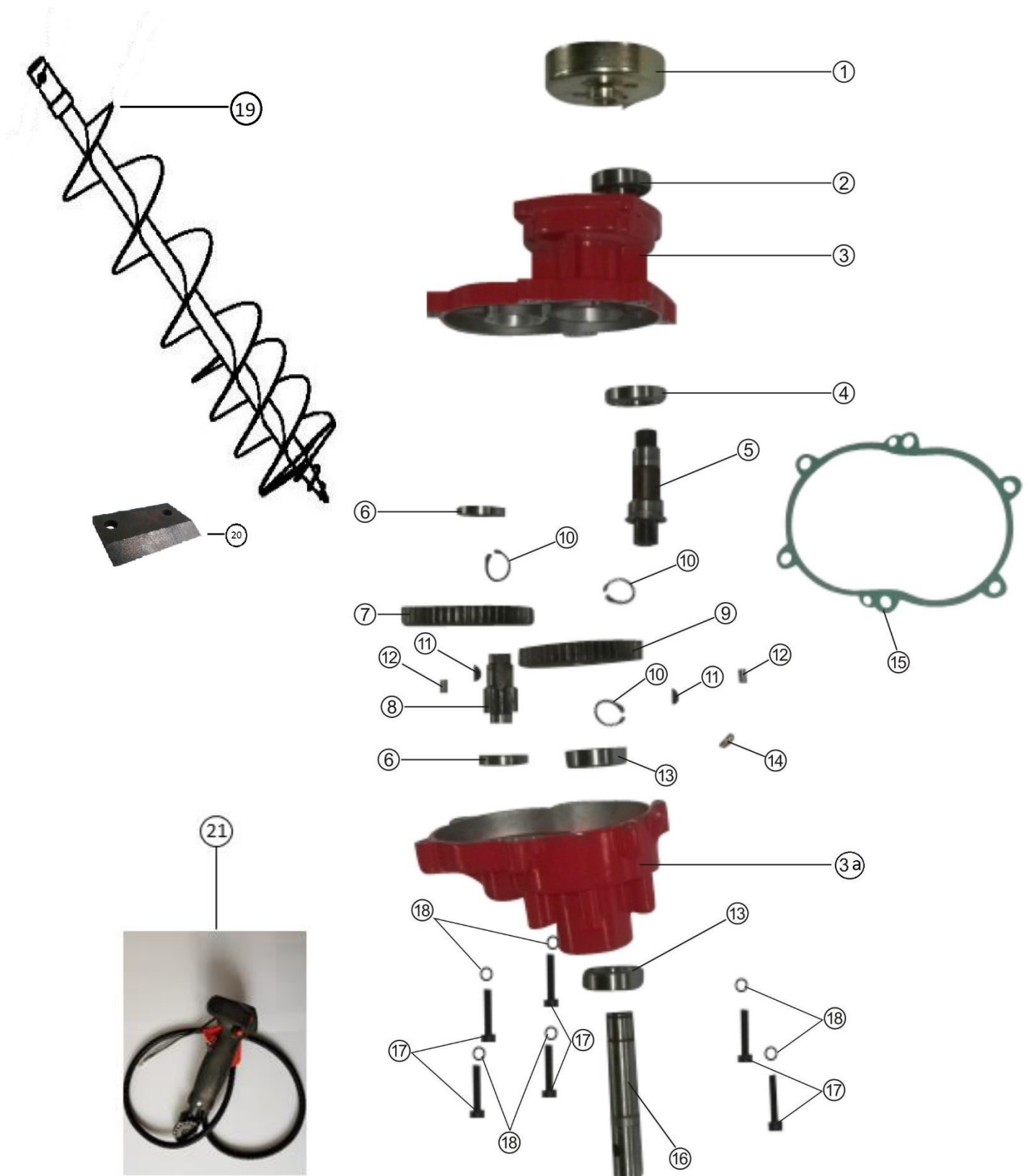


Figura 2

Nr. Crt	Denumire produs	Product name	Cod comanda
1	oala ambreiaj	clutch case	pstt10-2-1
2	rulment	bearing	pstt10-2-2
3	carcasa reductor	transmission box body	pstt10-2-3
3a	carcasa reductor	transmission box body	pstt10-2-3a
4	rulment	bearing	pstt10-2-4
5	ax	shaft	pstt10-2-5
6	rulment	bearing	pstt10-2-6
7	roata dintata	gearwheel	pstt10-2-7
8	ax canelat	grooved shaft	pstt10-2-8
9	roata dintata	gearwheel	pstt10-2-9
10	zegher	clamping spring	pstt10-2-10
11	pana	key	pstt10-2-11
12	pin de ghidare	pin	pstt10-2-12
13	rulment	bearing	pstt10-2-13
14	bolt	bolt	pstt10-2-14
15	garnitura reductor	transmission gasket	pstt10-2-15
16	ax	shaft	pstt10-2-16
17	surub	screw	pstt10-2-17
18	saiba grover	spring washer	pstt10-2-18
19	burghiu 100	drill 100mm	cstt-d100
19a	burghiu 150	drill 150mm	cstt-d150
19b	burghiu 200	drill 200mm	cstt-d200
20	cutit burghiu 100	knife drill 100	cstt-d100a
20a	cutit burghiu 150	knife drill 150	cstt-d150a
20b	cutit burghiu 200	knife drill 200	cstt-d200a
21	ansamblu acceleratie	acceleration assy.	pstt10-2-21