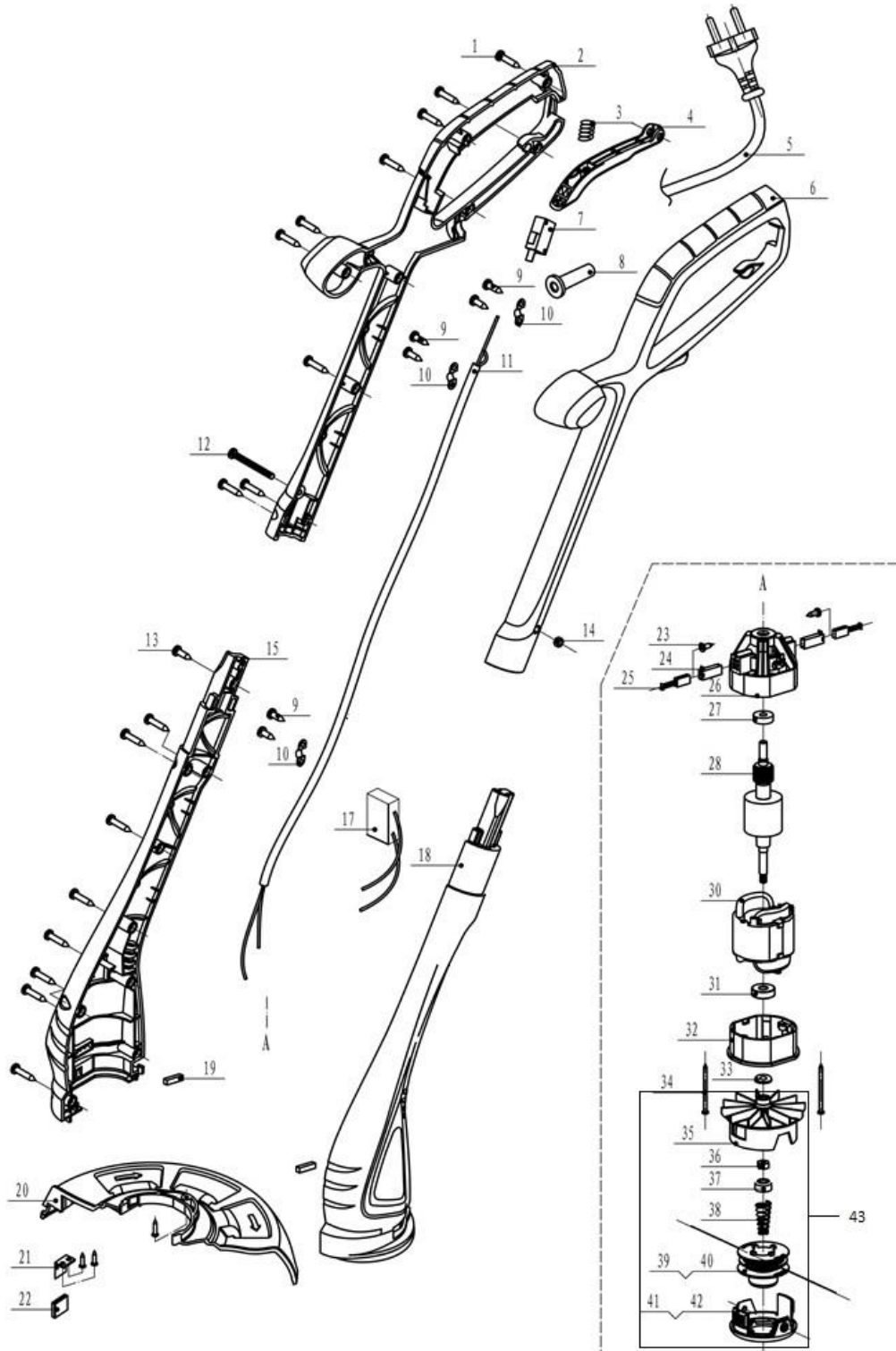


Producător motoutilaje

Documentatie tehnică

Documentatie tehnica trimer TE250



Nr. Crt	Denumire produs	Product name	Cod intern
1	surub autofiletant	self tapping screw	pste250-1
2	maner dreapta	right handle	pste250-2
3	arc buton	switch spring	pste250-3
4	buton	switch button	pste250-4
5	cablu alimentare	cabel	pste250-5
6	maner stanga	left handle	pste250-6
7	comutator	switch	pste250-7
8	manson	cabel cover	pste250-8
9	surub autofiletant	self tapping screw ST4*10	pste250-9
10	clema fixare	cable tie clamp	pste250-10
11	cablu	cabel	pste250-11
12	surub M4X30	screw M4*30	pste250-12
13	surub autofiletant	self tapping screw ST4*12	pste250-13
14	piulita M4	nut M4	pste250-14
15	carcasa dreapta	right housing	pste250-15
17	condensator	electric capacity	pste250-17
18	carcasa stanga	left housing	pste250-18
19	manson	rubber	pste250-19
20	aparatoare	shield cover	pste250-20
21	cutit	blade	pste250-21
22	protectie cutit	blade shield	pste250-22
23	surub autofiletant	self tapping screw ST3*10	pste250-23
24	suport perii	carbon brush holder	pste250-24
25	perii	carbon brush	pste250-25
26	suport inferior stator	stator back brackets	pste250-26
27	rulment	bearing 607 2Z	pste250-27
28	rotor	rotor	pste250-28
30	stator	stator	pste250-30
31	rulment	bearing 608 2Z	pste250-31
32	suport superior stator	stator front brackets	pste250-32
33	saiba	washer ring $\phi 14 * \phi 8 * 0.8$	pste250-33
34	surub	self tapping screw ST4*45	pste250-34
35	carcasa autocut	autocut housing	pste250-35
36	piulita M6	M6 nut	pste250-36
37	inel de cauciuc	rubber ring	pste250-37
38	arc	taper spring	pste250-38
39	rola fir	coiling wheel	pste250-39

Producător motoutilaje

Documentatie tehnică

40	fir	nylon rope	pste250-40
41	capac autocut	rope-out bracket	pste250-41
42	nit	rivet $\phi 5 * 5$	pste250-42
43	autocut	autocut	pste250-43