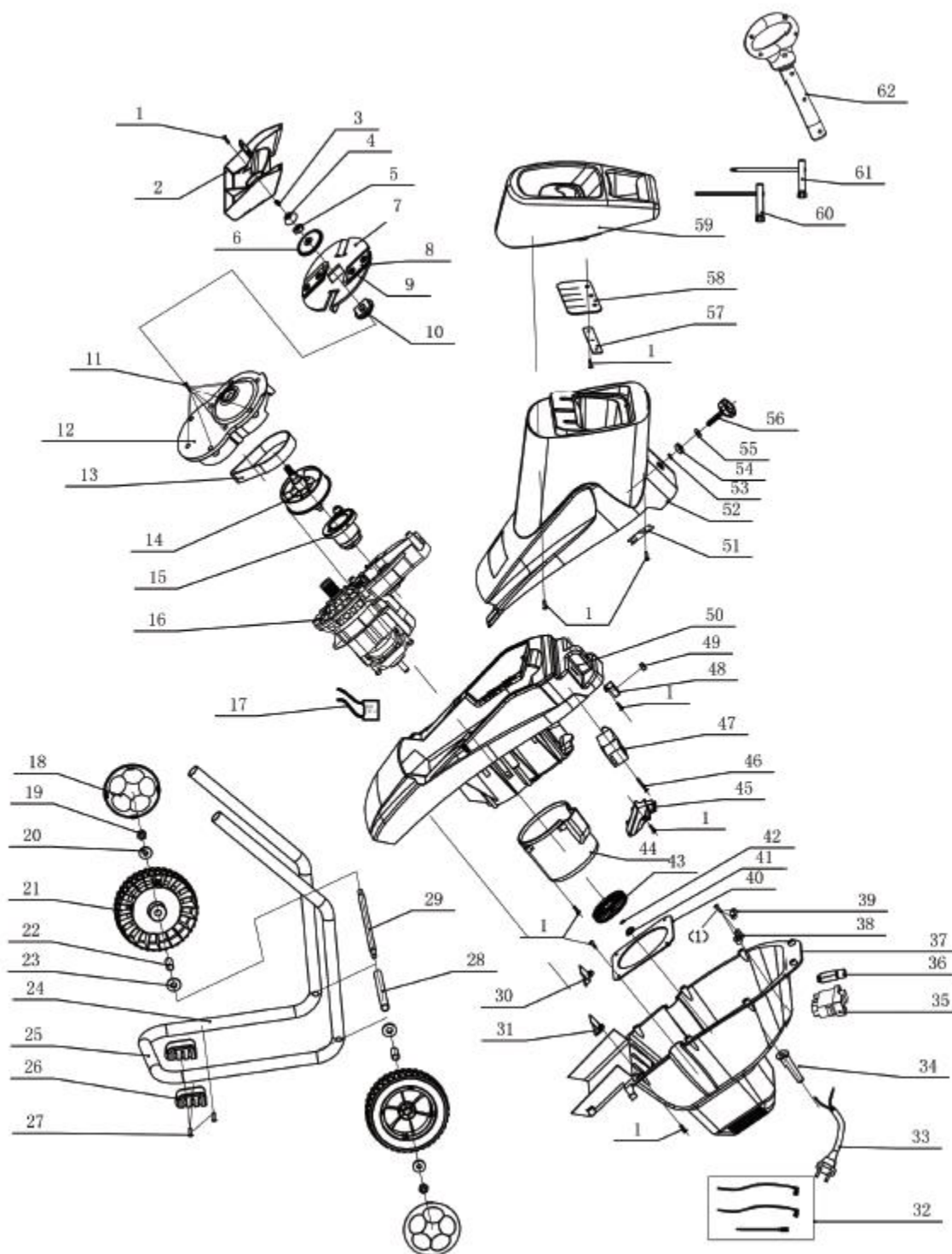


Documentatie tehnica tocaor ST100



Nr.crt	Denumire produs	Product name	Cod comanda
1	surub	self tapping screw 1	psst100-1
2	capac	aluminum baffle	psst100-2
3	surub	srew 1	psst100-3
4	capac piulita	nut cap	psst100-4
5	piulita autoblocanta	anti loose nut 1	psst100-5
6	tampon	press block	psst100-6
7	taietor	cutter	psst100-7
8	cutit	blade	psst100-8
9	surub	srew 2	psst100-9
10	bloc fix taietor	fixed block of cutter	psst100-10
11	surub	self tapping screw 2	psst100-11
12	ansamblu capac fulie	upper cover assembly of pulley	psst100-12
13	curea	wedge belt	psst100-13
14	ansamblu fulie mare	big wheel assembly	psst100-14
15	intinzator	tension block assembly of wheel	psst100-15
16	ansamblu motor	motor assembly	psst100-16
17	condensator	capacitor	psst100-17
18	capac roata	wheel cover	psst100-18
19	piulita autoblocanta	anti loose nut 3	psst100-19
20	garnitura	flat gasket 2	psst100-20
21	roata	wheel	psst100-21
22	conducta roata	casing pipe of the wheel	psst100-22
23	garnitura	flat gasket 3	psst100-23
24	suport	bracket	psst100-24
25	suport U	U-shaped bracket	psst100-25
26	suport picioare	foot pad	psst100-26
27	surub	srew 4	psst100-27
28	tub suport	supporting tube	psst100-28
29	ax roata	wheel shaft	psst100-29
30	membrana dreapta	right membrane	psst100-30
31	membrana stanga	left membrane	psst100-31
32	fir interior	inner wire	psst100-32
33	cablaj alimentare	plug and wire	psst100-33
34	teaca cablu	cable sheath	psst100-34
35	comutator	electromagnetic switch	psst100-35
36	protectie suprasarcina	overload protector	psst100-36
37	protectie motor	motor cover	psst100-37
38	scaun	sheath block	psst100-38

Producător motoutilaje

Documentatie tehnică

39	placa presiune	pressing line plate	psst100-39
40	conducta de aer	air duct diaphragm	psst100-40
41	protectie capac cutit	protection cover of wind blade	psst100-41
42	opritor	stop collar 1	psst100-42
43	ventilator	wind blade	psst100-43
44	tub aer	air duct tube	psst100-44
45	bloc electronic	water proof plate	psst100-45
46	surub	self tapping screw 4	psst100-46
47	intrerupator de siguranta	safety switch	psst100-47
48	bloc fixare piulita	fixing block of nut	psst100-48
49	surub	screw 5	psst100-49
50	carter	main housing	psst100-50
51	comutator	switch key	psst100-51
52	carcasa superioara	upper housing	psst100-52
53	opritor	stop collar 2	psst100-53
54	placa	baffle plate for knob	psst100-54
55	garnitura	flat gasket 4	psst100-55
56	ansamblu rozeta	knob assembly	psst100-56
57	banda fixare placa	hold-down strip for rubber plate	psst100-57
58	placa de cauciuc	rubber plate	psst100-58
59	panou gura alimentare	panel for feeding hole	psst100-59
60	cheie	wrench 1	psst100-60
61	cheie	wrench 2	psst100-61
62	tija	push rod	psst100-62