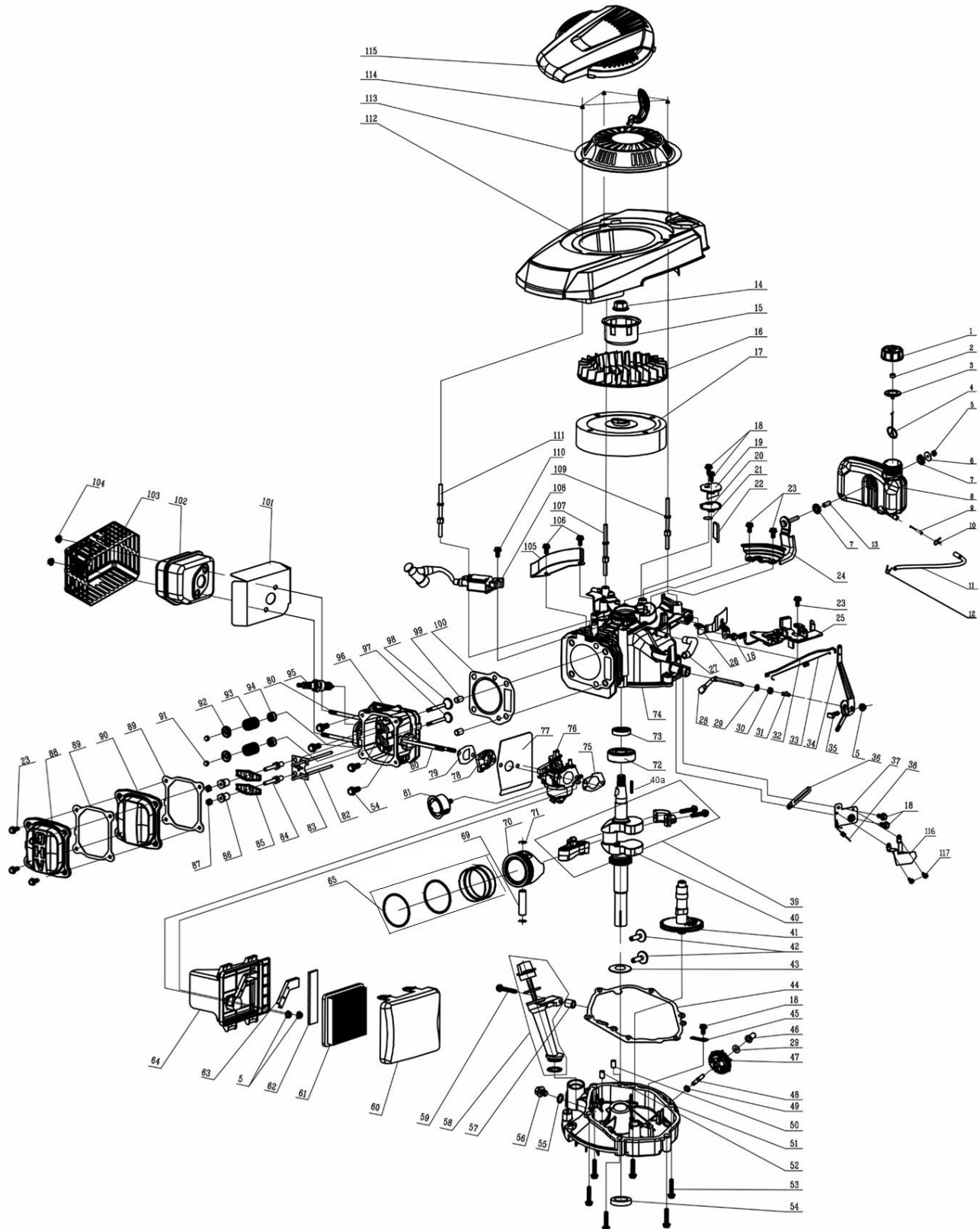


Documentatie tehnica masina de gazon Ruris RX400



Nr.crt	Denumire produs	Product name	Cod comanda
1	buson rezervor	fuel tank cap	psrx400-1-1
2	burete	fuel tank cap sponge	psrx400-1-2
3	garnitura	fuel tank cap seal gasket	psrx400-1-3
4	fir fluture	connect cable of fuel cap	psrx400-1-4
5	piulita M6	hex flange nuts	psrx400-1-5
6	saiba	the oil tank mount big washer	psrx400-1-6
7	amortizor rezervor	tank damping rubber pad	psrx400-1-7
8	rezervor combustibil	fuel tank body	psrx400-1-8
9	filtru combustibil	fuel oil screen pipe	psrx400-1-9
10	colier	fuel pipe lock clamp i	psrx400-1-10
11	furtun alimentare	fuel pipe	psrx400-1-11
12	colier	fuel pipe lock clamp ii	psrx400-1-12
13	bucsa	fuel tank mounting bushing	psrx400-1-13
14	piulita M14x1.5	hex flange nuts	psrx400-1-14
15	cuplaj	starter hub	psrx400-1-15
16	ventilator	fan	psrx400-1-16
17	volanta	flywheel assy	psrx400-1-17
18	surub M6x12	bolt	psrx400-1-18
19	capac	respirator cover plate	psrx400-1-19
20	garnitura	respirator head gasket	psrx400-1-20
21	valva	respirator valve plate	psrx400-1-21
22	element filtrant	oil filter net	psrx400-1-22
23	surub M6x14	bolt	psrx400-1-23
24	suport rezervor combustibil	main bracket of fuel tank	psrx400-1-24
25	frana volanta	detent assy.	psrx400-1-25
26	deflector	wind shield	psrx400-1-26
27	furtun epurator	waste pipe	psrx400-1-27
28	ax regulator	rate-limiting rocker arm shaft	psrx400-1-28
29	garnitura	gasket	psrx400-1-29
30	simering 6x11x4	oil seal	psrx400-1-30
31	siguranta	r type pin	psrx400-1-31
32	tija regulator	handspike of valve	psrx400-1-32
33	arc regulator	valve spring	psrx400-1-33
34	brat regulator	throttle rocker arm	psrx400-1-34
35	surub M6x23	bolt	psrx400-1-35
36	clema	clip	psrx400-1-36
37	placa	single phrase throttle assy.	psrx400-1-37
38	arc acceleratie	throttle control spring	psrx400-1-38

Producător motoutilaje

Documentatie tehnică

39	ansamblu biela	connecting rod assy.	psrx400-1-39
40	arbore motor	crankshaft assy.	psrx400-1-40
40a	pana	key	psrx400-1-40a
41	ax came	camshaft assy.	psrx400-1-41
42	tachet	pin	psrx400-1-42
43	saiba	clockwise gear gasket	psrx400-1-43
44	garnitura capac carter	respirator head gasket	psrx400-1-44
45	clema	rate-limiting gear shaft	psrx400-1-45
46	culisa	sliding sleeve	psrx400-1-46
47	regulator turatie	rete-limiting gear assy.	psrx400-1-47
48	ax regulator	rate-limiting gear shaft	psrx400-1-48
49	garnitura	gasket	psrx400-1-49
50	pin ghidare	spacing pin	psrx400-1-50
51	capac carter	crank box cover	psrx400-1-51
52	pin ghidare	spacing pin	psrx400-1-52
53	surub M8x50	locking bolt	psrx400-1-53
54	simering 25x38x7	oil seal	psrx400-1-54
55	garnitura	oil drain bolt gasket	psrx400-1-55
56	buson golire ulei	oil drain bolt	psrx400-1-56
57	bucsa	lubricating gauge assy	psrx400-1-57
58	ansamblu joja ulei	distance sleeve of lubricating setting	psrx400-1-58
59	surub M6x50	bolt	psrx400-1-59
60	capac filtru aer	air filter upper cover	psrx400-1-60
61	filtru aer	paper filter	psrx400-1-61
62	burete	coarse sponge filter	psrx400-1-62
63	placa	exhaust gas cover board	psrx400-1-63
64	carcasa filtru aer	air filter base assy.(ii)	psrx400-1-64
65	set segmenti	piston ring assy	psrx400-1-65
69	bolt piston	piston pin	psrx400-1-69
70	piston	piston	psrx400-1-70
71	siguranta	washer	psrx400-1-71
72	rulment 6205	rolling bearing	psrx400-1-72
73	simering 25x40x7	oil seal	psrx400-1-73
74	carter motor	crankshaft box assy.	psrx400-1-74
75	garnitura filtru aer	empty filter paper pad	psrx400-1-75
76	carburator	carburetor	psrx400-1-76
77	garnitura carburator	intake pipe paper pad ii	psrx400-1-77
78	izolator	air inlet pipe	psrx400-1-78
79	garnitura izolator	intake pipe paper pad i	psrx400-1-79
80	prezon M6x94	dual-head bolts	psrx400-1-80
81	pompita amorsare	prime button ii	psrx400-1-81

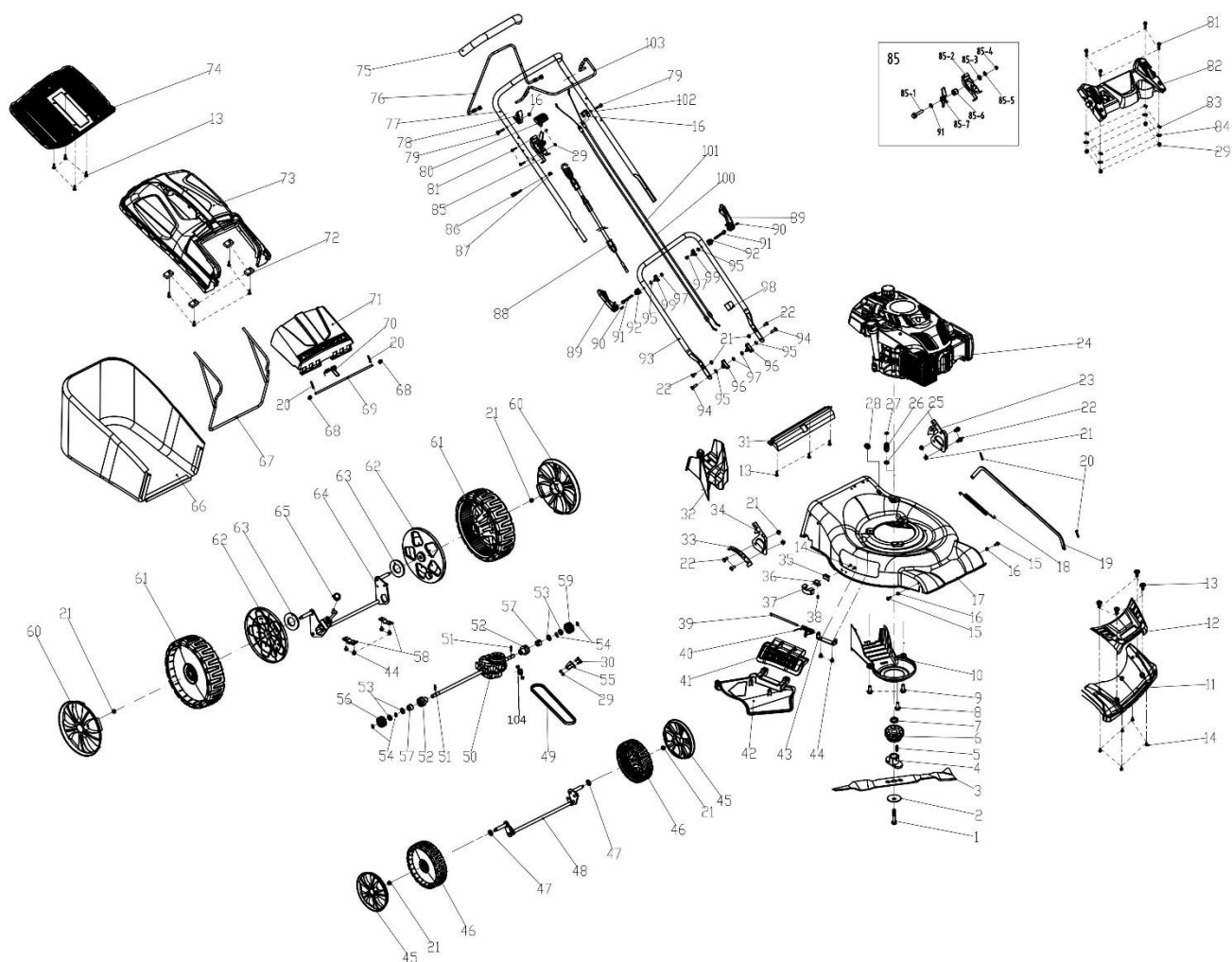
Producător motoutilaje

Documentatie tehnică

82	tija	push rod	psrx400-1-82
83	placuta ghidaj	push rod director plate	psrx400-1-83
84	prezon culbutori	valve rocker arm support bolts	psrx400-1-84
85	culbutor	rocker of valve	psrx400-1-85
86	piulita culbutori	valve adjustment nut	psrx400-1-86
87	piulita blocare	and nuts	psrx400-1-87
88	capac culbutori II	cylinder head cover ii	psrx400-1-88
89	garnitura capac culbutori	respirator head gasket	psrx400-1-89
90	capac culbutori I	cylinder head cover i	psrx400-1-90
91	pastila	top cover of exhaust valve	psrx400-1-91
92	taler supapa	spring coil of exhaust valve	psrx400-1-92
93	arc supapa	valve spring	psrx400-1-93
94	simering supapa	oil seal assy	psrx400-1-94
95	bujie	spark plug	br4t
96	chiuloas	cylinder head assy.	psrx400-1-96
97	supapa evacuare	exhaust valve	psrx400-1-97
98	supapa admisie	intakevalve	psrx400-1-98
99	pin ghidaj	spacing pin	psrx400-1-99
100	garnitura chiuloasa	cylinder head gasket	psrx400-1-100
101	garnitura toba esapament	muffler insulating pad	psrx400-1-101
102	toba esapament	muffler assy.	psrx400-1-102
103	protectie toba esapament	muffler cover assy.	psrx400-1-103
104	piulita M6	self-locking nut	psrx400-1-104
105	deflector	wind shield	psrx400-1-105
106	surub M6x16	bolt	psrx400-1-106
107	prezon	different-shaped double-head bolts ii	psrx400-1-107
108	modul aprindere	ignition assy.	psrx400-1-108
109	prezon	dual-head bolts	psrx400-1-109
110	surub m6x30	bolt	psrx400-1-110
111	prezon	different-shaped double-head bolts ii	psrx400-1-111
112	carcasa ventilator	the transparent cover	psrx400-1-112
113	ansamblu demaror	pull starter assy.	psrx400-1-113
114	piulita M6	cap nut	psrx400-1-114
115	capota	the transparent cover	psrx400-1-115
116	placa control acceleratie	plate control	psrx400-1-116
117	surub m6x10	screw m6x10	psrx400-1-117

Producător motoutilaje

Documentatie tehnică



Nr.crt	Denumire produs	Product name	Cod comanda
1	surub cutit	inch hex flange bolts	psrx400-2-1
2	saiba	blade washer	psrx400-2-2
3	cutit	blade	psrx400-2-3
4	cuplaj cutit	blade adapter	psrx400-2-4
5	pana	long key for crankshaft	psrx400-2-5
6	fulie	small belt wheel	psrx400-2-6
7	saiba	blade washer	psrx400-2-7
8	surub	hexagon screws	psrx400-2-8
9	surub	hexagon head self tapping screws	psrx400-2-9
10	aparatoare curea	belt cover	psrx400-2-10
11	ornament fata	front mask	psrx400-2-11
12	ornament	front mask	psrx400-2-12
13	surub	phillips flat head self tapping screw	psrx400-2-13

Producător motoutilaje

Documentatie tehnică

14	surub m6x12	bolt	psrx400-2-14
15	surub	phillips flat head self tapping screw	psrx400-2-15
16	piulita m6	self-locking nut	psrx400-2-16
17	carcasa	deck welding assy.	psrx400-2-17
18	arc	pull spring for pull rod	psrx400-2-18
19	tija ajustare inaltime	height adjustment pull rod	psrx400-2-19
20	siguranta	r type pin	psrx400-2-20
21	piulita m8	self-locking nut	psrx400-2-21
22	surub m8x16	hex flange bolts	psrx400-2-22
23	placa prindere st	left bracket	psrx400-2-23
24	motor	petrol engine	psrx400-2-24
25	stut	inlet	psrx400-2-25
26	stut	inlet	psrx400-2-26
27	o-ring $\phi 11.2 \times \phi 2.65$	"o" ring	psrx400-2-27
28	blocator cablu	cable stopper	psrx400-2-28
29	piulita m5	self-locking nut	psrx400-2-29
30	surub m5x12	hexagon head bolts	psrx400-2-30
31	suport sac	rear discharge cover dust proof board	psrx400-2-31
32	capac	mulching plug	psrx400-2-32
33	placa ajustare inaltime	board for height adjuster	psrx400-2-33
34	placa prindere dr	right bracket	psrx400-2-34
35	garnitura	gasket	psrx400-2-35
35a	dispozitiv autoblocare	self-locking device	psrx400-2-35a
36	blocator	block	psrx400-2-36
37	brida	control board upper cover	psrx400-2-37
38	arc	cover spring	psrx400-2-38
39	tija	mulch shaft	psrx400-2-39
40	arc	mulch board spring	psrx400-2-40
41	capac evacuare laterala	mulching board	psrx400-2-41
42	deflector lateral	side discharge cover	psrx400-2-42
43	placa prindere deflector	bracket plate for defelctor	psrx400-2-43
44	surub m6x10	self tapping screw	psrx400-2-44
45	capac roata fata	inner cover of hub	psrx400-2-45
46	roata fata	wheel assy.	psrx400-2-46
47	saiba	washer	psrx400-2-47
48	ax roti fata	front drive assy.	psrx400-2-48
49	curea S420-Z	v belt	psrx400-2-49
50	ansamblu transmisie	selfpropelled assy.	psrx400-2-50
51	bolt	bratchet pin	psrx400-2-51
52	bucsa	rear wheel axle sleeve	psrx400-2-52
53	distantier	selfpropelled ratchet washer	psrx400-2-53

Producător motoutilaje

Documentatie tehnică

54	saiba elastica	spring washer	psrx400-2-54
55	placa	self propelled plate	psrx400-2-55
56	roata dintata	ratchet wheel I	psrx400-2-56
57	distantier	rear wheel axle sleeve	psrx400-2-57
58	placa	displacement pressure plate after	psrx400-2-58
59	roata dintata	ratchet wheel I	psrx400-2-59
60	capac roata spate	outer cover of hub	psrx400-2-60
61	roata spate	wheel assy.	psrx400-2-61
62	capac	inner cover of hub	psrx400-2-62
63	saiba	gasket	psrx400-2-63
64	ax roti spate	rear drive assy.	psrx400-2-64
65	maner ajustare inaltime	height adjustment ball	psrx400-2-65
66	sac colector	fabric grass bag	psrx400-2-66
67	cadru sac colector	fabric metal frame	psrx400-2-67
68	saiba blocatoare	lock washer	psrx400-2-68
69	tija	shaft for rear discharge cover	psrx400-2-69
70	arc	cover spring	psrx400-2-70
71	capac evacuare	rear discharge cover	psrx400-2-71
72	placa	blade washer	psrx400-2-72
73	capac sac colector	top of grass box	psrx400-2-73
74	sita capac	filter net of grass bag	psrx400-2-74
75	manson	foam pipe	psrx400-2-75
76	maner actionare roti	self-propelled lever	psrx400-2-76
77	maner	upper handrail	psrx400-2-77
78	placa	lever guard	psrx400-2-78
79	surub m6x30	bolt	psrx400-2-79
80	maner acceleratie	throttle box handle	psrx400-2-80
81	surub m5x30	hex flange bolts	psrx400-2-81
82	pupitru	snow blower panel	psrx400-2-82
83	garnitura	resilient washer	psrx400-2-83
84	saiba	large flat washer	psrx400-2-84
85	maneta acceleratie	throttle lever	psrx400-2-85
86	carlig	hook	psrx400-2-86
87	piulita	cap nut	psrx400-2-87
88	cablu acceletatie	throttle calbe	psrx400-2-88
89	maner blocare	quick fix handle	psrx400-2-89
90	bolt	pin	psrx400-2-90
91	blocator	lock for fast fix handle	psrx400-2-91
92	saiba	lower handrail	psrx400-2-92
93	suport maner	half round head square neck bolts	psrx400-2-93
94	surub	screw	psrx400-2-94

Producător motoutilaje

Documentatie tehnică

95	saiba	flat washer	psrx400-2-95
96	rozeta	triangle knob	psrx400-2-96
97	piulita	hexagon nut	psrx400-2-97
98	clema	fastener	psrx400-2-98
99	rozeta	triangle knob	psrx400-2-99
100	cablu motor stop	brake cable	psrx400-2-100
101	cablu actionare roti	selfpropelled cable	psrx400-2-101
102	placa prindere	brake cable assy plate	psrx400-2-102
103	maneta motor stop	stop lever	psrx400-2-103
104	arc	spring	psrx400-2-104