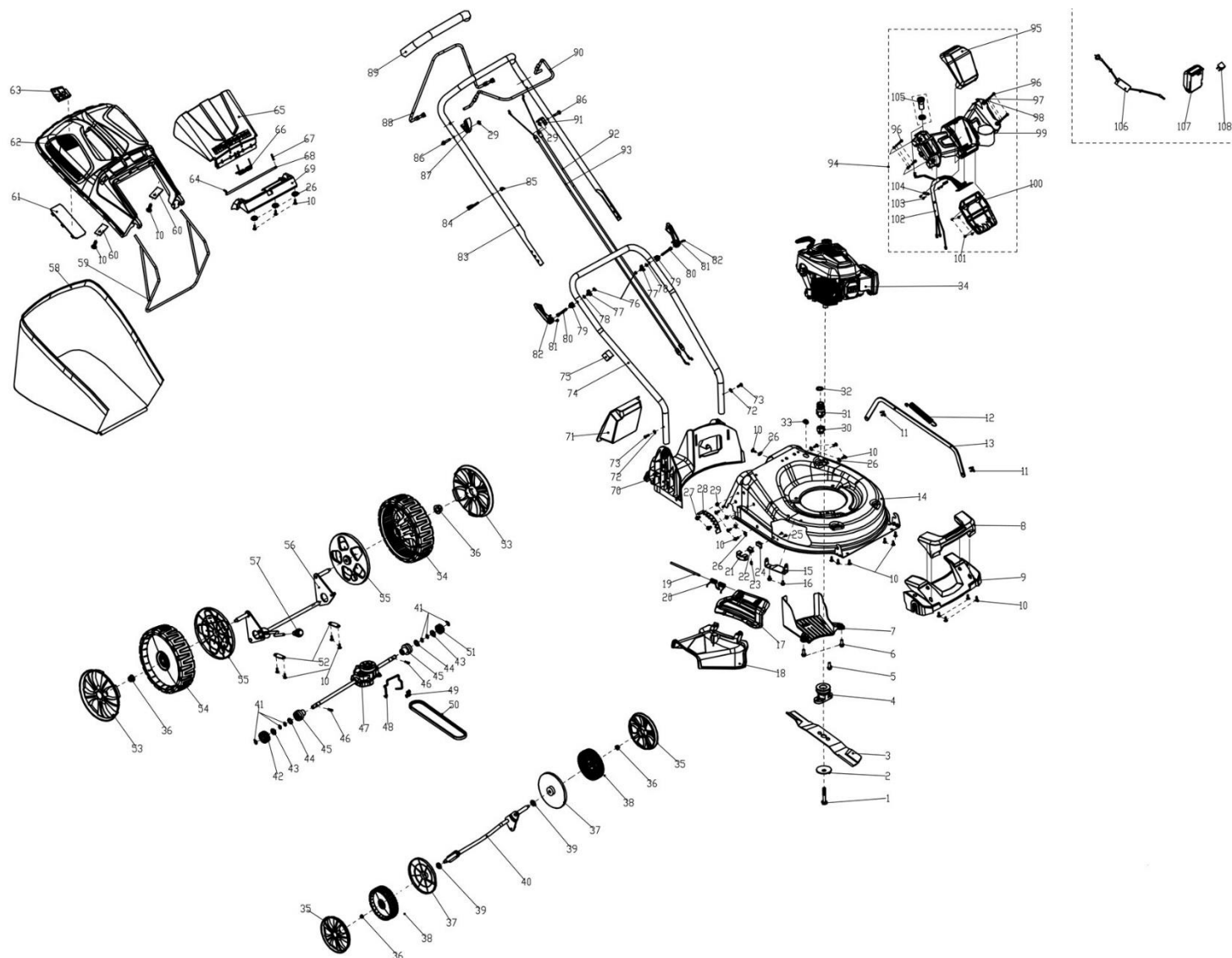


## Documentatie tehnica masina de gazon Ruris RX333



Nr.crt	Denumire produs	Product name	Cod comanda
1	surub cutit	blade bolt	psrx333-2-1
2	saiba	blade washer	psrx333-2-2
3	cutit	the blade assembly	psrx333-2-3
4	suport cutit	blade adapter	psrx333-2-4
5	surub M8X25	hexagon head bolts	psrx333-2-5
6	surub M8X30	hex flange bolts	psrx333-2-6
7	aparatoare curea	belt cover	psrx333-2-7
8	maner	face twist before hand	psrx333-2-8

## Producător motoutilaje

## Documentatie tehnică

9	suport fata	front mask	psrx333-2-9
10	surub ST6.3X14	phillips flat head self tapping screw	psrx333-2-10
11	siguranta	type d ring	psrx333-2-11
12	arc	selfpropelled spring	psrx333-2-12
13	pirghie	height adjustment pull rod	psrx333-2-13
14	carcasa	deck welding assy.	psrx333-2-14
15	placa	bracket plate for defelctor	psrx333-2-15
16	surub M6X10	self tapping screw	psrx333-2-16
17	placa etansare	mulching board	psrx333-2-17
18	capac evacuare lateral	side discharge cover	psrx333-2-18
19	tija	mulch shaft	psrx333-2-19
20	arc	mulch board spring	psrx333-2-20
21	brida	control board upper cover	psrx333-2-21
21a	dispozitiv autoblocare	self-locking device	psrx333-2-21a
22	blocator	block	psrx333-2-22
23	arc	cover spring	psrx333-2-23
24	garnitura	gasket	psrx333-2-24
25	surub 4x14	cross recessed countersunk head tapping screws	psrx333-2-25
26	saiba	flat gasket	psrx333-2-26
27	surub 6X12	bolt	psrx333-2-27
28	placa ajustare inaltime	board for height adjuster	psrx333-2-28
29	surubM6	self-locking nut	psrx333-2-29
30	piulita	nut	psrx333-2-30
31	stut	inlet	psrx333-2-31
32	o-ring	o ring	psrx333-2-32
33	blocator cablu	cable stopper	psrx333-2-33
34	motor	petrol engine	psrx333-2-34
35	capac roata fata	inner cover of hub	psrx333-2-35
36	piulitaM8	self-locking nut	psrx333-2-36
37	capac	inner cover of hub	psrx333-2-37
38	roata fata	wheel assy.	psrx333-2-38
39	saiba	resilient washer	psrx333-2-39
40	ax roti fata	front drive assy.	psrx333-2-40
41	saiba elastica	spring washer	psrx333-2-41
42	roata dintata	ratchet wheel I	psrx333-2-42
43	siguranta	selfpropelled ratchet washer	psrx333-2-43
44	saiba	flat gasket	psrx333-2-44
45	bucsa	rear wheel axle sleeve	psrx333-2-45
46	siguranta	bratchet pin	psrx333-2-46
47	transmisie	petrol engine	psrx333-2-47
48	clema	brake spring	psrx333-2-48

## Producător motoutilaje

## Documentatie tehnică

49	arc	selfpropelled spring	psrx333-2-49
50	curea	v belt	psrx333-2-50
51	roata dintata	ratchet wheel I	psrx333-2-51
52	placa	rear plate	psrx333-2-52
53	capac roata spate	outer cover of hub	psrx333-2-53
54	roata spate	wheel assy.	psrx333-2-54
55	capac	inner cover of hub	psrx333-2-55
56	ax roti spate	rear drive assy.	psrx333-2-56
57	tija ajustare inaltime	height adjustment ball	psrx333-2-57
58	sac colector	fabric grass bag	psrx333-2-58
59	cadru sac colector	fabric metal frame	psrx333-2-59
60	placa	blade washer	psrx333-2-60
61	capac	protection board of grass bag	psrx333-2-61
62	capac sac colector	grass on the box	psrx333-2-62
63	capac supraplin	air-out board of fabric grass bag cover	psrx333-2-63
64	siguranta	washer	psrx333-2-64
65	capac evacuare	rear discharge cover	psrx333-2-65
66	arc	cover spring	psrx333-2-66
67	bolt	r type pin	psrx333-2-67
68	tija	shaft for rear discharge cover	psrx333-2-68
69	suport sac	rear discharge base	psrx333-2-69
70	deflector	rear baffle	psrx333-2-70
71	capac	mulching plug	psrx333-2-71
72	saiba	flat gasket	psrx333-2-72
73	surub M8X19	cross recessed pan head tapping screws	psrx333-2-73
74	suport maner	lower handrail	psrx333-2-74
75	clema	fastener	psrx333-2-75
76	piulita M8	hexagon nut	psrx333-2-76
77	rozeta	triangle knob	psrx333-2-77
78	saiba	flat washer	psrx333-2-78
79	blocator	lock for fast fix handle	psrx333-2-79
80	maner blocare	quick fix handle	psrx333-2-80
81	bolt	pin	psrx333-2-81
82	maner blocare	quick fix knob	psrx333-2-82
83	maner	upper handrail	psrx333-2-83
84	carlig	rope guide	psrx333-2-84
85	piulita M6	cap nut	psrx333-2-85
86	surub M6X 30	bolt	psrx333-2-86
87	placa	lever guard	psrx333-2-87
88	maneta actionare roti	self-propelled lever	psrx333-2-88
89	manson	foam pipe	psrx333-2-89

## Producător motoutilaje

## Documentatie tehnică

90	maneta motor stop	stop lever	psrx333-2-90
91	suport cablu motor stop	brake cable assy plate	psrx333-2-91
92	cablu motor stop	brake cable	psrx333-2-92
93	cablu actionare roti	selfpropelled cable	psrx333-2-93
94	surub M5	hexagon head bolts	psrx333-2-94
95	pupitru	control board	psrx333-2-95
96	saiba elastica	resilient washer	psrx333-2-96
97	saiba plata	large flat washer	psrx333-2-97
98	piulita M5	self-locking nut	psrx333-2-98