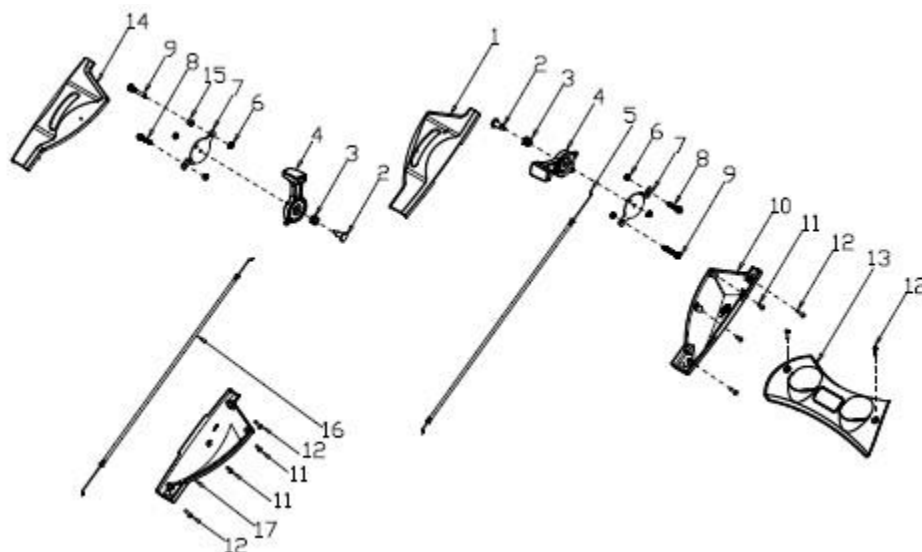
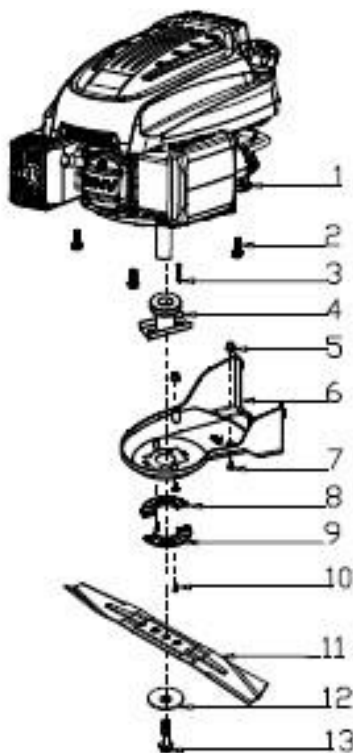


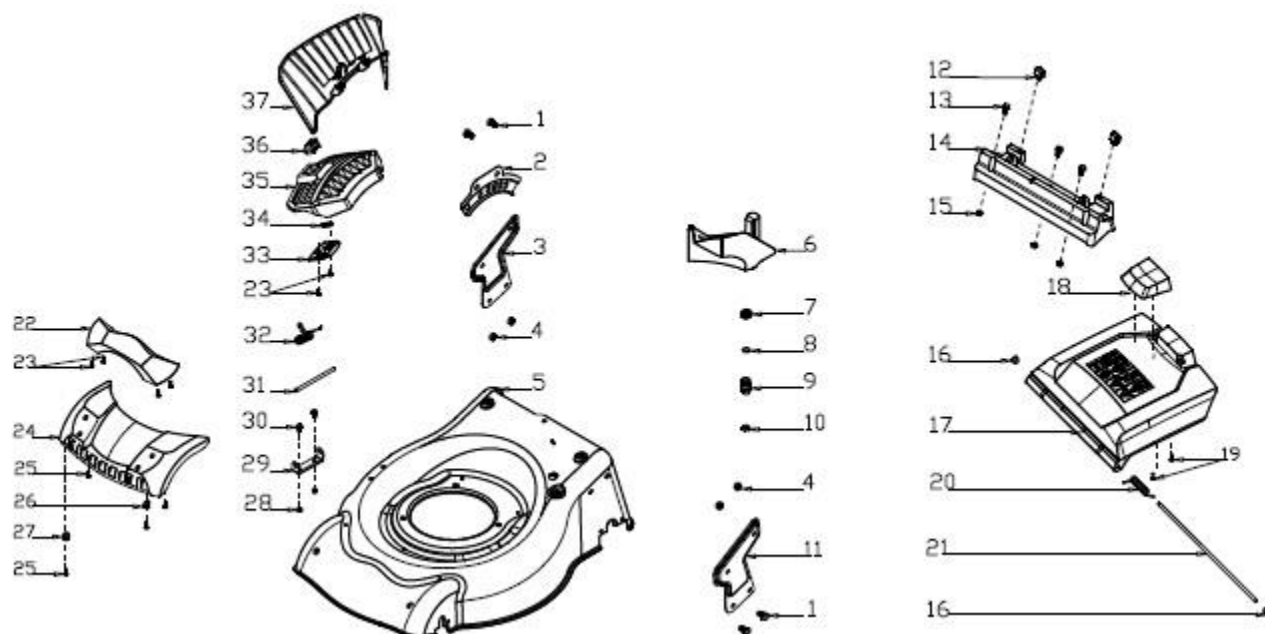
Nr.crt	Denumire produs	Product name	Cod comanda
1	maneta actionare roti	Wheel drive lever	psrx300s-1-1
2	maneta motor stop	Engine stop lever	psrx300s-1-2
3	suport cablu	Limiting Stopper	psrx300s-1-3
4	manson maner	Foam Pipe	psrx300s-1-4
5	maner	Upper Handle -F	psrx300s-1-5
6	piulita	Nut	psrx300s-1-6
7	clema fixare cabluri	Cable Fixing Clamp	psrx300s-1-7
8	cablu motor stop	Brake Cable	psrx300s-1-8
9	cablu actionare roti	Clutch cable	psrx300s-1-9
10	suport maner	Lower Handle F	psrx300s-1-10
11	maner rapid	Fast handle	psrx300s-1-11
12	bolt	Pin	psrx300s-1-12
13	bolt	Pin	psrx300s-1-13
14	saiba blocatoare	Fast handle Limit	psrx300s-1-14
15	saiba	Flat Washer	psrx300s-1-15
16	rozeta	Knob	psrx300s-1-16
17	carlig	Rope Guide	psrx300s-1-17
18	suport cablu	Cable Support	psrx300s-1-18
19	surub	Screw	psrx300s-1-19
20	piulita	Nut	psrx300s-1-20
21	surub	Screw	psrx300s-1-21
22	dop	Handle Plug	psrx300s-1-22



Nr.crt	Denumire produs	Product name	Cod comanda
1	capac superior stanga	Upper Cover of Left Panel	psrx300s-2-1
2	surub	Screw	psrx300s-2-2
3	arc	Spring	psrx300s-2-3
4	maneta	Handle	psrx300s-2-4
5	cablu	Cable	psrx300s-2-5
6	piulita	Nut	psrx300s-2-6
7	placa	Plate	psrx300s-2-7
8	surub	Screw	psrx300s-2-8
9	surub	Screw	psrx300s-2-9
10	capac inferior stanga	Lower Cover of Left Panel	psrx300s-2-10
11	surub	Screw	psrx300s-2-11
12	surub	Screw	psrx300s-2-12
13	panou	Handle Panel	psrx300s-2-13
14	capac superior dreapta	Upper Cover of Right Panel	psrx300s-2-14
15	bucsa	Bush	psrx300s-2-15
16	cablu acceleratie	Speed control cable	psrx300s-2-16
17	capac inferior dreapta	Lower Cover of Right Panel	psrx300s-2-17



Nr.crt	Denumire produs	Product name	Cod comanda
1	motor	Engine	psrx300s-3-1
2	surub	Screw	psrx300s-3-2
3	pana	Flat Key	psrx300s-3-3
4	suport cutit	Blade adapter	psrx300s-3-4
5	surub	Screw Cap	psrx300s-3-5
6	protectie curea	Belt Cover	psrx300s-3-6
7	surub	Screw	psrx300s-3-7
8	placa capac curea	Belt Cover Plate	psrx300s-3-8
9	placa capac curea	Belt Cover Plate	psrx300s-3-9
10	surub	Screw	psrx300s-3-10
11	cutit	18" Blade	psrx300s-3-11
12	saiba cutit	Blade Washer	psrx300s-3-12
13	surub cutit	Blade Bolt	psrx300s-3-13

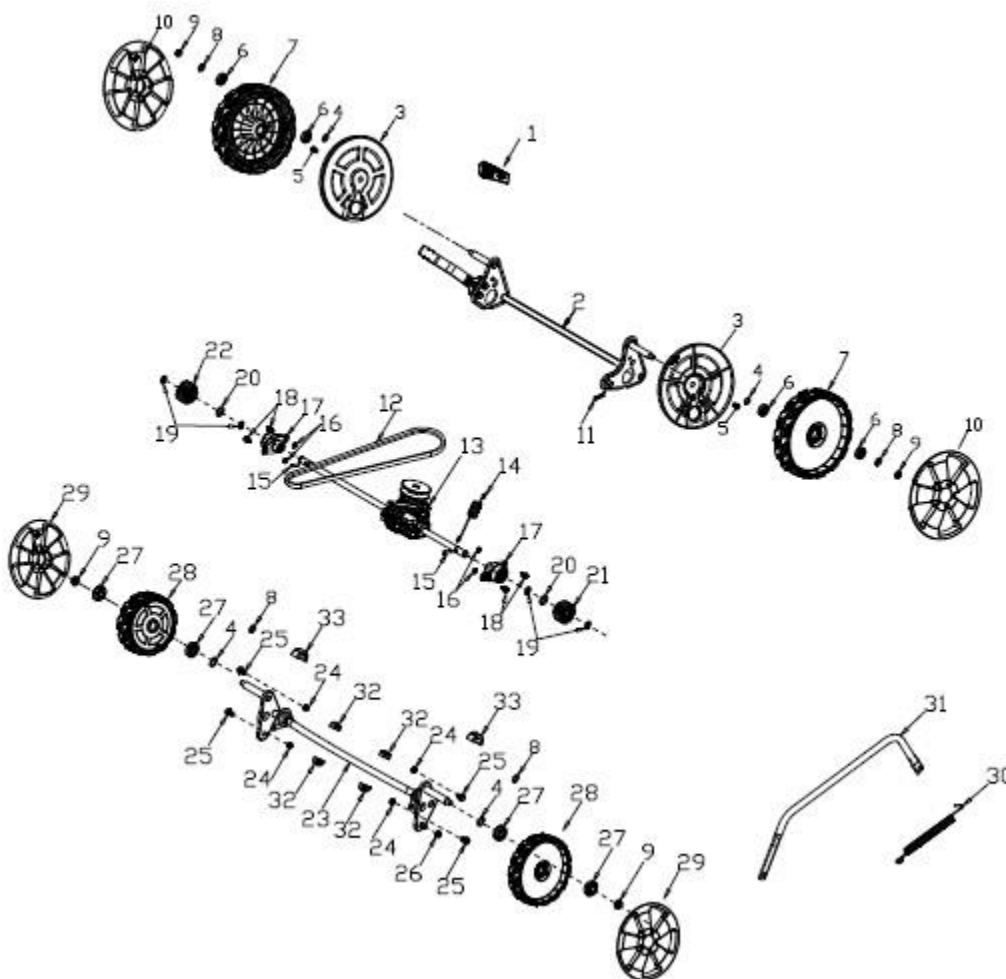


Nr.crt	Denumire produs	Product name	Cod comanda
1	surub	Screw	psrx300s-4-1
2	placa ajustare inaltime	Height Adjustment Plate	psrx300s-4-2
3	suport dreapta	Right Bracket	psrx300s-4-3
4	piulita	Nut	psrx300s-4-4
5	carcasa	Deck	psrx300s-4-5
6	capac mulching	Mulching Plug	psrx300s-4-6
7	manson	Cable Sleeve	psrx300s-4-7
8	siguranta	Seal Ring	psrx300s-4-8
9	saiba	Washing Linker	psrx300s-4-9
10	piulita	Plastic Nut	psrx300s-4-10
11	suport stanga	Left Bracket	psrx300s-4-11
12	suport capac	Rear Cover Support	psrx300s-4-12
13	piulita	Nut	psrx300s-4-13
14	suport capac	Rear Cover Pedestal	psrx300s-4-14
15	piulita	Nut	psrx300s-4-15
16	siguranta	plug	psrx300s-4-16
17	capac spate	Rear Cover-C	psrx300s-4-17
18	capac	Decorative plate of Rear Cover	psrx300s-4-18
19	surub	Screw	psrx300s-4-19
20	arc	Rear Cover Spring	psrx300s-4-20
21	ax	Rear Cover Shaft	psrx300s-4-21
22	maner fata	Front Face Handle-B	psrx300s-4-22

Producător motoutilaje

Documentatie tehnică

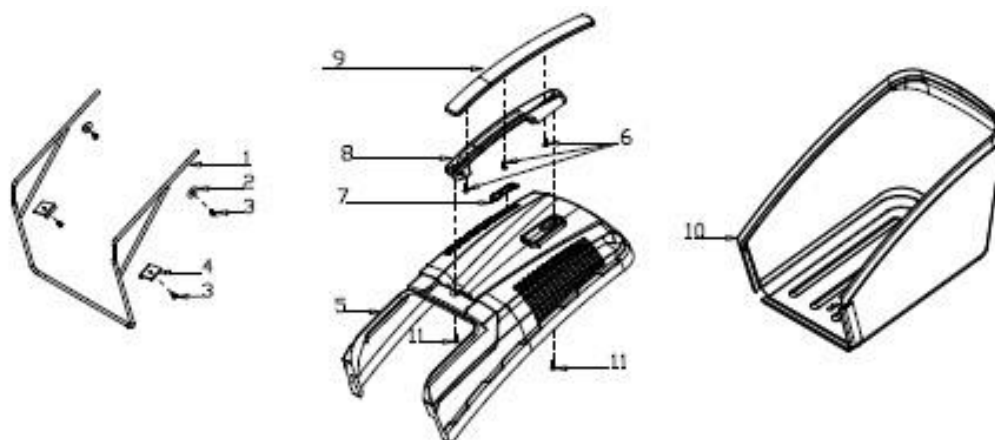
23	surub	Screw	psrx300s-4-23
24	capac fata	Front Face-B	psrx300s-4-24
25	surub	Screw	psrx300s-4-25
26	saiba	Washer L	psrx300s-4-26
27	saiba	Washer R	psrx300s-4-27
28	piulita	Nut	psrx300s-4-28
29	suport	Side Discharge Bracket	psrx300s-4-29
30	piulita	Nut	psrx300s-4-30
31	ax	Side Discharge Cover Shaft	psrx300s-4-31
32	arc	Side Discharge Cover Spring	psrx300s-4-32
33	capac	Cover Plate	psrx300s-4-33
34	arc	Spring	psrx300s-4-34
35	capac lateral	Side Discharge Cover	psrx300s-4-35
36	sistem blocare	Lock	psrx300s-4-36
37	ghidaj evacuare laterala	Side-Discharge Guiding Board	psrx300s-4-37



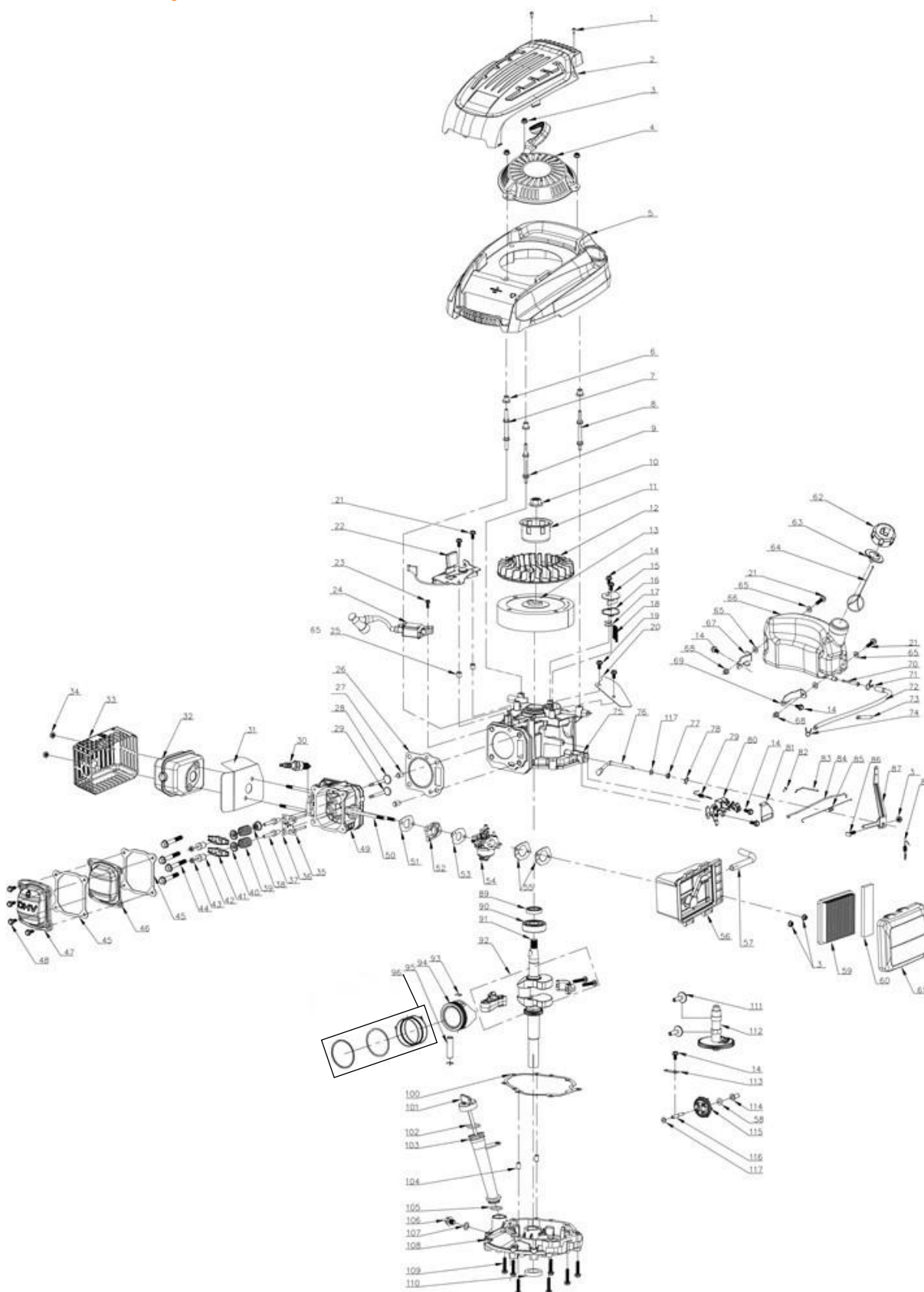
Producător motoutilaje

Documentatie tehnică

Nr.crt	Denumire produs	Product name	Cod comanda
1	levier ajustare inaltime	Height Adjustment Handle-E	psrx300s-5-1
2	ax roti spate	Rear Wheel Shaft Assy(H)	psrx300s-5-2
3	capac	10" Inner Wheel Cover	psrx300s-5-3
4	saiba	Spring Washer	psrx300s-5-4
5	surub	Screw	psrx300s-5-5
6	rulment	Ball Bearing	psrx300s-5-6
7	roata spate	10" Wheel Assy	psrx300s-5-7
8	saiba	Flat Washer	psrx300s-5-8
9	piulita	Nut	psrx300s-5-9
10	ornament	10" Outer Wheel Cover	psrx300s-5-10
11	bolt despicat	Split Pin	psrx300s-5-11
12	curea li650	Belt Li650	psrx300s-5-12
13	ansamblu transmisie	Gearbox	psrx300s-5-13
14	arc	Spring	psrx300s-5-14
15	bolt	Pin	psrx300s-5-15
16	piulita	Nut	psrx300s-5-16
17	lagar	Shaft Sleeve	psrx300s-5-17
18	surub	Screw	psrx300s-5-18
19	siguranta	Lock Ring	psrx300s-5-19
20	saiba	Flat Washer	psrx300s-5-20
21	roata dintata stanga	Left Gear	psrx300s-5-21
22	roata dintata dreapta	Right Gear	psrx300s-5-22
23	ax roti fata	Front Wheel Shaft	psrx300s-5-23
24	piulita	Nut	psrx300s-5-24
25	surub	Screw	psrx300s-5-25
26	piulita	Nut	psrx300s-5-26
27	rulment	Bearing	psrx300s-5-27
28	roata fata	7" Wheel-C	psrx300s-5-28
29	ornament	7" Outer Wheel Cover	psrx300s-5-29
30	arc	Height Adjustment Spring	psrx300s-5-30
31	tija ajustare inaltime	Height Adjustment Connecting Rod	psrx300s-5-31
32	bucsa	Shaft Sleeve	psrx300s-5-32
33	bucsa	Bush	psrx300s-5-33



Nr.crt	Denumire produs	Product name	Cod comanda
1	cadru metalic	Metal Bracket	psrx300s-6-1
2	saiba	Flat Washer	psrx300s-6-2
3	surub	Screw	psrx300s-6-3
4	placa fixare	fixed plate	psrx300s-6-4
5	capac sac colector	Plastic Cover	psrx300s-6-5
6	surub	Screw	psrx300s-6-6
7	indicator	Indicated Board	psrx300s-6-7
8	maner	Collector Handle	psrx300s-6-8
9	capac	Collector Handle cover	psrx300s-6-9
10	sac colector	Grass bag	psrx300s-6-10
11	surub	Screw	psrx300s-6-11



Nr.crt	Denumire produs	Product name	Cod comanda
1	surub	Screw	psrx300s-7-1
2	capota	Engine Cover- D	psrx300s-7-2
3	piulita M6	Nut M6	psrx300s-7-3
4	demaror	Recoil Start Assy	psrx300s-7-4
5	carcasa ventilator	Blower Housing	psrx300s-7-5
6	bucsa	Bush	psrx300s-7-6
7	prezon	Bolt I	psrx300s-7-7
8	prezon	Bolt II	psrx300s-7-8
9	prezon	Bolt III	psrx300s-7-9
10	piulita	Nut	psrx300s-7-10
11	cuplaj	Start-up Hub	psrx300s-7-11
12	ventilator	Fan	psrx300s-7-12
13	volanta	Flywheel	psrx300s-7-13
14	surub	Screw	psrx300s-7-14
15	placa	Respirator Cover Plate	psrx300s-7-15
16	garnitura	Gasket of Respirator Cover	psrx300s-7-16
17	supapa	Valve Element	psrx300s-7-17
18	sita	Lubricate Filtering Net	psrx300s-7-18
19	surub	Bolt	psrx300s-7-19
20	placa	Back plate	psrx300s-7-20
21	surub M6x22	Screw M6*22	psrx300s-7-21
22	frana volanta	Brake Assy	psrx300s-7-22
23	surub M6x25	Screw M6*25	psrx300s-7-23
24	modul aprindere	Ignition	psrx300s-7-24
25	bucsa	bush	psrx300s-7-25
26	garnitura chiulasa	Gasket of Cylinder Head Cover	psrx300s-7-26
27	bucsa centrare	Locating Pin	psrx300s-7-27
28	supapa admisie	Inlet valve	psrx300s-7-28
29	supapa evacuare	Outlet valve	psrx300s-7-29
30	bujie	Spark Plug	br4t
31	garnitura evacuare	Gasket of Muffler	psrx300s-7-31
32	toba esapament	Muffler Assy	psrx300s-7-32
33	capac esapament	Muffler Cover Assy	psrx300s-7-33
34	piulita	Nut	psrx300s-7-34
35	placuta ghidare	Handspike Assy	psrx300s-7-35
36	tija	Guide Board of Handspike	psrx300s-7-36
37	prezoane	Rocker Support Bolt of Valve	psrx300s-7-37
38	simering supapa	Oil Seal of valve	psrx300s-7-38

Producător motoutilaje

Documentatie tehnică

39	arc supapa	Spring of Valve	psrx300s-7-39
40	taler supapa	Spring Coil of outlet Valve	psrx300s-7-40
41	culbutori	Rocker of Valve	psrx300s-7-41
42	piulita	Adjust Nut of Valve	psrx300s-7-42
43	piulita	Combined Nut	psrx300s-7-43
44	surub M8x45	Screw M8*45	psrx300s-7-44
45	garnitura capac culbutori	Gasket of Cylinder Head Cover	psrx300s-7-45
46	capac culbutori	Cylinder Head Inner Cover	psrx300s-7-46
47	capac culbutori	Cylinder Head Outer Cover	psrx300s-7-47
48	piulita	Nut	psrx300s-7-48
49	chiulasa	Cylinder Head Assy	psrx300s-7-49
50	prezon m6x92	Two Stud Bolt M6*92	psrx300s-7-50
51	garnitura izolator	Paper Gasket of Inlet Pipe	psrx300s-7-51
52	izolator	Air Inlet Pipe	psrx300s-7-52
53	garnitura carburator	Paper Gasket of Carburetor	psrx300s-7-53
54	carburator	Carburetor Assy(139V)	psrx300s-7-54
55	garnitura filtru aer	Paper Gasket of Air Filter	psrx300s-7-55
56	suport filtru aer	Air Filter Pedestal	psrx300s-7-56
57	furtun epurator 8x12x165	Exhaust Pipe $\phi 8*\phi 12*165$	psrx300s-7-57
58	saiba	Washer	psrx300s-7-58
59	filtru aer	Paper Filter Element	psrx300s-7-59
60	element filtrant	Filter Element	psrx300s-7-60
61	capac filtru aer	Air Filter Upper Cover	psrx300s-7-61
62	buson rezervor	Fuel Tank Cap	psrx300s-7-62
63	garnitura buson	Seal Gasket of Fuel Tank Cap	psrx300s-7-63
64	fir fluture	Connecting Rope	psrx300s-7-64
65	garnitura	Gasket	psrx300s-7-65
66	rezervor	Fuel Tank	psrx300s-7-66
67	suport rezervor dreapta	Right Bracket of Fuel Tank	psrx300s-7-67
68	piulita	Nut	psrx300s-7-68
69	suport rezervor stanga	Left Bracket of Fuel Tank	psrx300s-7-69
70	filtru combustibil	Filtering Net Duct of Fuel	psrx300s-7-70
71	colier	Oil Pipe Circlip I	psrx300s-7-71
72	furtun	Oil Pipe	psrx300s-7-72
73	clema	Oil Pipe Fixing Clip	psrx300s-7-73
74	colier	Oil Pipe Circlip II	psrx300s-7-74
75	bloc motor	Crankcase Assy	psrx300s-7-75
76	tija regulator	Speed Regulator Rocker Spindle	psrx300s-7-76
77	oring 6x11x4	Oil Seal 6*11*4	psrx300s-7-77
78	siguranta	Springness Split Pin	psrx300s-7-78
79	arc	Speed Regulator Spring	psrx300s-7-79

Producător motoutilaje

Documentatie tehnică

80	ansamblu choke regulator	Speed Regulator choke assy	psrx300s-7-80
81	placa	Plate	psrx300s-7-81
82	surub	Screw	psrx300s-7-82
83	tija	Handspike of choke	psrx300s-7-83
84	tija	Handspike of Valve	psrx300s-7-84
85	arc	Spring of Valve	psrx300s-7-85
86	surub M6x23	"T" type Bolt M6*23	psrx300s-7-86
87	brat regulator	Speed Regulator Rocker	psrx300s-7-87
88	arc	Speed Regulator Vice Spring	psrx300s-7-88
89	simering	Oil Seal 6*11*4	psrx300s-7-89
90	rulment	Ball bearing	psrx300s-7-90
91	arbore cotit	Crankshaft Assy	psrx300s-7-91
92	ansamblu biela	Connecting Rod Assy	psrx300s-7-92
93	siguranta bolt	Circlip of Piston Pin	psrx300s-7-93
94	piston	Piston Assy	psrx300s-7-94
95	bolt piston	Piston Pin	psrx300s-7-95
96	set segmenti	Piston Rings sets	psrx300s-7-96
100	garnitura carter	Gasket of Crankcase	psrx300s-7-100
101	joja	Lubricating Gauge	psrx300s-7-101
102	oring 20x2.3	"o" Ring $\phi 20 * \phi 2.3$	psrx300s-7-102
103	racord joja	Lubricating Pipe Assy	psrx300s-7-103
104	bolt	Locating Pin of Crankcase	psrx300s-7-104
105	oring 21x2.3	"O" Ring $\phi 21 * \phi 2.3$	psrx300s-7-105
106	buson	Draining Oil Bolt	psrx300s-7-106
107	garnitura buson	Draining Oil Bolt Gasket	psrx300s-7-107
108	capac carter	Crankcase Cover	psrx300s-7-108
109	surub	Screw	psrx300s-7-109
110	simering 6x11x4	Oil Seal 6*11*4	psrx300s-7-110
111	tacheti	Tappet	psrx300s-7-111
112	ax came	Camshaft Assy	psrx300s-7-112
113	placa	Gear Shaft Hold-down Plate	psrx300s-7-113
114	culisa	Sliding Sleeve	psrx300s-7-114
115	pinion regulator	Gear Shaft Assy	psrx300s-7-115
116	ax regulator	Circlip of Gear shaft	psrx300s-7-116
117	oring 6.5x12x1	Gasket $\phi 6.5 * \phi 12 * \phi 1$	psrx300s-7-117