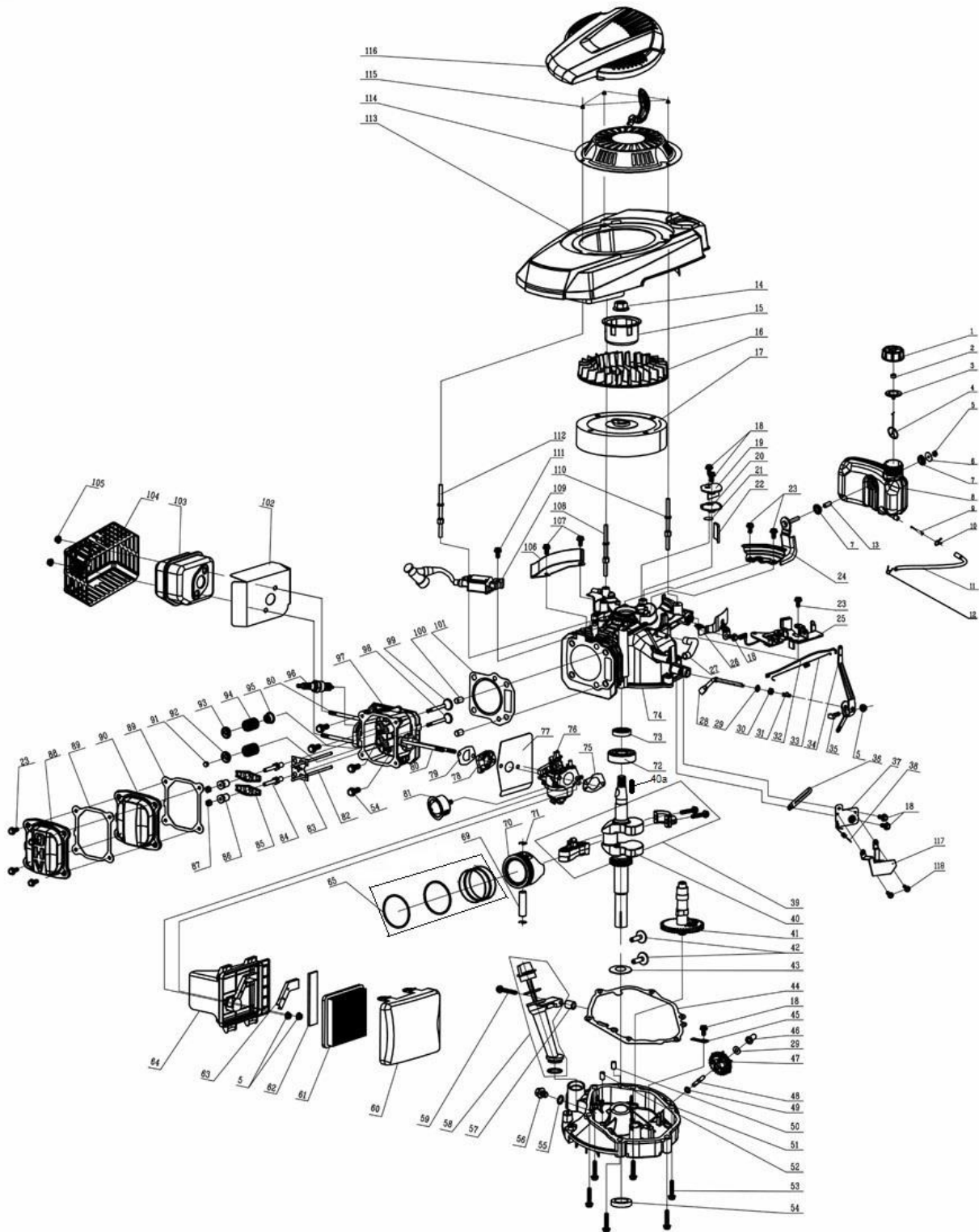


## Documentatie tehnica masina de gazon Ruris RX300



| Nr.crt | Denumire produs             | Product name                   | Cod comanda  |
|--------|-----------------------------|--------------------------------|--------------|
| 1      | buson rezervor              | fuel tank cap                  | psrx300-1-1  |
| 2      | burete                      | fuel tank cap sponge           | psrx300-1-2  |
| 3      | garnitura                   | fuel tank cap seal gasket      | psrx300-1-3  |
| 4      | fir fluture                 | connect cable of fuel cap      | psrx300-1-4  |
| 5      | piulita M6                  | hex flange nuts                | psrx300-1-5  |
| 6      | saiba                       | the oil tank mount big washer  | psrx300-1-6  |
| 7      | amortizor rezervor          | tank damping rubber pad        | psrx300-1-7  |
| 8      | rezervor combustibil        | fuel tank body                 | psrx300-1-8  |
| 9      | filtru combustibil          | fuel oil screen pipe           | psrx300-1-9  |
| 10     | colier                      | fuel pipe lock clamp I         | psrx300-1-10 |
| 11     | furtun alimentare           | fuel pipe                      | psrx300-1-11 |
| 12     | colier                      | fuel pipe lock clamp ii        | psrx300-1-12 |
| 13     | bucsa                       | fuel tank mounting bushing     | psrx300-1-13 |
| 14     | piulita M14x1.5             | hex flange nuts                | psrx300-1-14 |
| 15     | cuplaj                      | starter hub                    | psrx300-1-15 |
| 16     | ventilator                  | fan                            | psrx300-1-16 |
| 17     | volanta                     | flywheel assy                  | psrx300-1-17 |
| 18     | surub M6x12                 | bolt                           | psrx300-1-18 |
| 19     | capac                       | respirator cover plate         | psrx300-1-19 |
| 20     | garnitura                   | respirator head gasket         | psrx300-1-20 |
| 21     | valva                       | respirator valve plate         | psrx300-1-21 |
| 22     | element filtrant            | oil filter net                 | psrx300-1-22 |
| 23     | surub M6x14                 | bolt                           | psrx300-1-23 |
| 24     | suport rezervor combustibil | main bracket of fuel tank      | psrx300-1-24 |
| 25     | frana volanta               | detent assy.                   | psrx300-1-25 |
| 26     | deflector                   | wind shield                    | psrx300-1-26 |
| 27     | furtun epurator             | waste pipe                     | psrx300-1-27 |
| 28     | ax regulator                | rate-limiting rocker arm shaft | psrx300-1-28 |
| 29     | garnitura                   | gasket                         | psrx300-1-29 |
| 30     | simering 6x11x4             | oil seal                       | psrx300-1-30 |
| 31     | siguranta                   | r type pin                     | psrx300-1-31 |
| 32     | tija regulator              | handspike of valve             | psrx300-1-32 |
| 33     | arc regulator               | valve spring                   | psrx300-1-33 |
| 34     | brat regulator              | throttle rocker arm            | psrx300-1-34 |
| 35     | surub M6x23                 | bolt                           | psrx300-1-35 |
| 36     | clema                       | clip                           | psrx300-1-36 |
| 37     | placa                       | single phrase throttle assy.   | psrx300-1-37 |
| 38     | arc acceleratie             | throttle control spring        | psrx300-1-38 |

## Producător motoutilaje

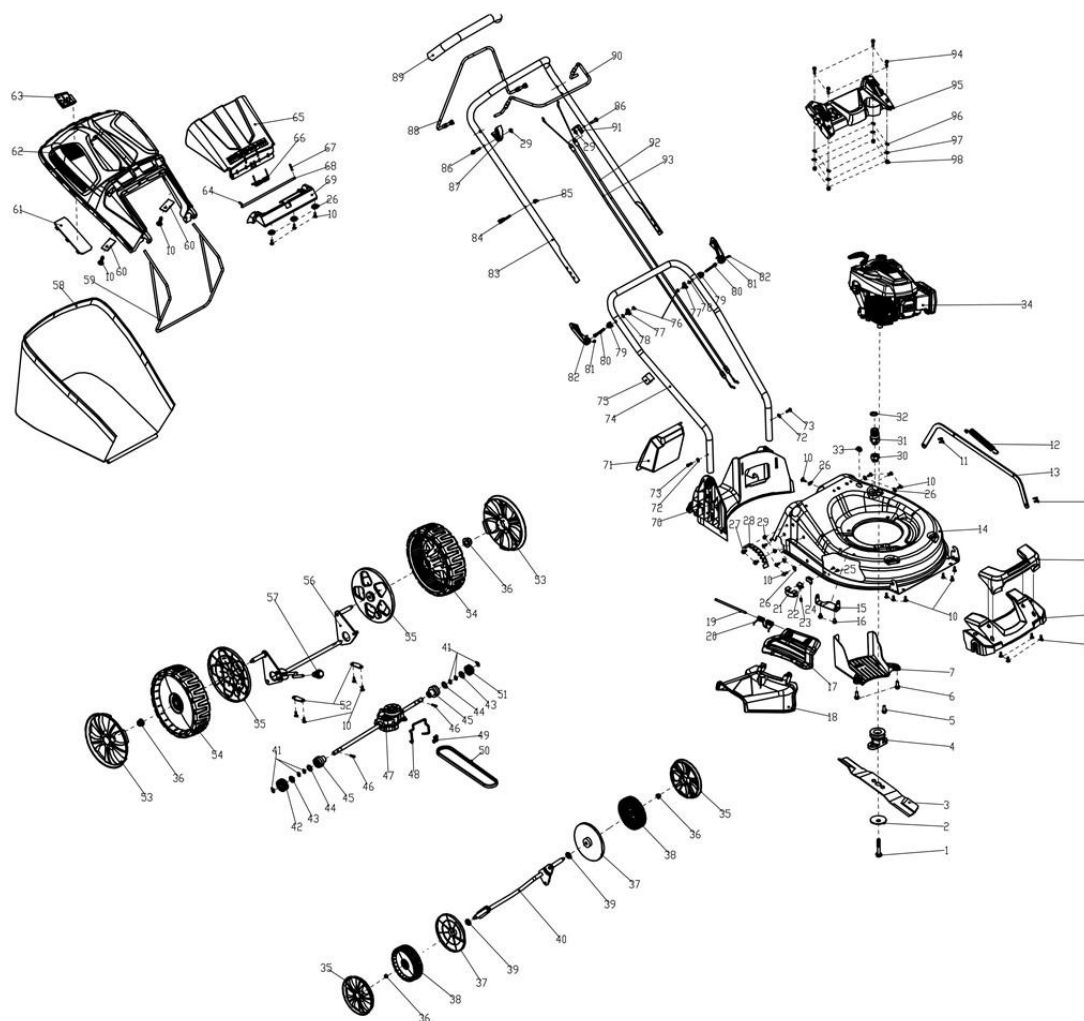
## Documentatie tehnică

|     |                        |  |               |
|-----|------------------------|--|---------------|
| 39  | ansamblu biela         | connecting rod assy.                   | psrx300-1-39  |
| 40  | arbore motor           | crankshaft assy.                       | psrx300-1-40  |
| 40a | pana                   | key                                    | psrx300-1-40a |
| 41  | ax came                | camshaft assy.                         | psrx300-1-41  |
| 42  | tachet                 | rocker                                 | psrx300-1-42  |
| 43  | saiba                  | clockwise gear gasket                  | psrx300-1-43  |
| 44  | garnitura capac carter | respirator head gasket                 | psrx300-1-44  |
| 45  | clema                  | rate-limiting gear shaft               | psrx300-1-45  |
| 46  | culisa                 | sliding sleeve                         | psrx300-1-46  |
| 47  | regulator turatie      | rete-limiting gear assy.               | psrx300-1-47  |
| 48  | ax regulator           | rate-limiting gear shaft               | psrx300-1-48  |
| 49  | garnitura              | gasket                                 | psrx300-1-49  |
| 50  | pin ghidare            | spacing pin                            | psrx300-1-50  |
| 51  | capac carter           | crank box cover                        | psrx300-1-51  |
| 52  | pin ghidare            | spacing pin                            | psrx300-1-52  |
| 53  | surub M8x50            | locking bolt                           | psrx300-1-53  |
| 54  | simering 25x38x7       | oil seal                               | psrx300-1-54  |
| 55  | garnitura              | oil drain bolt gasket                  | psrx300-1-55  |
| 56  | buson golire ulei      | oil drain bolt                         | psrx300-1-56  |
| 57  | bucsa                  | distance sleeve of lubricating setting | psrx300-1-57  |
| 58  | ansamblu joja ulei     | lubricating gauge assy                 | psrx300-1-58  |
| 59  | surub M6x50            | bolt                                   | psrx300-1-59  |
| 60  | capac filtru aer       | air filter upper cover                 | psrx300-1-60  |
| 61  | filtru aer             | paper filter                           | psrx300-1-61  |
| 62  | burete                 | coarse sponge filter                   | psrx300-1-62  |
| 63  | placa                  | exhaust gas cover board                | psrx300-1-63  |
| 64  | carcasa filtru aer     | air filter base assy.(ii)              | psrx300-1-64  |
| 65  | set segmenti           | piston ring                            | psrx300-1-65  |
| 69  | bolt piston            | piston pin                             | psrx300-1-69  |
| 70  | piston                 | piston                                 | psrx300-1-70  |
| 71  | siguranta              | washer                                 | psrx300-1-71  |
| 72  | rulment 6205           | rolling bearing                        | psrx300-1-72  |
| 73  | simering 25x40x7       | oil seal                               | psrx300-1-73  |
| 74  | carter motor           | crankshaft box assy.                   | psrx300-1-74  |
| 75  | garnitura filtru aer   | air filter paper pad                   | psrx300-1-75  |
| 76  | carburator             | carburetor                             | psrx300-1-76  |
| 77  | garnitura carburator   | intake pipe paper pad ii               | psrx300-1-77  |
| 78  | izolator               | air inlet pipe                         | psrx300-1-78  |
| 79  | garnitura izolator     | intake pipe paper pad i                | psrx300-1-79  |
| 80  | prezon M6x94           | dual-head bolts                        | psrx300-1-80  |
| 81  | pompita amorsare       | prime button ii                        | psrx300-1-81  |

## Producător motoutilaje

## Documentatie tehnică

|     |                           |                                       |               |
|-----|---------------------------|---------------------------------------|---------------|
| 82  | tija                      | push rod                              | psrx300-1-82  |
| 83  | placuta ghidaj            | push rod director plate               | psrx300-1-83  |
| 84  | prezon culbutori          | valve rocker arm support bolts        | psrx300-1-84  |
| 85  | culbutor                  | rocker of valve                       | psrx300-1-85  |
| 86  | piulita culbutori         | valve adjustment nut                  | psrx300-1-86  |
| 87  | piulita blocare           | and nuts                              | psrx300-1-87  |
| 88  | capac culbutori II        | cylinder head cover ii                | psrx300-1-88  |
| 89  | garnitura capac culbutori | respirator head gasket                | psrx300-1-89  |
| 90  | capac culbutori I         | cylinder head cover i                 | psrx300-1-90  |
| 91  | pastila                   | top cover of exhaust valve            | psrx300-1-91  |
| 92  | taler supapa              | spring coil of exhaust valve          | psrx300-1-92  |
| 93  | taler supapa              | spring coil of intake valve           | psrx300-1-93  |
| 94  | arc supapa                | valve spring                          | psrx300-1-94  |
| 95  | simering supapa           | oil seal assy                         | psrx300-1-95  |
| 96  | bujie                     | spark plug                            | br4t          |
| 97  | chiuloasa                 | cylinder head assy.                   | psrx300-1-97  |
| 98  | supapa evacuare           | exhaust valve                         | psrx300-1-98  |
| 99  | supapa admisie            | intakevalve                           | psrx300-1-99  |
| 100 | pin ghidaj                | spacing pin                           | psrx300-1-100 |
| 101 | garnitura chiuloasa       | cylinder head gasket                  | psrx300-1-101 |
| 102 | garnitura toba esapament  | muffler insulating pad                | psrx300-1-102 |
| 103 | toba esapament            | muffler assy.                         | psrx300-1-103 |
| 104 | protectie toba esapament  | muffler cover assy.                   | psrx300-1-104 |
| 105 | piulita M6                | self-locking nut                      | psrx300-1-105 |
| 106 | deflector                 | wind shield                           | psrx300-1-106 |
| 107 | surub M6x16               | bolt                                  | psrx300-1-107 |
| 108 | prezon                    | different-shaped double-head bolts ii | psrx300-1-108 |
| 109 | modul aprindere           | ignition assy.                        | psrx300-1-109 |
| 110 | prezon                    | dual-head bolts                       | psrx300-1-110 |
| 111 | surub M6x30               | bolt                                  | psrx300-1-111 |
| 112 | prezon                    | different-shaped double-head bolts ii | psrx300-1-112 |
| 113 | carcasa ventilator        | the transparent cover                 | psrx300-1-113 |
| 114 | ansamblu demaror          | pull starter assy.                    | psrx300-1-114 |
| 115 | piulita M6                | cap nut                               | psrx300-1-115 |
| 116 | capota                    | the transparent cover                 | psrx300-1-116 |
| 117 | placa control acceleratie | single speed control panel            | psrx300-1-117 |
| 118 | surub M6x10               | bolt                                  | psrx300-1-118 |



| Nr.crt | Denumire produs  | Product name                          | Cod comanda  |
|--------|------------------|---------------------------------------|--------------|
| 1      | surub cutit      | blade bolt                            | psrx300-2-1  |
| 2      | saiba            | blade washer                          | psrx300-2-2  |
| 3      | cutit            | The blade assembly                    | psrx300-2-3  |
| 4      | cuplaj cutit     | Blade Adapter                         | psrx300-2-4  |
| 5      | surub M8x25      | Hexagon head bolts                    | psrx300-2-5  |
| 6      | surub M8x30      | Hex flange bolts                      | psrx300-2-6  |
| 7      | aparatoare curea | belt cover                            | psrx300-2-7  |
| 8      | maner            | Face twist before hand                | psrx300-2-8  |
| 9      | ornament fata    | front mask                            | psrx300-2-9  |
| 10     | surub 3x14       | Phillips flat head self tapping screw | psrx300-2-10 |
| 11     | siguranta        | Type D ring                           | psrx300-2-11 |
| 12     | arc              | selfpropelled spring                  | psrx300-2-12 |
| 13     | parghie          | Height Adjustment Pull Rod            | psrx300-2-13 |

## Producător motoutilaje

## Documentatie tehnică

|    |                         |  |              |
|----|-------------------------|--|--------------|
| 14 | carcasa                 | deck welding assy.                             | psrx300-2-14 |
| 15 | placa                   | Bracket plate for defelctor                    | psrx300-2-15 |
| 16 | surub M6x10             | self tapping screw                             | psrx300-2-16 |
| 17 | placa etansare          | mulching board                                 | psrx300-2-17 |
| 18 | capac evacuare laterala | side discharge cover                           | psrx300-2-18 |
| 19 | tija                    | Mulch Shaft                                    | psrx300-2-19 |
| 20 | arc                     | mulch board spring                             | psrx300-2-20 |
| 21 | brida                   | control board upper cover                      | psrx300-2-21 |
| 22 | blocator                | block  | psrx300-2-22 |
| 23 | arc                     | cover spring                                   | psrx300-2-23 |
| 24 | garnitura               | Gasket   | psrx300-2-24 |
| 25 | surub 4x14              | Cross recessed countersunk head tapping screws | psrx300-2-25 |
| 26 | saiba                   | flat Gasket                                    | psrx300-2-26 |
| 27 | surub M6x12             | Bolt   | psrx300-2-27 |
| 28 | placa ajustare inaltime | Board for Height Adjuster                      | psrx300-2-28 |
| 29 | surub M6                | Self-locking nut                               | psrx300-2-29 |
| 30 | stut                    | inlet  | psrx300-2-30 |
| 31 | stut                    | inlet  | psrx300-2-31 |
| 32 | o-ring                  | "O" ring                                       | psrx300-2-32 |
| 33 | blocator cablu          | cable stopper                                  | psrx300-2-33 |
| 34 | motor                   | petrol engine                                  | psrx300-2-34 |
| 35 | capac roata fata        | inner cover of hub                             | psrx300-2-35 |
| 36 | piulita M8              | Self-locking nut                               | psrx300-2-36 |
| 37 | capac                   | inner cover of hub                             | psrx300-2-37 |
| 38 | roata fata              | wheel assy.                                    | psrx300-2-38 |
| 39 | saiba                   | Resilient washer                               | psrx300-2-39 |
| 40 | ax roti fata            | front drive assy.                              | psrx300-2-40 |
| 41 | saiba elastica          | spring washer                                  | psrx300-2-41 |
| 42 | roata dintata           | Ratchet Wheel L                                | psrx300-2-42 |
| 43 | siguranta               | selfpropelled ratchet washer                   | psrx300-2-43 |
| 44 | saiba                   | flat Gasket                                    | psrx300-2-44 |
| 45 | bucsa                   | rear wheel axle sleeve                         | psrx300-2-45 |
| 46 | siguranta               | bratchet pin                                   | psrx300-2-46 |
| 47 | transmisie              | petrol engine                                  | psrx300-2-47 |
| 48 | clema                   | Brake spring                                   | psrx300-2-48 |
| 49 | arc                     | selfpropelled spring                           | psrx300-2-49 |
| 50 | curea                   | v belt   | psrx300-2-50 |
| 51 | roata dintata           | Ratchet Wheel L                                | psrx300-2-51 |
| 52 | placa                   | Rear plate                                     | psrx300-2-52 |
| 53 | capac roata spate       | outer cover of hub                             | psrx300-2-53 |
| 54 | roata spate             | wheel assy.                                    | psrx300-2-54 |

## Producător motoutilaje

## Documentatie tehnică

|    |                         |   |              |
|----|-------------------------|---|--------------|
| 55 | capac                   | inner cover of hub                      | psrx300-2-55 |
| 56 | ax roti spate           | rear drive assy.                        | psrx300-2-56 |
| 57 | tija ajustare inaltime  | height adjustment ball                  | psrx300-2-57 |
| 58 | sac colector            | fabric grass bag                        | psrx300-2-58 |
| 59 | cadru sac colector      | fabric metal frame                      | psrx300-2-59 |
| 60 | placa                   | blade washer                            | psrx300-2-60 |
| 61 | capac                   | protection board of grass bag           | psrx300-2-61 |
| 62 | capac sac colector      | Grass on the box                        | psrx300-2-62 |
| 63 | capac supraplin         | air-out board of fabric grass bag cover | psrx300-2-63 |
| 64 | siguranta               | washer                                  | psrx300-2-64 |
| 65 | capac evacuare          | rear discharge cover                    | psrx300-2-65 |
| 66 | arc                     | cover spring                            | psrx300-2-66 |
| 67 | bolt                    | R type pin                              | psrx300-2-67 |
| 68 | tija                    | Shaft for rear discharge cover          | psrx300-2-68 |
| 69 | suport sac              | rear discharge base                     | psrx300-2-69 |
| 70 | deflector               | rear baffle                             | psrx300-2-70 |
| 71 | capac                   | mulching plug                           | psrx300-2-71 |
| 72 | saiba                   | flat Gasket                             | psrx300-2-72 |
| 73 | surub M8x19             | Cross recessed Pan head tapping screws  | psrx300-2-73 |
| 74 | suport maner            | lower handrail                          | psrx300-2-74 |
| 75 | clema                   | fastener                                | psrx300-2-75 |
| 76 | piulita M8              | Hexagon nut                             | psrx300-2-76 |
| 77 | rozeta                  | triangle knob                           | psrx300-2-77 |
| 78 | saiba                   | flat washer                             | psrx300-2-78 |
| 79 | blocator                | lock for fast fix handle                | psrx300-2-79 |
| 80 | surub                   | Quick Fix Handle                        | psrx300-2-80 |
| 81 | bolt                    | Pin                                     | psrx300-2-81 |
| 82 | maner blocare           | quick fix knob                          | psrx300-2-82 |
| 83 | maner                   | upper handrail                          | psrx300-2-83 |
| 84 | carlig                  | Rope Guide                              | psrx300-2-84 |
| 85 | piulita M6              | Cap nut                                 | psrx300-2-85 |
| 86 | surub M6x30             | Bolt                                    | psrx300-2-86 |
| 87 | placa                   | lever guard                             | psrx300-2-87 |
| 88 | maneta actionare roti   | Self-propelled Lever                    | psrx300-2-88 |
| 89 | manson                  | foam pipe                               | psrx300-2-89 |
| 90 | maneta motor stop       | stop lever                              | psrx300-2-90 |
| 91 | suport cablu motor stop | Brake Cable Assy plate                  | psrx300-2-91 |
| 92 | cablu motor stop        | brake cable                             | psrx300-2-92 |
| 93 | cablu actionare roti    | selfpropelled cable                     | psrx300-2-93 |
| 94 | surub M5                | Hexagon head bolts                      | psrx300-2-94 |
| 95 | pupitru                 | control board                           | psrx300-2-95 |

## Producător motoutilaje

## Documentatie tehnică

|    |                |                   |              |
|----|----------------|-------------------|--------------|
| 96 | saiba elastica | Resilient washer  | psrx300-2-96 |
| 97 | saiba plata    | Large flat washer | psrx300-2-97 |
| 98 | piulita M5     | Self-locking nut  | psrx300-2-98 |