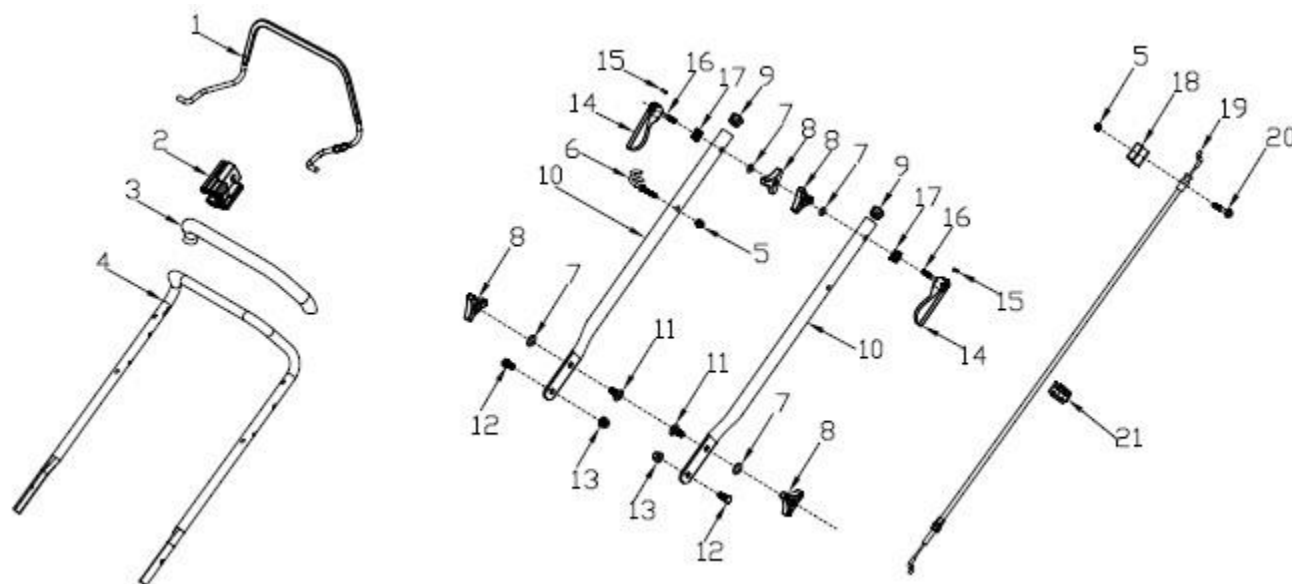
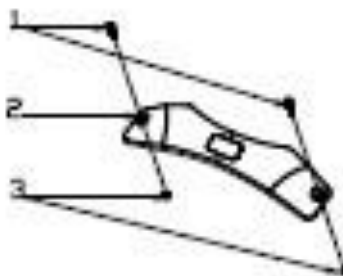


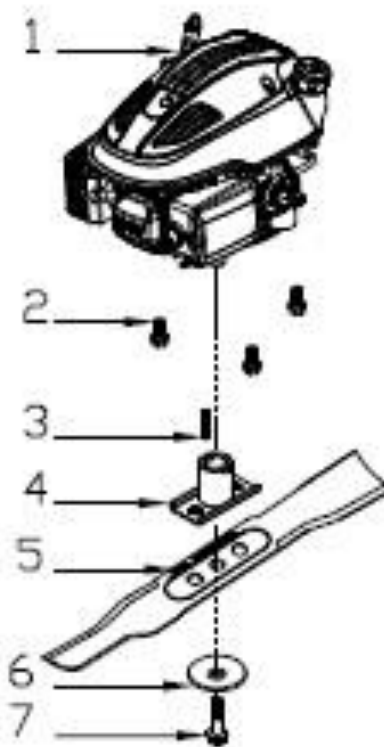
Documentatie tehnica Masina de tuns gazon Ruris RX200



| Nr.crt | Denumire produs | Product name | Cod comanda |
|--------|--------------------|--------------------|---------------|
| 1 | maneta motor stop | Brake Lever E | psrx200s-1-1 |
| 2 | suport cablu | Limiting Stopper | psrx200s-1-2 |
| 3 | manson maner | Foam Pipe | psrx200s-1-3 |
| 4 | maner | Upper Handle | psrx200s-1-4 |
| 5 | piulita | Nut | psrx200s-1-5 |
| 6 | carlig | Rope Guide | psrx200s-1-6 |
| 7 | saiba | Flat Washer | psrx200s-1-7 |
| 8 | rozeta | Knob | psrx200s-1-8 |
| 9 | dop | Handle Plug | psrx200s-1-9 |
| 10 | suport maner | Lower Handle B | psrx200s-1-10 |
| 11 | surub | Screw | psrx200s-1-11 |
| 12 | surub | Screw | psrx200s-1-12 |
| 13 | piulita | Nut | psrx200s-1-13 |
| 14 | maner blocare | Fast handle | psrx200s-1-14 |
| 15 | bolt | Pin | psrx200s-1-15 |
| 16 | surub | Screw | psrx200s-1-16 |
| 17 | blocator | Fast handle Limit | psrx200s-1-17 |
| 18 | clema fixare cablu | Cable Fixing Clamp | psrx200s-1-18 |
| 19 | cablu motor stop | Brake Cable | psrx200s-1-19 |
| 20 | surub | Screw | psrx200s-1-20 |
| 21 | clema cablu | Cable Support | psrx200s-1-21 |



| Nr.crt | Denumire produs | Product name | Cod comanda |
|--------|-----------------|--------------|--------------|
| 1 | surub | Screw | psrx200s-2-1 |
| 2 | pupitru | Handle Panel | psrx200s-2-2 |
| 3 | piulita | Nut | psrx200s-2-3 |

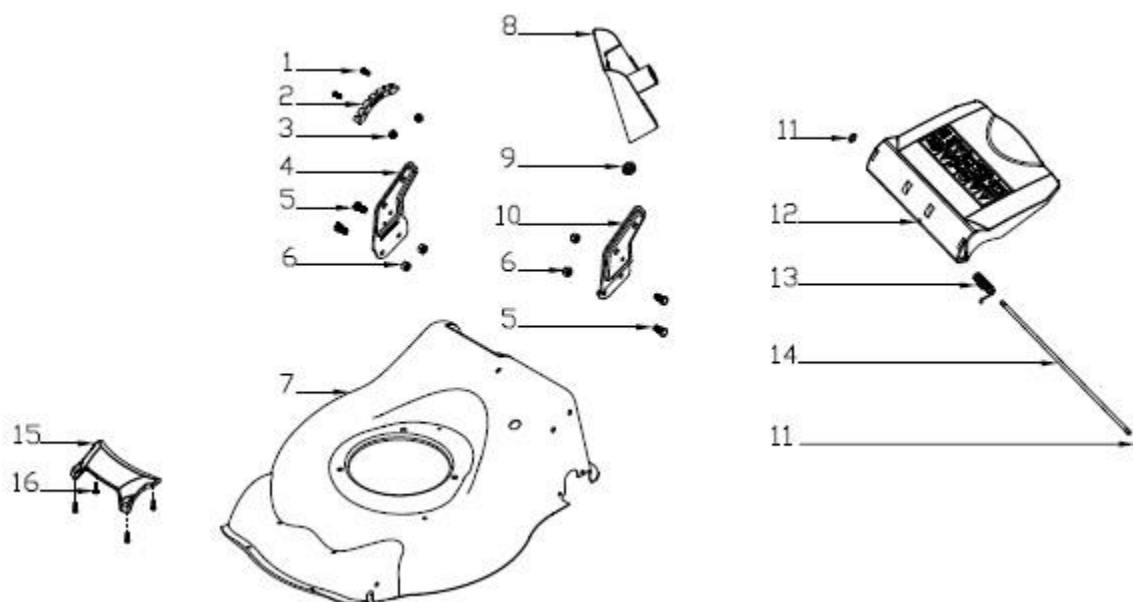


| Nr.crt | Denumire produs | Product name | Cod comanda |
|--------|-----------------|--------------|--------------|
| 1 | motor | Engine | psrx200s-3-1 |
| 2 | surub | Screw | psrx200s-3-2 |

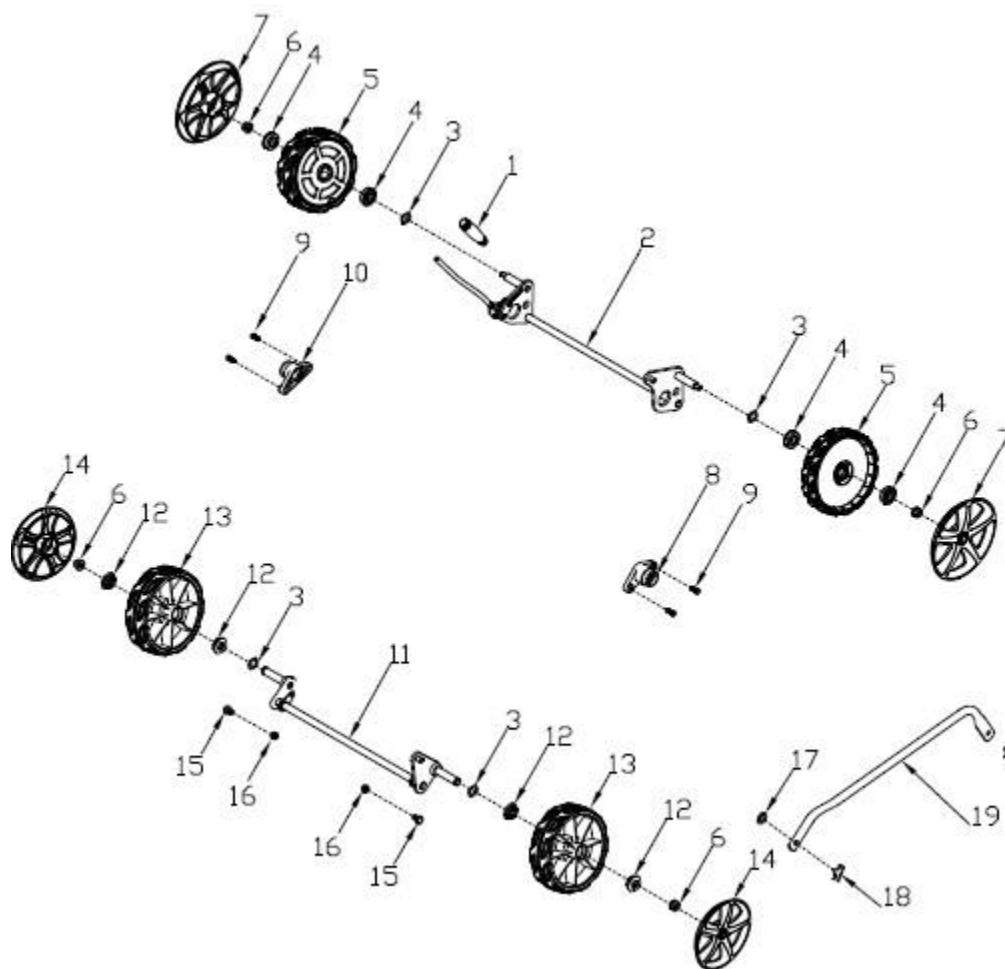
Producător motoutilaje

Documentatie tehnică

| | | | |
|---|--------------|---------------|--------------|
| 3 | pana | Flat Key | psrx200s-3-3 |
| 4 | suport cutit | Blade Adapter | psrx200s-3-4 |
| 5 | cutit | Blade 17" | psrx200s-3-5 |
| 6 | saiba | Blade Washer | psrx200s-3-6 |
| 7 | surub | Blade Screw | psrx200s-3-7 |



| Nr.crt | Denumire produs | Product name | Cod comanda |
|--------|-------------------------|-------------------------|---------------|
| 1 | surub | Screw | psrx200s-4-1 |
| 2 | placa ajustare inaltime | Height Adjustment Plate | psrx200s-4-2 |
| 3 | piulita | Nut | psrx200s-4-3 |
| 4 | suport dreapta | Right Bracket | psrx200s-4-4 |
| 5 | surub | Screw | psrx200s-4-5 |
| 6 | piulita | Nut | psrx200s-4-6 |
| 7 | carcasa | Deck | psrx200s-4-7 |
| 8 | capac mulching | Mulching Plug | psrx200s-4-8 |
| 9 | manson | Cable Sleeve | psrx200s-4-9 |
| 10 | suport stanga | Left Bracket | psrx200s-4-10 |
| 11 | siguranta | Lock Ring | psrx200s-4-11 |
| 12 | capac evacuare | Rear Cover | psrx200s-4-12 |
| 13 | arc | Rear Cover Spring | psrx200s-4-13 |
| 14 | ax | Rear Cover Shaft | psrx200s-4-14 |
| 15 | ornament | Front plastic cover A | psrx200s-4-15 |
| 16 | surub | Screw | psrx200s-4-16 |

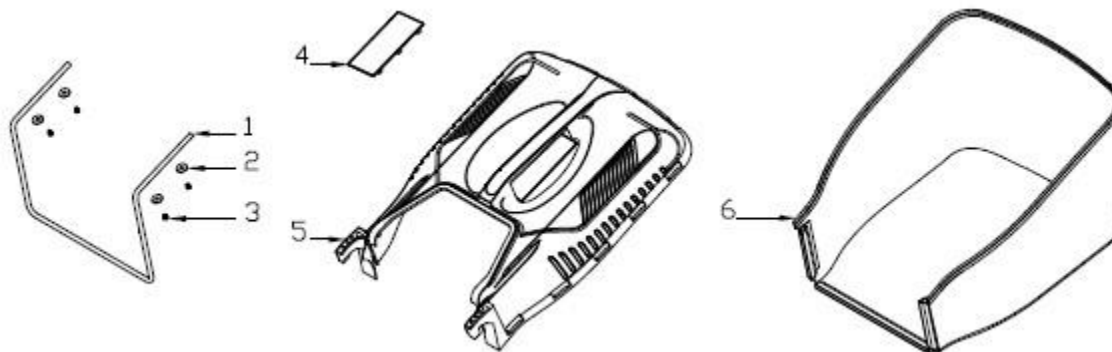


| Nr.crt | Denumire produs | Product name | Cod comanda |
|--------|--------------------------|----------------------------|---------------|
| 1 | levier ajustare inaltime | Height adjusting handle -C | psrx200s-5-1 |
| 2 | ax roti spate | Rear Wheel Shaft Assy | psrx200s-5-2 |
| 3 | saiba | Spring Washer | psrx200s-5-3 |
| 4 | rulment | Bearing | psrx200s-5-4 |
| 5 | roata spate | 7" Wheel-C | psrx200s-5-5 |
| 6 | piulita | Nut | psrx200s-5-6 |
| 7 | ornament roata spate | 6" Outer Wheel Cover | psrx200s-5-7 |
| 8 | lagar | Shaft Sleeve | psrx200s-5-8 |
| 9 | surub | Screw | psrx200s-5-9 |
| 10 | lagar | Shaft Sleeve | psrx200s-5-10 |
| 11 | ax roti fata | Front Wheel Shaft | psrx200s-5-11 |
| 12 | bucsa | Shaft Sleeve | psrx200s-5-12 |
| 13 | roata fata | 6" Wheel -C | psrx200s-5-13 |

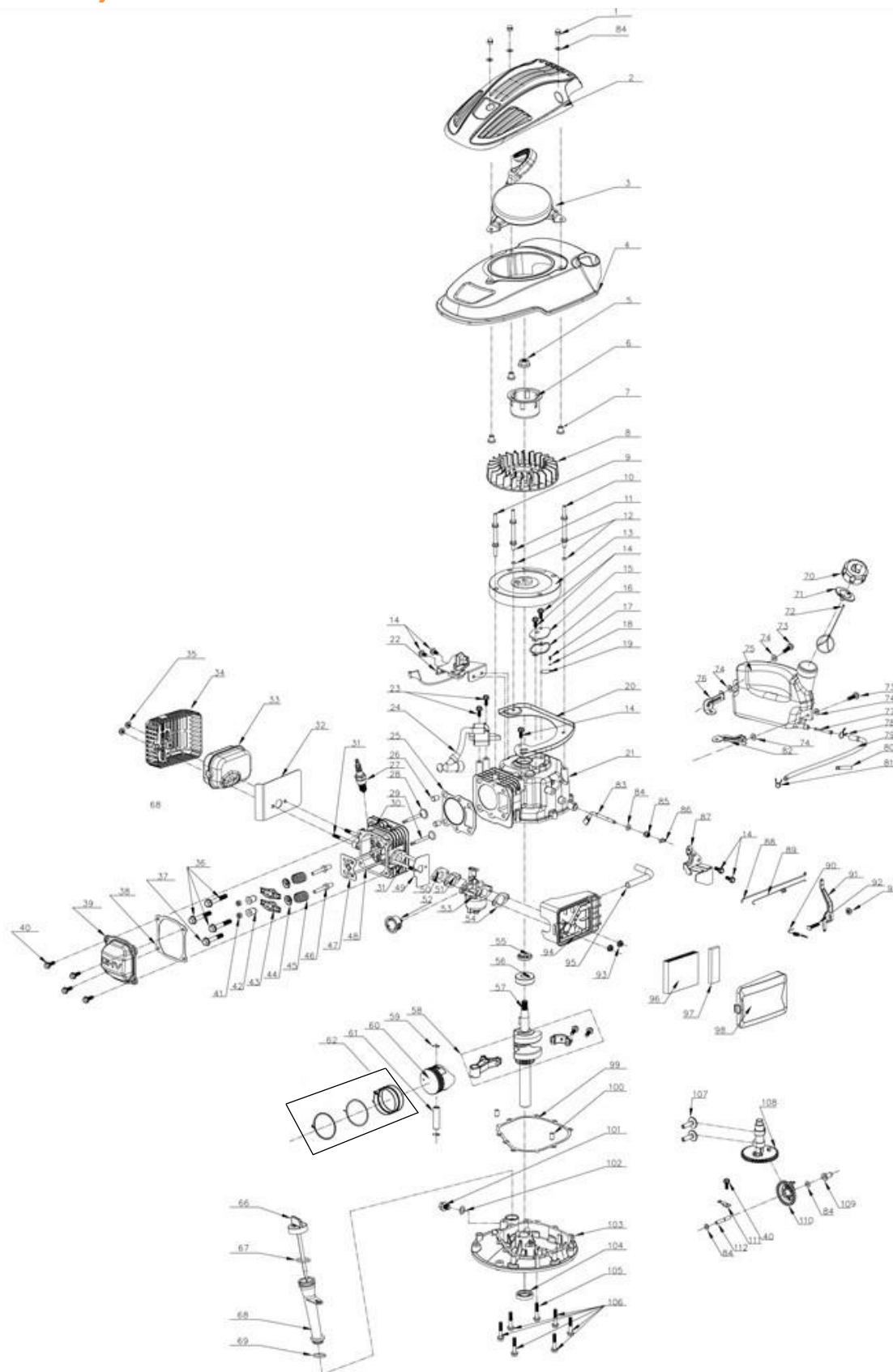
Producător motoutilaje

Documentatie tehnică

| | | | |
|----|------------------------|----------------------------------|---------------|
| 14 | ornament roata fata | 6" Outer Wheel Cover | psrx200s-5-14 |
| 15 | surub | Screw | psrx200s-5-15 |
| 16 | piulita | Nut | psrx200s-5-16 |
| 17 | saiba | Flat Washer | psrx200s-5-17 |
| 18 | siguranta | Split Pin | psrx200s-5-18 |
| 19 | tija ajustare inaltime | Height Adjustment Connecting Rod | psrx200s-5-19 |



| Nr.crt | Denumire produs | Product name | Cod comanda |
|--------|--------------------|----------------|--------------|
| 1 | cadru sac colector | Metal Bracket | psrx200s-6-1 |
| 2 | saiba | Flat Washer | psrx200s-6-2 |
| 3 | surub | Screw | psrx200s-6-3 |
| 4 | capac supraplin | Cover Plate | psrx200s-6-4 |
| 5 | capac sac colector | Plastic Cover | psrx200s-6-5 |
| 6 | sac colector | Fabric Bag 45L | psrx200s-6-6 |



| Nr.crt | Denumire produs | Product name | Cod comanda |
|--------|---------------------------|-------------------------------|---------------|
| 1 | piulita | Nut | psrx200s-7-1 |
| 2 | capota | Engine Cover | psrx200s-7-2 |
| 3 | demaror | Recoil Start Assy | psrx200s-7-3 |
| 4 | carcasa ventilator | Blower Housing | psrx200s-7-4 |
| 5 | piulita | Nut | psrx200s-7-5 |
| 6 | cuplaj | Start-up Hub | psrx200s-7-6 |
| 7 | bucsa | Bush | psrx200s-7-7 |
| 8 | ventilator | Fan | psrx200s-7-8 |
| 9 | prezon | Screw I | psrx200s-7-9 |
| 10 | prezon | Screw II | psrx200s-7-10 |
| 11 | prezon | Screw III | psrx200s-7-11 |
| 12 | saiba | Spring washer | psrx200s-7-12 |
| 13 | volanta | Flywheel | psrx200s-7-13 |
| 14 | surub | Screw | psrx200s-7-14 |
| 15 | placa | Respirator Cover Plate | psrx200s-7-15 |
| 16 | garnitura | Gasket of Respirator Cover | psrx200s-7-16 |
| 17 | surub | Screw | psrx200s-7-17 |
| 18 | saiba | Spring washer | psrx200s-7-18 |
| 19 | supapa | Valve Element | psrx200s-7-19 |
| 20 | placa | Plate | psrx200s-7-20 |
| 21 | bloc motor | Crankcase Assy | psrx200s-7-21 |
| 22 | frana volanta | Brake Assy | psrx200s-7-22 |
| 23 | surub M6x25 | Screw M6*25 | psrx200s-7-23 |
| 24 | modul aprindere | Ignition | psrx200s-7-24 |
| 25 | garnitura chiulasa | Gasket of Cylinder Head | psrx200s-7-25 |
| 26 | bucsa ghidaj | Locating Pin | psrx200s-7-26 |
| 27 | bujie | Spark Plug | br4t |
| 28 | supapa admisie | Inlet valve | psrx200s-7-28 |
| 29 | supapa evacuare | Outlet valve | psrx200s-7-29 |
| 30 | chiulasa | Cylinder Head Assy | psrx200s-7-30 |
| 31 | prezon M6x78 | Two Stud Bolt M6*78 | psrx200s-7-31 |
| 32 | garnitura toba esapament | Gasket of Muffler | psrx200s-7-32 |
| 33 | topa esapament | Muffler Assy | psrx200s-7-33 |
| 34 | protectie esapament | Muffler Cover Assy | psrx200s-7-34 |
| 35 | piulita | Nut | psrx200s-7-35 |
| 36 | surub M8x45 | Screw M8*45 | psrx200s-7-36 |
| 37 | surub M8x40 | Screw M8*40 | psrx200s-7-37 |
| 38 | garnitura capac culbutori | Gasket of Cylinder Head Cover | psrx200s-7-38 |
| 39 | capac culbutori | Cylinder Head Outer Cover | psrx200s-7-39 |
| 40 | surub | Screw | psrx200s-7-40 |

Producător motoutilaje

Documentatie tehnică

| | | | |
|----|----------------------------|--------------------------------|---------------|
| 41 | piulita | Combined Nut | psrx200s-7-41 |
| 42 | piulita | Adjust Nut of Valve | psrx200s-7-42 |
| 43 | culbutori | Rocker of Valve | psrx200s-7-43 |
| 44 | taler supapa | Spring Coil of outlet Valve | psrx200s-7-44 |
| 45 | arc supapa | Spring of Valve | psrx200s-7-45 |
| 46 | prezoane | Rocker Support Bolt of Valve | psrx200s-7-46 |
| 47 | placuta ghidaj | Handspike Assy | psrx200s-7-47 |
| 48 | tija | Guide Board of Handspike | psrx200s-7-48 |
| 49 | garnitura izolator | Paper Gasket of Inlet Pipe | psrx200s-7-49 |
| 50 | izolator | Air Inlet Pipe | psrx200s-7-50 |
| 51 | garnitura carburator | Paper Gasket of Carburetor | psrx200s-7-51 |
| 52 | pompa amorsare | Primer | psrx200s-7-52 |
| 53 | carburator | Carburetor Assy | psrx200s-7-53 |
| 54 | garnitura filtru aer | Paper Gasket of Air Filter | psrx200s-7-54 |
| 55 | simering | Oil Seal 6*11*4 | psrx200s-7-55 |
| 56 | rulment | Ball bearing | psrx200s-7-56 |
| 57 | arbore motor | Crankshaft Assy | psrx200s-7-57 |
| 58 | ansamblu biela | Connecting Rod Assy | psrx200s-7-58 |
| 59 | siguranta bolt piston | Circlip of Piston Pin | psrx200s-7-59 |
| 60 | piston | Piston Assy | psrx200s-7-60 |
| 61 | bolt piston | Piston Pin | psrx200s-7-61 |
| 62 | set segmenti | Piston rings set | psrx200s-7-62 |
| 66 | joja | Lubricating Gauge | psrx200s-7-66 |
| 67 | oring 20x2.3 | "o" Ring $\phi 20 * \phi 2.3$ | psrx200s-7-67 |
| 68 | racord joja | Lubricating Pipe | psrx200s-7-68 |
| 69 | oring 21x2.3 | "O" Ring $\phi 21 * \phi 2.3$ | psrx200s-7-69 |
| 70 | buson rezervor combustibil | Fuel Tank Cap | psrx200s-7-70 |
| 71 | garnitura buson | Seal Gasket of Fuel Tank Cap | psrx200s-7-71 |
| 72 | fir fluture | Connecting Rope | psrx200s-7-72 |
| 73 | surub M6x22 | Screw M6*22 | psrx200s-7-73 |
| 74 | saiba | Washer | psrx200s-7-74 |
| 75 | rezervor combustibil | Fuel Tank | psrx200s-7-75 |
| 76 | suport rezervor dreapta | Right Bracket of Fuel Tank | psrx200s-7-76 |
| 77 | filtru combustibil | Filtering Net Duct of Fuel | psrx200s-7-77 |
| 78 | colier | Oil Pipe Circlip I | psrx200s-7-78 |
| 79 | Furtun alimentare | Oil Pipe | psrx200s-7-79 |
| 80 | clema | Oil Pipe Fixing Clip | psrx200s-7-80 |
| 81 | colier | Oil Pipe Circlip II | psrx200s-7-81 |
| 82 | sport rezervor stanga | Left Bracket of Fuel Tank | psrx200s-7-82 |
| 83 | tija regulator | Speed Regulator Rocker Spindle | psrx200s-7-83 |
| 84 | saiba | Washer | psrx200s-7-84 |

Producător motoutilaje

Documentatie tehnică

| | | | |
|-----|---------------------------|---------------------------------------|----------------|
| 85 | oring 6x11x4 | Oil Seal 6*11*4 | psrx200s-7-85 |
| 86 | siguranta | Springness Split Pin | psrx200s-7-86 |
| 87 | placa | Plate | psrx200s-7-87 |
| 88 | Parghie regulator | Handspike of Valve | psrx200s-7-88 |
| 89 | arc regulator | Spring of Valve | psrx200s-7-89 |
| 90 | arc acceleratie | Speed Regulator Vice Spring | psrx200s-7-90 |
| 91 | brat regulator | Speed Regulator Rocker | psrx200s-7-91 |
| 92 | surub M6x23 | "T" type Screw M6*23 | psrx200s-7-92 |
| 93 | piulita M6 | Nut M6 | psrx200s-7-93 |
| 94 | suport filtru aer | Air Filter Pedestal | psrx200s-7-94 |
| 95 | furtun epurator 8x12x140 | Exhaust Pipe $\phi 8 * \phi 12 * 140$ | psrx200s-7-95 |
| 96 | filtru aer | Foam Filter Element | psrx200s-7-96 |
| 97 | element filtrant | Filter Element | psrx200s-7-97 |
| 98 | capac filtru aer | Air Filter Upper Cover | psrx200s-7-98 |
| 99 | garnitura carter | Gasket of Crankcase | psrx200s-7-99 |
| 100 | Bolt ghidaj | Locating Pin of Crankcase | psrx200s-7-100 |
| 101 | Buson drenaj ulei | Draining Oil Bolt | psrx200s-7-101 |
| 102 | garnitura buson ulei | Draining Oil Bolt Gasket | psrx200s-7-102 |
| 103 | capac carter | Crankcase Cover | psrx200s-7-103 |
| 104 | simering | Oil Seal 6*11*4 | psrx200s-7-104 |
| 105 | surub | Screw | psrx200s-7-105 |
| 106 | surub | Screw | psrx200s-7-106 |
| 107 | tacheti | Tappet | psrx200s-7-107 |
| 108 | ax came | Camshaft Assy | psrx200s-7-108 |
| 109 | culisa | Sliding Sleeve | psrx200s-7-109 |
| 110 | ansamblu pinion regulator | Gear Shaft Assy | psrx200s-7-110 |
| 111 | placa | Gear Shaft Hold-down Plate | psrx200s-7-111 |
| 112 | ax regulator | Circlip of Gear shaft | psrx200s-7-112 |