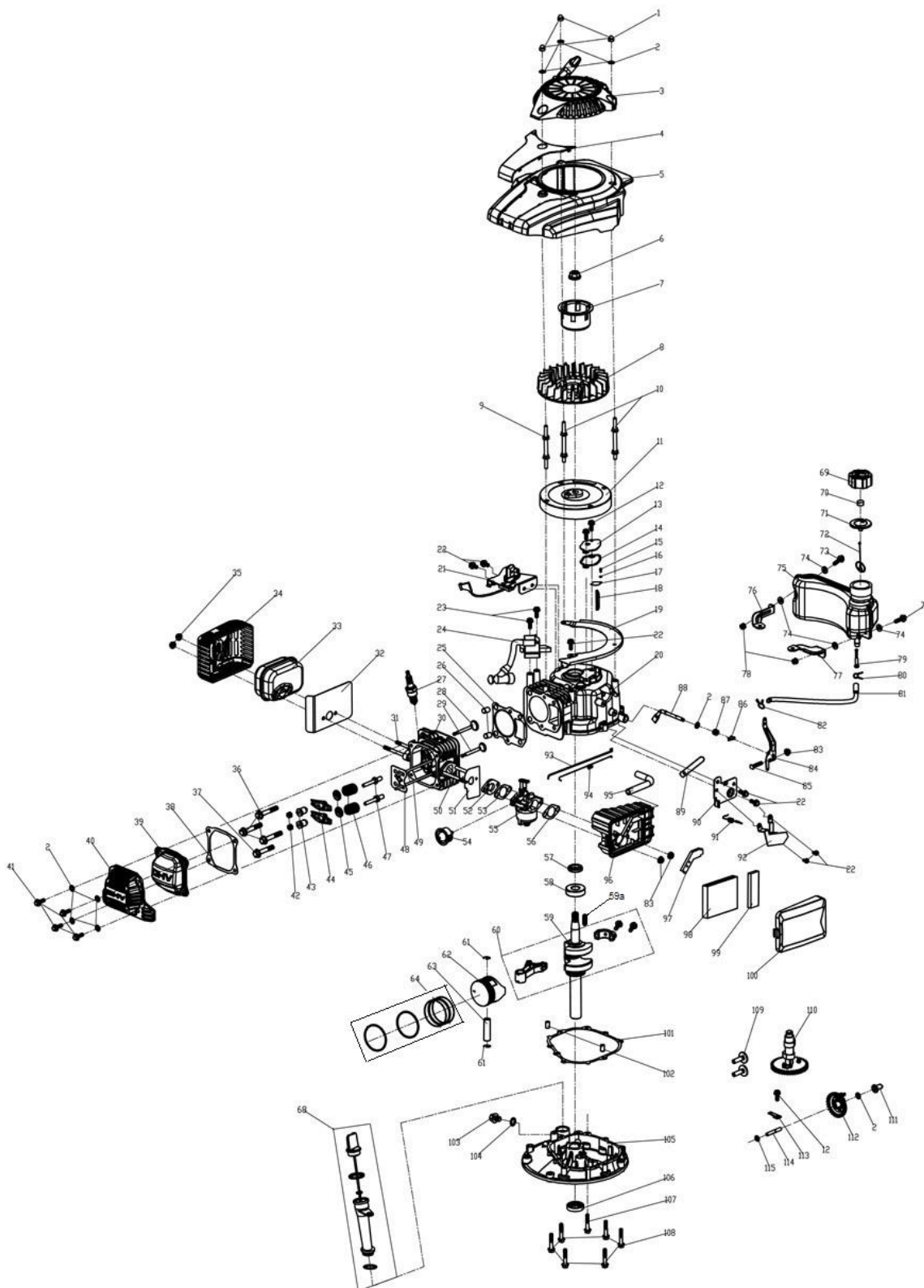


Documentatie tehnica masina de gazon Ruris RX200



Nr.crt	Denumire produs	Product name	Cod comanda
1	piulita	cap nut	psrx200-1-1
2	saiba	gasket	psrx200-1-2
3	ansamblu demaror	pull starter assy.	psrx200-1-3
4	ornament	decoration board	psrx200-1-4
5	carcasa ventilator	blower housing	psrx200-1-5
6	piulita m12x1.25	hex flange nuts	psrx200-1-6
7	cuplaj	starter hub	psrx200-1-7
8	ventilator	fan	psrx200-1-8
9	prezon 1	special bolt i	psrx200-1-9
10	prezon 2	special bolt ii	psrx200-1-10
11	volanta	flywheel assy	psrx200-1-11
12	surub M6x12	bolt	psrx200-1-12
13	capac epurator	respirator cover plate assy	psrx200-1-13
14	garnitura	respirator head gasket	psrx200-1-14
15	surub m3x6	cross recessed small pan head screws	psrx200-1-15
16	saiba	washer	psrx200-1-16
17	placa	respirator spring steel valve element	psrx200-1-17
18	filtru ulei	oil filter net	psrx200-1-18
19	deflector	blower board	psrx200-1-19
20	carter motor	crankshaft box assy.	psrx200-1-20
21	frana volanta	detent assy.	psrx200-1-21
22	surub m6x10	bolt	psrx200-1-22
23	surub m6x25	hexagon head bolts	psrx200-1-23
24	modul aprindere	ignition assy.	psrx200-1-24
25	garnitura chiuloasa	cylinder head gasket	psrx200-1-25
26	bolt centrare chiuloasa	spacing pin	psrx200-1-26
27	bujie	spark plug	br4t
28	supapa admisie	intakevalve	psrx200-1-28
29	supapa evacuare	exhaust valve	psrx200-1-29
30	chiuloasa	cylinder head assy.	psrx200-1-30
31	prezon	dual-head bolts	psrx200-1-31
32	garnitura toba esapament	muffler insulating pad	psrx200-1-32
33	toba esapament	muffler assy.	psrx200-1-33
34	protectie toba esapament	muffler cover assy.	psrx200-1-34
35	piulita m6	self-locking nut	psrx200-1-35
36	surub m8x45	locking bolt	psrx200-1-36
37	surub m8x40	locking bolt	psrx200-1-37
38	garnitura chiuloasa	cylinder head gasket	psrx200-1-38

Producător motoutilaje

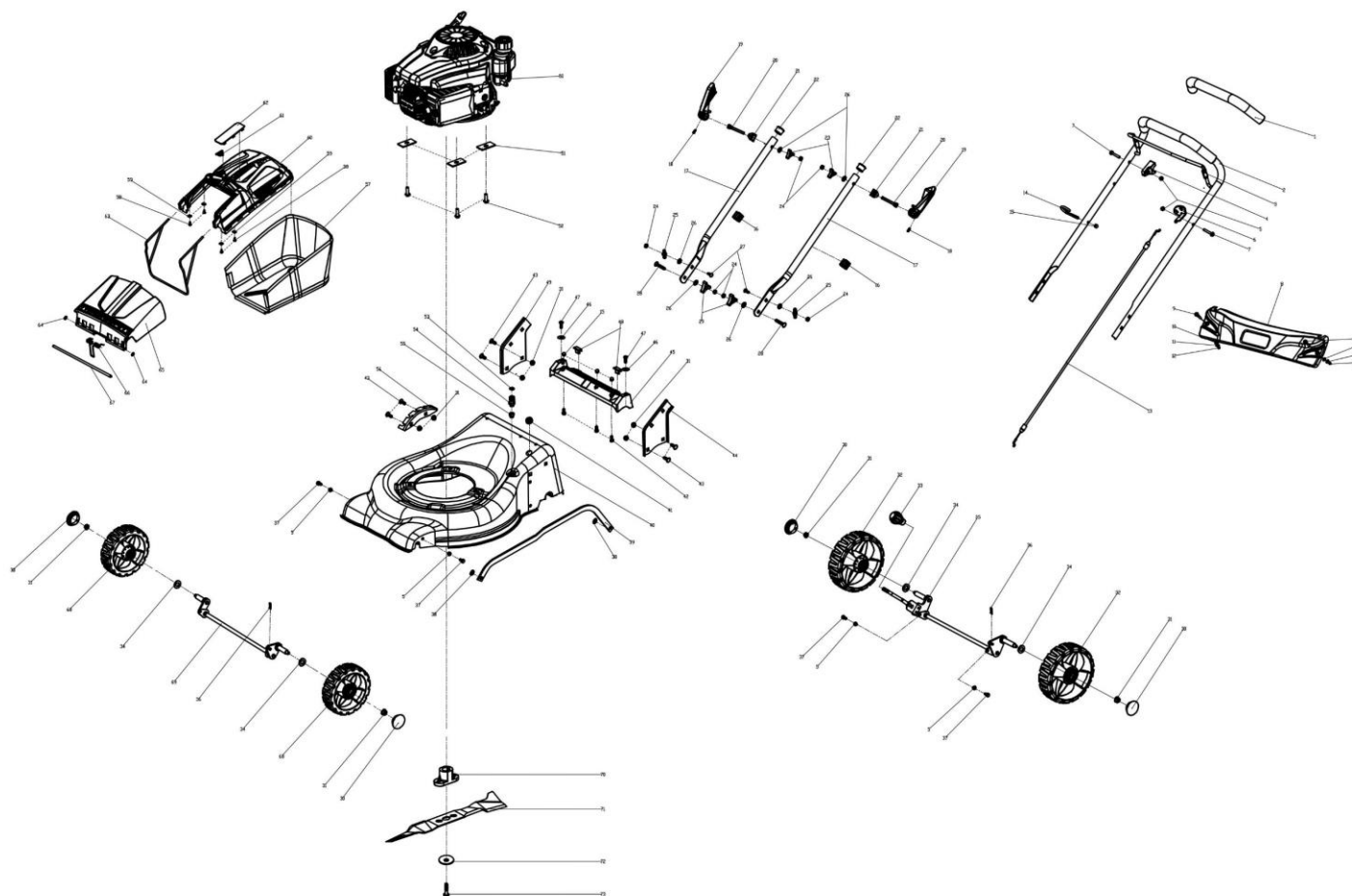
Documentatie tehnică

39	capac culbutori 1	cylinder head cover	psrx200-1-39
40	capac culbutori 2	cylinder head cover	psrx200-1-40
41	surub m6x16	bolt	psrx200-1-41
42	piulita blocare	and nuts	psrx200-1-42
43	piulita culbutori	valve adjustment nut	psrx200-1-43
44	culbutor	rocker of valve	psrx200-1-44
45	taler supapa	spring coil of intake valve	psrx200-1-45
46	arc supapa	valve spring	psrx200-1-46
47	prezon culbutori	valve rocker arm support bolts	psrx200-1-47
48	placuta ghidaj	push rod director plate	psrx200-1-48
49	tija	push rod	psrx200-1-49
50	prezon carburator	dual-head bolts	psrx200-1-50
51	garnitura izolator	carburetor paper pad	psrx200-1-51
52	izolator	air inlet pipe	psrx200-1-52
53	garnitura carburator	carburetor paper pad	psrx200-1-53
54	pompita amorsare	prime button ii	psrx200-1-54
55	carburator	carburetor	psrx200-1-55
56	garnitura filtru aer	air filter paper pad	psrx200-1-56
57	simering 17x30x6	oil seal	psrx200-1-57
58	rulment 6203	rolling bearing	psrx200-1-58
59	arbore motor	crankshaft assy.	psrx200-1-59
59a	pana	key	psrx200-1-59a
60	ansamblu biela	connecting rod assy.	psrx200-1-60
61	siguranta bolt	piston pin circlip	psrx200-1-61
62	piston	piston	psrx200-1-62
63	bolt piston	piston pin	psrx200-1-63
64	set segmenti	piston ring assy	psrx200-1-64
68	ansamblu joja ulei	lubricating gauge assy	psrx200-1-68
69	buson rezervor	fuel tank cap	psrx200-1-69
69a	ansamblu buson rezervor	fuel tank cap assy	psrx200-1-69a
70	burete	fuel tank cap sponge	psrx200-1-70
71	garnitura buson	fuel tank cap seal gasket	psrx200-1-71
72	fir fluture	connect cable of fuel cap	psrx200-1-72
73	surub m6x20	bolt	psrx200-1-73
74	garnitura	cushion blocking gasket	psrx200-1-74
75	rezervor combustibil	fuel tank body	psrx200-1-75
76	suport rezervor dr	right bracket of fuel tank	psrx200-1-76
77	suport rezervor st	left bracket of fuel tank	psrx200-1-77
78	piulita m6	self-locking nut	psrx200-1-78
79	filtru benzina	filtering net duct of fuel	psrx200-1-79
80	colier	fuel pipe lock clamp I	psrx200-1-80

Producător motoutilaje

Documentatie tehnică

81	furtun alimentare	inlet fuel pipe	psrx200-1-81
82	colier	fuel pipe lock clamp II	psrx200-1-82
83	piulita m6	hex flange nuts	psrx200-1-83
84	brat regulator	throttle rocker arm	psrx200-1-84
85	surub	bolt	psrx200-1-85
86	sigiranta bolt	r type pin	psrx200-1-86
87	simering 6×11×4	oil seal	psrx200-1-87
88	ax regulator	rate-limiting rocker arm shaft	psrx200-1-88
89	clema	clip	psrx200-1-89
90	Placa	single phrase throttle assy.	psrx200-1-90
91	arc acceleratie	valve spring	psrx200-1-91
92	placa control acceleratie	single speed control panel	psrx200-1-92
93	parghie regulator	handspike of valve	psrx200-1-93
94	arc regulator	valve spring	psrx200-1-94
95	furtun epurator	waste pipe	psrx200-1-95
96	suport filtru aer	air filter pedestal	psrx200-1-96
97	placa	exhaust gas cover board	psrx200-1-97
98	filtru aer	air filter	psrx200-1-98
99	filtru	coarse sponge filter	psrx200-1-99
100	capac filtru aer	air filter upper cover	psrx200-1-100
101	garnitura capaca carter	respirator head gasket	psrx200-1-101
102	bolt ghidaj	spacing pin	psrx200-1-102
103	buson golire ulei	oil drain bolt	psrx200-1-103
104	garnitura buson golire ulei	oil drain bolt gasket	psrx200-1-104
105	capac carter	crank box cover	psrx200-1-105
106	simering 22×35×7	oil seal	psrx200-1-106
107	surubm6×40	bolt	psrx200-1-107
108	surub m6×32	bolt	psrx200-1-108
109	tachet	pin	psrx200-1-109
110	ax came	nynon camshaft assy.	psrx200-1-110
111	culisa	sliding sleeve	psrx200-1-111
112	pinion regulator	rete-limiting gear assy.	psrx200-1-112
113	siguranta	rate-limiting gear shaft clamp	psrx200-1-113
114	ax	rate-limiting gear shaft	psrx200-1-114
115	saiba	gasket	psrx200-1-115



Nr.crt	Denumire produs	Product name	Cod comanda
1	manson	foam pipe	psrx200-2-1
2	maner	upper handrail	psrx200-2-2
3	maneta motor stop	stop lever	psrx200-2-3
4	placa	lever guard	psrx200-2-4
5	piulita m6	hex lock nut	psrx200-2-5
6	suport cablu motor stop	brake cable assy plate	psrx200-2-6
7	surub m6x30	bolt	psrx200-2-7
8	pupitru	control board	psrx200-2-8
9	surub m5	hexagon head bolts	psrx200-2-9
10	garnitura	resilient washer	psrx200-2-10
11	saiba	large flat washer	psrx200-2-11
12	piulita m5	self-locking nut	psrx200-2-12
13	cablu motor stop	brake cable	psrx200-2-13

Producător motoutilaje

Documentatie tehnică

14	carlig	rope guide	psrx200-2-14
15	piulita m6	cap nut	psrx200-2-15
16	clema	fastener	psrx200-2-16
17	suport maner	lower handrail	psrx200-2-17
18	bolt $\phi 6 \times 20$	pin	psrx200-2-18
19	maner blocare	quick fix knob	psrx200-2-19
20	surub special	quick fix handle	psrx200-2-20
21	saiba	lock for fast fix handle	psrx200-2-21
22	dop	handrail stopper	psrx200-2-22
23	rozeta	triangle knob	psrx200-2-23
24	piulita m8	hexagon nut	psrx200-2-24
25	piulita rozeta	thin knob	psrx200-2-25
26	saiba	flat gasket	psrx200-2-26
27	surub special	half round head square neck bolts	psrx200-2-27
28	surub special	half round head square neck bolts	psrx200-2-28
29	rozeta	triangle knob	psrx200-2-29
30	capac	outer cover of hub	psrx200-2-30
31	piulita m8	self-locking nut	psrx200-2-31
32	roata spate	wheel assy.	psrx200-2-32
33	bucsa ajustare	height adjustment ball	psrx200-2-33
34	saiba	wave washer	psrx200-2-34
35	ax roti spate	rear drive assy.	psrx200-2-35
36	siguranta	r type pin	psrx200-2-36
37	surub m6x12	bolt	psrx200-2-37
38	saiba	flat washer	psrx200-2-38
39	tija ajustare inaltime	height adjustment pull rod	psrx200-2-39
40	carcasa	deck assy.	psrx200-2-40
41	bucsa	cable stopper	psrx200-2-41
42	surub	bolt	psrx200-2-42
43	surub m8x15	half round head square neck bolts	psrx200-2-43
44	placa prindere st	left bracket	psrx200-2-44
45	suport sac	rear discharge base	psrx200-2-45
46	saiba	large flat washer	psrx200-2-46
47	surub st6.3x18	phillips flat head selftapping screw	psrx200-2-47
48	clema	rear discharge base	psrx200-2-48
49	placa prindere dr	right bracket	psrx200-2-49
50	motor	petrol engine	psrx200-2-50
51	placa	square gas	psrx200-2-51
52	surub m8x25	hexagon head bolts	psrx200-2-52
53	o-ring $\phi 11.2 \times \phi 2.65$	"o" ring	psrx200-2-53
54	stut	inlet	psrx200-2-54

Producător motoutilaje

Documentatie tehnică

55	stut	exhalent siphon	psrx200-2-55
56	placa ajustare inaltime	board for height adjuster	psrx200-2-56
57	sac colector	fabric grass bag	psrx200-2-57
58	surub	phillips flat head selftapping screw	psrx200-2-58
59	saiba	blade washer	psrx200-2-59
60	capac sac colector	top of grass box	psrx200-2-60
61	sita	air-out board of fabric grass bag cover	psrx200-2-61
62	capac supraplin	protection board of grass bag	psrx200-2-62
63	cadru sac	plastic top frame	psrx200-2-63
64	siguranta	lock washer	psrx200-2-64
65	arc	rear discharge cover	psrx200-2-65
66	capac evacuare	cover spring	psrx200-2-66
67	tija	shaft for rear discharge cover	psrx200-2-67
68	roata fata	wheel assy.	psrx200-2-68
69	ax roti fata	front drive assy.	psrx200-2-69
70	suport cutit	blade adapter	psrx200-2-70
71	cutit	blade	psrx200-2-71
72	saiba	blade washer	psrx200-2-72
73	surub	inch hex flange bolts	psrx200-2-73