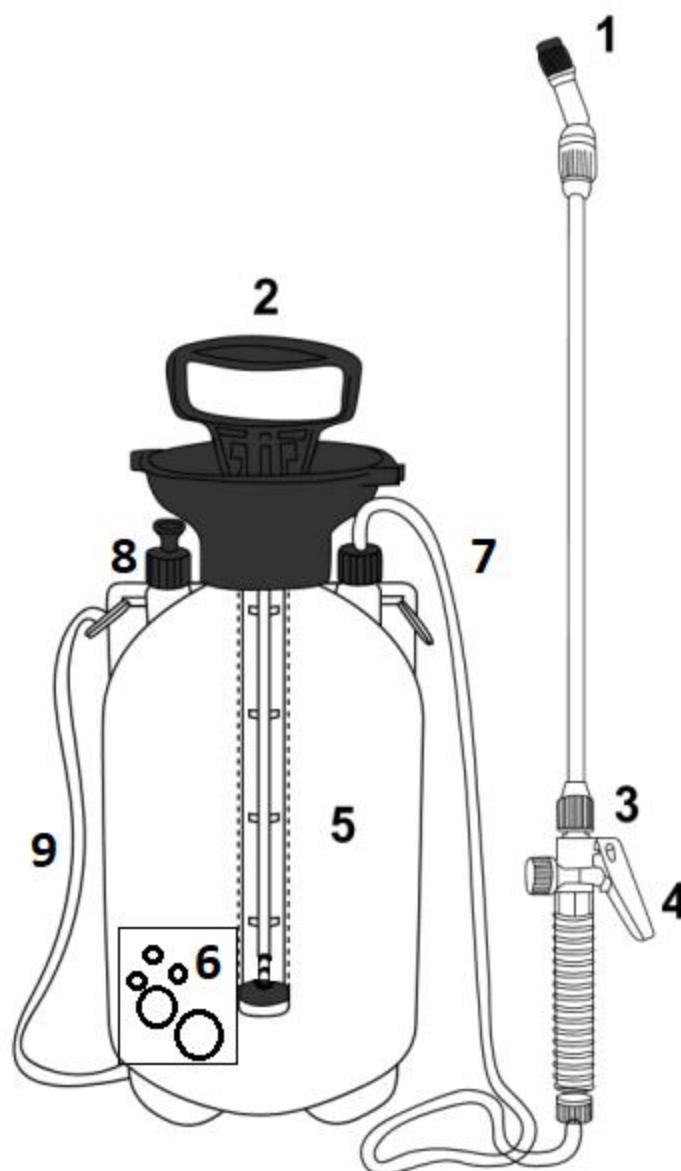


## Documentatie tehnica pulverizator RS800



Nr.crt	Denumire produs	Product name	Cod intern RS800
1	diuza	nozzle	psrs500-1
2	maner pompa	pump handle	psrs500-2
3	lance	nozzle connector	psrs500-3
4	declansator	trigger	psrs500-4
5	bazin	spray bottle	psrs800-5
6	set garnituri	gasket	psrs500-6
7	furtun	rubber pipe	psrs500-7
8	aerisitor	vent valve	psrs500-8
9	curea	strap	psrs500-9