

Documentatie tehnica Emondor R10

Figura 1

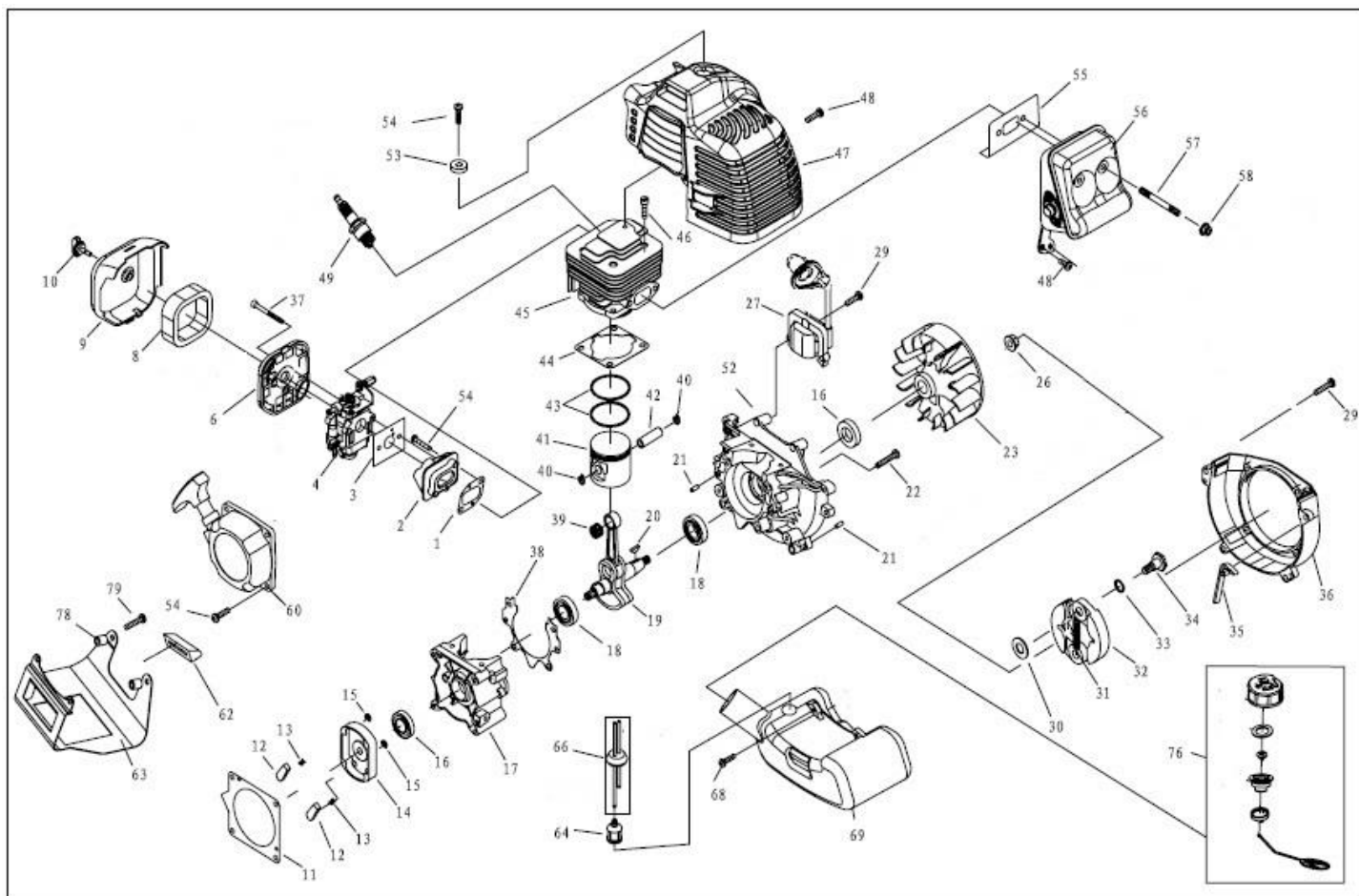


Figura 1

Nr. Crt	Denumire produs	Product name	Cod comanda
1	garnitura izolator	gasket insulator	psr10-1-1
2	izolator	insulator carburetor	psr10-1-2
3	garnitura carburator	carburetor gasket	psr10-1-3
4	carburator	carburetor	psr10-1-4
6	suport filtru aer	air filter holder	psr10-1-6
8	filtru aer	air filter	psr10-1-8
9	capac filtru aer	air filter cover	psr10-1-9
10	surub	bolt	psr10-1-10
11	placa	plate	psr10-1-11

Producător motoutilaje

Documentatie tehnică

12	clichet	pawl	psr10-1-12
13	arc	spring	psr10-1-13
14	cuplaj	coupling	psr10-1-14
15	siguranta	clip	psr10-1-15
16	simering	seal	psr10-1-16
17	semicarter	crank case	psr10-1-17
18	rulment	bearing	psr10-1-18
19	ambielaj	crankshaft	psr10-1-19
20	pana	key	psr10-1-20
21	pin de ghidare	pin	psr10-1-21
22	surub	bolt	psr10-1-22
23	volanta	flywheel	psr10-1-23
26	piulita	nut	psr10-1-26
27	modul aprindere	ignition coil	psr10-1-27
29	surub	bolt	psr10-1-29
30	saiba	washer	psr10-1-30
31	arc ambreiaj	spring clutch	psr10-1-31
32	contragreutati ambreiaj	clutch counterweights	psr10-1-32
33	saiba elastica	spring washer	psr10-1-33
34	surub	bolt	psr10-1-34
35	deflector	deflector	psr10-1-35
36	carcasa ventilator	fan cover	psr10-1-36
37	surub	bolt	psr10-1-37
38	garnitura carter	crankcase gasket	psr10-1-38
39	rulment ace	needle bearing	psr10-1-39
40	siguranta bolt piston	piston pin clip	psr10-1-40
41	piston	piston	psr10-1-41
42	bolt piston	piston pin	psr10-1-42
43	set segmenti	piston ring	psr10-1-43
44	garnitura cilindru	cylinder gasket	psr10-1-44
45	cilindru	cylinder	psr10-1-45
46	surub	bolt	psr10-1-46
47	capota	hood	psr10-1-47
48	surub	bolt	psr10-1-48
49	bujie	spark plug	br2t
52	semicarter	crank case	psr10-1-52
53	saiba	washer	psr10-1-53
54	surub	bolt	psr10-1-54
55	garnitura toba esapament	muffler gasket	psr10-1-55
56	toba esapament	muffler	psr10-1-56
57	prezon	stud	psr10-1-57

58	piulita	nut	psr10-1-58
60	ansamblu demaror	starter assembly	psr10-1-60
62	manson	rubber	psr10-1-62
63	suport rezervor	tank holder	psr10-1-63
64	filtru combustibil	fuel filter	psr10-1-64
66	sistem alimentare	supply system	psr10-1-66
68	surub	bolt	psr10-1-68
69	rezervor combustibil	fuel tank	psr10-1-69
76	ansamblu buson rezervor	cover fuel tank	psr10-1-76
78	bucsa	bush	psr10-1-78
79	surub	bolt	psr10-1-79

Figura 2

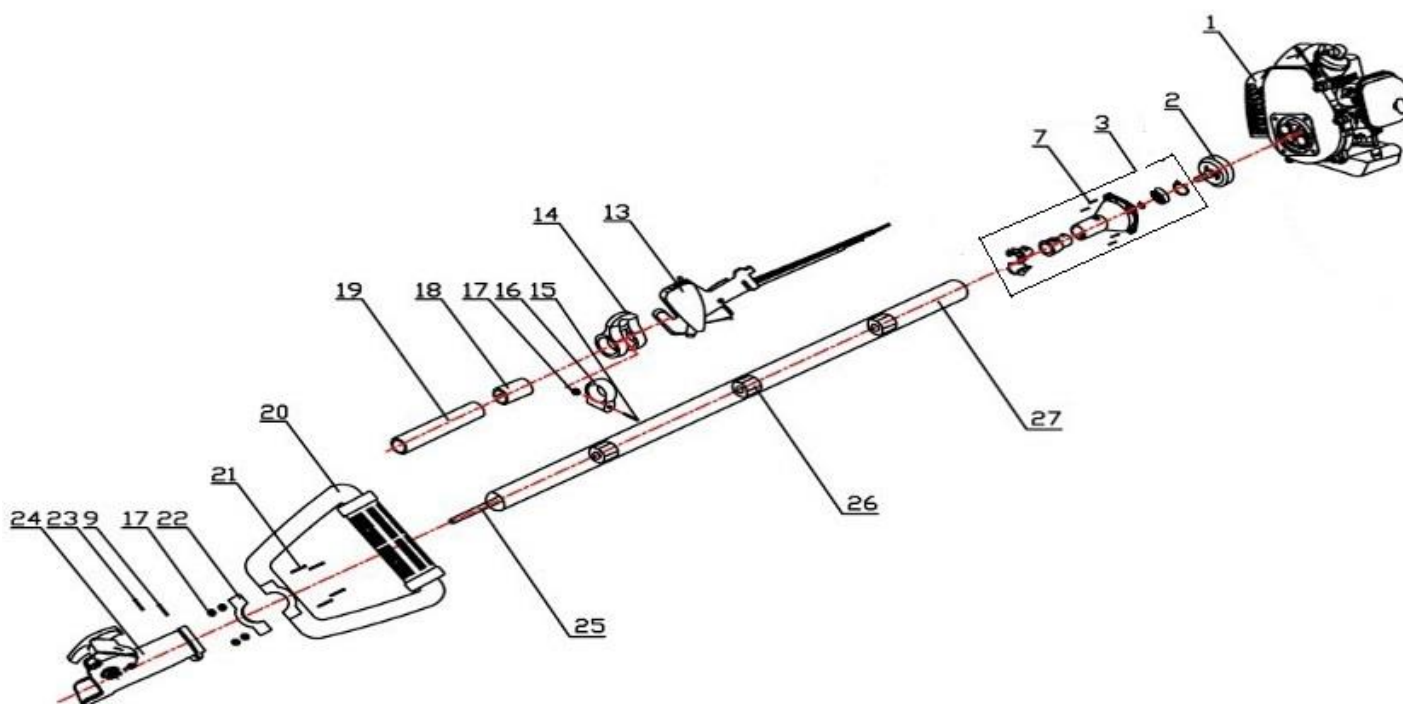


Figura 2

Nr. Crt	Denumire produs	Product name	Cod comanda
1	motor	engine	psr10-2-1
2	oala ambreiaj	clutch drum	psr10-2-2
3	ansamblu cuplaj	clutch case assembly	psr10-2-3
7	surub	bolt	psr10-2-7
9	surub	bolt	psr10-2-9
13	maneta acceleratie	control box assembly	psr10-2-13
14	colier prindere	neck clasp	psr10-2-14
15	surub	bolt	psr10-2-15
16	colier fixare	fixing necklace	psr10-2-16
17	piulita	nut	psr10-2-17
18	protectie	protection	psr10-2-18
19	protectie	protection	psr10-2-19
20	maner	handle	psr10-2-20
21	surub	bolt	psr10-2-21
22	brida maner	bridle	psr10-2-22
23	surub	bolt	psr10-2-23
24	ansamblu fixare tija	rod fixing assembly	psr10-2-24
25	arbore	axle	psr10-2-25
26	tub ghidaj	bush	psr10-2-26
27	tija	rod	psr10-2-27

Figura 3

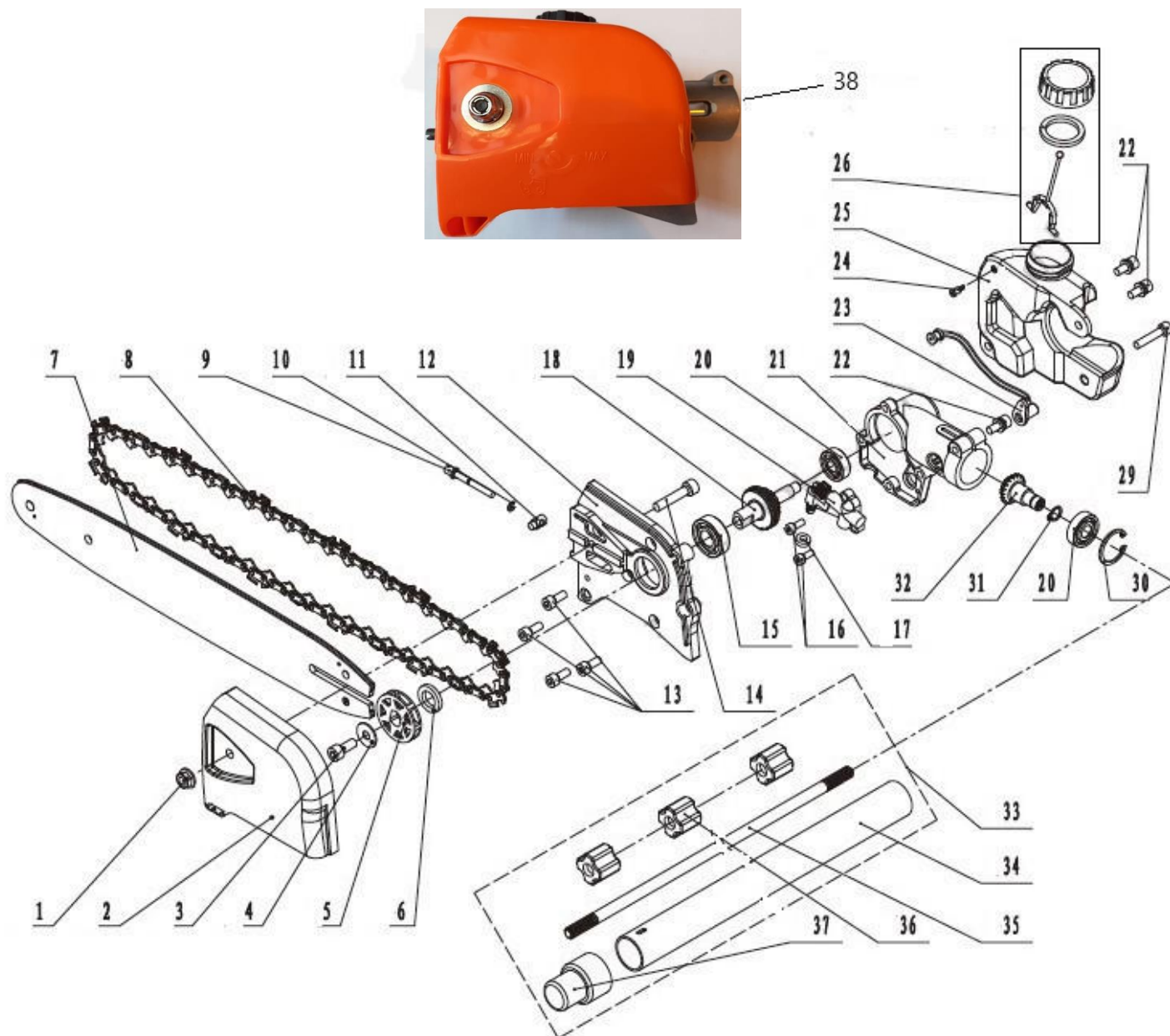


Figura 3

Nr. Crt	Denumire produs	Product name	Cod comanda
1	piulita	nut	psr10-3-1
2	capac lant	chain cover	psr10-3-2
3	surub	bolt	psr10-3-3
4	saiba	washer	psr10-3-4
5	inel roata lant	sproket	psr10-3-5
6	distantier	spacer	psr10-3-6
7	lama	blade	csr10-3-7
8	lant	chain	psr10-3-8
9	surub intinzator	screw chain adjusting	psr10-3-9
10	saiba	washer	psr10-3-10
11	piulita intinzator	tensioner nut	psr10-3-11
12	capac	cover	psr10-3-12
13	surub	bolt	psr10-3-13
14	prezon	stud	psr10-3-14
15	rulment	bearing	psr10-3-15
16	surub	bolt	psr10-3-16
17	burete	sponge	psr10-3-17
18	pinion	gear	psr10-3-18
19	pompa ulei	oil pump	psr10-3-19
20	rulment	bearing	psr10-3-20
21	carcasa reductor	transmission housing	psr10-3-21
22	surub	bolt	psr10-3-22
23	furtun alimentare ulei	oil pipe	psr10-3-23
24	supapa dezaerare	vent valve	psr10-3-24
25	rezervor ulei	oil tank	psr10-3-25
26	ansamblu buson ulei	cover oil tank	psr10-3-26
29	surub	bolt	psr10-3-29
30	zegher	zegher	psr10-3-30
31	zegher	zegher	psr10-3-31
32	pinion	gear	psr10-3-32
33	ansamblu tija	rod fixing assembly	psr10-3-33
34	tija	rod	psr10-3-34
35	arbore	axle	psr10-3-35
36	tub ghidare	bush	psr10-2-26
37	conector	connector	psr10-3-37
38	ansamblu garnitura taietoare	cutter assembly	psr10-3-38