

Documentatie tehnica motopompa MP80

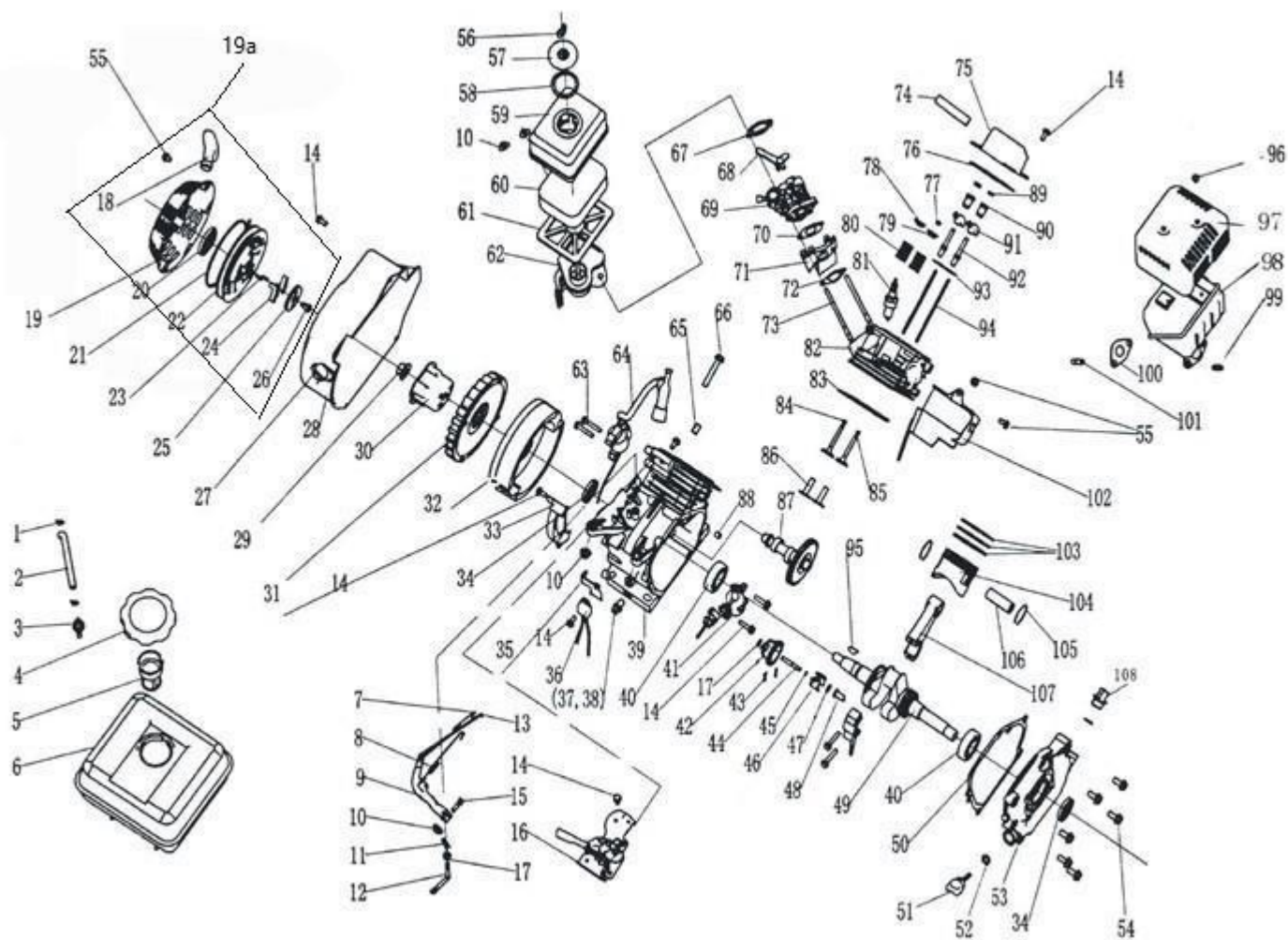


Figura 1

Nr. Crt	Denumire produs	Product name	Cod comanda
1	clema	CLIP TUBE	psmp80-1-1
2	frutun combustibil	TUBE FUEL	psmp80-1-2
3	filtru combustibil	JOINT ASSY FUEL TANK	psmp80-1-3
4	buson rezervor	CAP COMP FUEL FILLER	psmp80-1-4
5	sita	FILTER FUEL	psmp80-1-5
6	rezervor combustibil	TANK COMP FUEL	psmp80-1-6
7	arc acceleratie	SPRING THROTTLE RETURN	psmp80-1-7
8	arc acceleratie	SPRING THROTTLE RETURN	psmp80-1-8
9	parghie	ARM GOVERNOR	psmp80-1-9
10	piulita	NUT FLANGE	psmp80-1-10
11	bolt	PIN LOCK	psmp80-1-11
12	brat regulator	SHAFT GOVERNOR ARM	psmp80-1-12
13	tija	ROD GOVERNOR	psmp80-1-13
14	surub	BOLT FLANGE	psmp80-1-14
15	surub	BOLT QUADRATE HEAD	psmp80-1-15
16	maneta acceleratie	CONTROL ASSY	psmp80-1-16
17	saiba	WASHER PAIN	psmp80-1-17
18	maner demaror	KNOB RECOIL STARTER	psmp80-1-18
19	capac demaror	COVER COMP FAN	psmp80-1-19
19a	demaror	STARTER ASSY	psmp80-1-19a
20	arc recuperator	SPRING RECOIL SATRTER	psmp80-1-20
21	sfoara	ROPE	psmp80-1-21
22	rola demaror	REEL RECOIL STARTER	psmp80-1-22
23	arc	SPRING RETURN	psmp80-1-23
24	clichet	RATCHET STARTER	psmp80-1-24
25	saiba	WASHER	psmp80-1-25
26	surub	SCREW SETTING	psmp80-1-26
27	buton	SWITCH ASSY ENGINE STOP (OIL ALERT)	psmp80-1-27
28	carcasa ventilator	COVER COMP FAN	psmp80-1-28
29	piulita speciala	NUT SPECIAL	psmp80-1-29
30	cuplaj	PULLEY STARTER	psmp80-1-30
31	ventilator	FAN COOLING	psmp80-1-31
32	volanta	FLYWHEEL COMP	psmp80-1-32
33	deflector	DIVERSION ASSY	psmp80-1-33
34	simering	OIL SEAL25*41.25*6	psmp80-1-34
35	placa	PLATE SIDE SUPPORT	psmp80-1-35
36	condensator	ALART UNIT OIL	psmp80-1-36
37	buson drenaj	BOLT DRAIN PLUG	psmp80-1-37

Producător motoutilaje

Documentatie tehnică

38	saiba	WASHER DRAIN PLUG 10×15×1.2	psmp80-1-38
39	carter	CRANK CASE	psmp80-1-39
40	rulment	BEARING RADIAL BALL	psmp80-1-40
41	senzor ulei	OIL LEVEL SWITCH	psmp80-1-41
42	pinion regulator	GEAR GOVERNOR	psmp80-1-42
43	bolt	PIN GOVERNOR WEIGHT	psmp80-1-43
44	ax regulator	SHAFT GOVERNOR	psmp80-1-44
45	siguranta	CLIP GOVERNOR HOLDER	psmp80-1-45
46	contragreutati	WEIGHT GOVERNOR	psmp80-1-46
47	saiba	WASHER PAIN 6×15×0.5	psmp80-1-47
48	culisa	SLIDER GOVERNOR	psmp80-1-48
49	arbore	CRANKSHAFT COMP	psmp80-1-49
50	garnitura carter	PACKING CASE COVER	psmp80-1-50
51	joja	OIL STICK	psmp80-1-51
52	oring	ORING	psmp80-1-52
53	capac carter	COVER	psmp80-1-53
54	surub	BOLT FLANGE	psmp80-1-54
55	surub	BOLT FLANGE	psmp80-1-55
56	piulita fluture	NUT TOOL BOX SETTING	psmp80-1-56
57	saiba	WASHER	psmp80-1-57
58	garnitura	SEAL AIR CLEANER	psmp80-1-58
59	capac filtru aer	COVER AIR CLEANER	psmp80-1-59
60	filtru aer	FILTER OUTER	psmp80-1-60
61	rama filtru aer	AIR FILTER FRAME	psmp80-1-61
62	suport filtru aer	AIR FILTER HOLDER	psmp80-1-62
63	surub	BOLT FLANGE 6*25	psmp80-1-63
64	modul aprindere	COIL ASSY IGNITION	psmp80-1-64
65	pin de ghidare	PIN DOWER	psmp80-1-65
66	surub	BOLT FLANGE 8*55	psmp80-1-66
67	garnitura filtru aer	SPACER COMP AIR CLEANER	psmp80-1-67
68	levier soc	LEVER COMP CHOKE	psmp80-1-68
69	carburator	CARBURETOR	psmp80-1-69
70	garnitura carburator	PACKING CABURETOR	psmp80-1-70
71	izolator	INSULATOR CARBURETOR	psmp80-1-71
72	garnitura izolator	PACKING INSUL ATOR	psmp80-1-72
73	prezon	BOLT STUD IN	psmp80-1-73
74	furtun epurator	TUBE BREATHER	psmp80-1-74
75	capac culbutori	COVER COMP HEAD	psmp80-1-75
76	garnitura capac culbutori	PACKING HEAD COVER	psmp80-1-76
77	pastila	RATATOR VALVE	psmp80-1-77
78	taler supapa admisie	SEAL GUIDE	psmp80-1-78

Producător motoutilaje

Documentatie tehnică

79	taler supapa evacuare	RETAINER VALVE SPRING	psmp80-1-79
80	arc supapa	SPRING VALVE	psmp80-1-80
81	bujie	PLUG SPARK	br4t
82	chiuloasa	HEAD COMP CYLINDER	psmp80-1-82
83	garnitura chiuloasa	GASKET CYLINDER	psmp80-1-83
84	supapa admisie	VALVE IN	psmp80-1-84
85	supapa evacuare	VALVE EX	psmp80-1-85
86	tachet	LEFTER VALVE	psmp80-1-86
87	ax came	CAMSHAFT ASSY	psmp80-1-87
88	pin de ghidare	PIN FLYING BLOCK	psmp80-1-88
89	piulita	NUT PIVOT ADJUSTING	psmp80-1-89
90	piulita speciala	PIVOT ROCKER ARM	psmp80-1-90
91	culbutori	ARM VALVE ROCKER	psmp80-1-91
92	prezon	BOLT PIVOT ARM	psmp80-1-92
93	placa	PLATE ASSY	psmp80-1-93
94	tija	ROD PUSH	psmp80-1-94
95	pana	KEY SPECIAL WOODRUFF	psmp80-1-95
96	surub	SCREW TAPPINIG 5*8	psmp80-1-96
97	protectie toba esapament	PROTECTOR MUFFLER	psmp80-1-97
98	toba esapament	MUFFLER ASSY	psmp80-1-98
99	piulita	NUT HEX 8MM	psmp80-1-99
100	garnitura toba esapament	GASKET MUFFLER	psmp80-1-100
101	prezon	BOLT STUD EXHAUST	psmp80-1-101
102	protectie	SHROUD	psmp80-1-102
103	set segmenti	RING SET	psmp80-1-103
104	piston	PISTON	psmp80-1-104
105	siguranta bolt piston	CLIP PISTON PIN	psmp80-1-105
106	bolt piston	PIN PISTON	psmp80-1-106
107	biela	CONNECTING ROD	psmp80-1-107
108	buson ulei	OIL CAP	psmp80-1-108

Figura 2

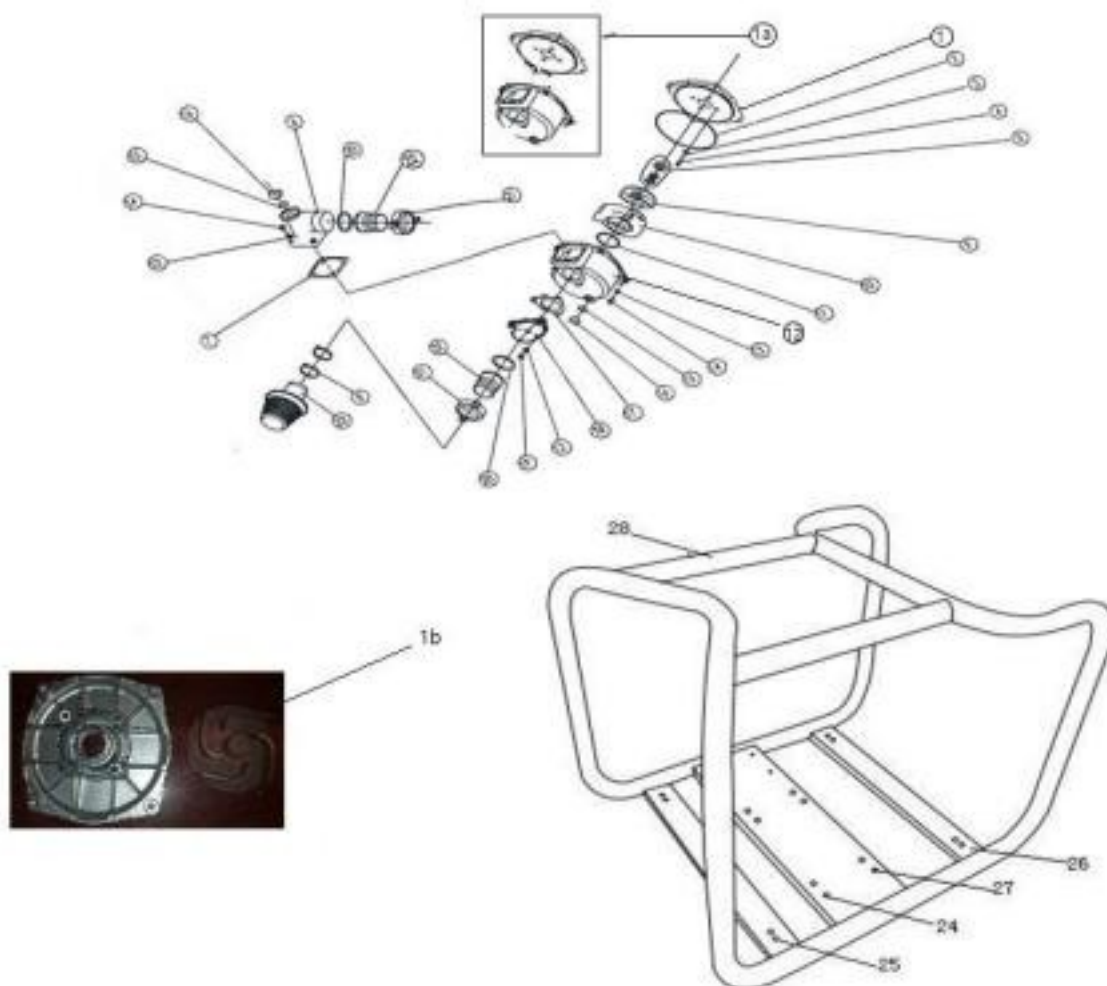


Figura 2

Nr. Crt	Denumire produs	Product name	Cod intern MP80
1a	corp pompa	BODY PUMP	psmp80-2-1a
1	capac pompa	SUPPORT SEAT	psmp80-2-1
1b	capac pompa+turbina	SUPPORT SEAT+IMPELLER	psmp80-2-1b

Producător motoutilaje

Documentatie tehnică

2	oring	PUMP SEAL RING	psmp80-2-2
3	saiba	FLAT GASKET/GB97-8*16*1	psmp80-2-3
4	surub	BOLT/GB5789-M8*55	psmp80-2-4
5	etansare mecanica	WATER SEAL	psmp80-2-5
6	cap evacuare	OUTPUT FLANGE	psmp80-2-6
7	garnitura	OUTPUT FLANGE GASKET	psmp80-2-7
8	colier	HOOP	psmp80-2-8
9	turbina	IMPELLER	psmp80-2-9
10	carcasa turbina	VOLUTE CASE	psmp80-2-10
11	oring	VOLUTE CASE SEAL RING	psmp80-2-11
12	carcasa pompa	PUMP CASE	psmp80-2-12
13	saiba	WASHER	psmp80-2-13
14	surub	BOLT/GB5789-M10*25/WHITE ZINC	psmp80-2-14
15	oring	PLUG SCREW WITH SEAL RING	psmp80-2-15
16	buson drenaj	PLUG SCREW	psmp80-2-16
17	clapeta	INSPECT VALVE	psmp80-2-17
18	cap absortie	INFLOW FLANGE/2 INCH	psmp80-2-18
19	surub	BOLT	psmp80-2-19
20	garnitura	SEAL RING(2 INCH PUMP)	psmp80-2-20
21	piulita racord	INLET OUTLET CONNECTOR/CASTING ALUMINUM	psmp80-2-21
22	racord	INLET OUTLET JOINT/CASTING ALUMINUM	psmp80-2-22
23	sorb	FILTER BOTTOM VALVE	psmp80-2-23
24	surub	BOLT/GB5787-M8*35	psmp80-2-24
25	surub	BOLT/GB5787-M6*12	psmp80-2-25
26	amortizor	WATER PUMP DAMPER RUBBER	psmp80-2-26
27	piulita	NUT/GB6177-M8	psmp80-2-27
28	cadru	FRAME	psmp80-2-28