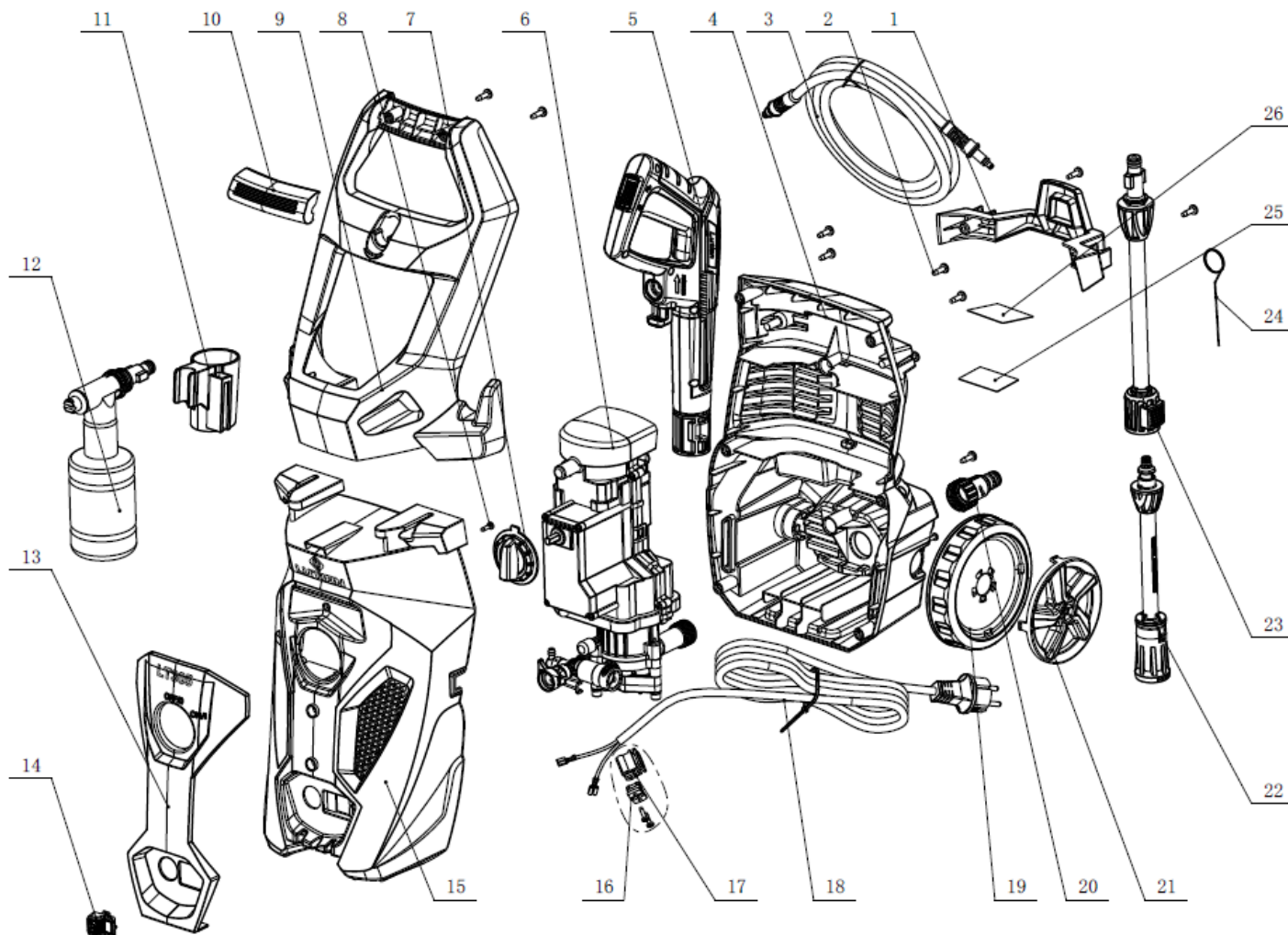


Documentatie tehnica spalator CPJ1300



Nr.crt	Denumire produs	Product name	Cod comanda
1	suport accesorii	Accessories holder	pscpj1300-1
2	surub	Screw ST4.8x16	pscpj1300-2
3	furtun de presiune	High pressure hose	pscpj1300-3
4	carcasa spate	Back housing	pscpj1300-4
5	lance	Gun	pscpj1300-5
6	motor + pompa	MP101 moto+pump assy	pscpj1300-6
7	comutator	Swith knob	pscpj1300-7
8	surub	Screw ST3.5x13F	pscpj1300-8

Producător motoutilaje

Documentatie tehnică

9	maner lung	Long handle	pscpj1300-9
10	protectie maner	Handle cover	pscpj1300-10
11	suport lance	Short gun holder	pscpj1300-11
12	bazin detergent	Soap bottle	pscpj1300-12
13	placa decorativa fata	Decorative plate <front>	pscpj1300-13
14	buton	Button	pscpj1300-14
15	carcasa fata	Front housing	pscpj1300-15
16	placa presare cablu	Power cable press plate	pscpj1300-16
17	manson cablu	Power cable jacket	pscpj1300-17
18	cablu de alimentare	Power cable	pscpj1300-18
19	roata	Wheel	pscpj1300-19
20	conector	Water inlet connector	pscpj1300-20
21	capac roata	Wheel cover	pscpj1300-21
22	diuza reglabila	Adjustable nozzle	pscpj1300-22
23	bara de extensie	Extension wand	pscpj1300-23
24	pin de curatare	Cleaning pin	pscpj1300-24
25	eticheta avertizare	Warning Label	pscpj1300-25
26	eticheta date tehnice	Data plateLabel	pscpj1300-26