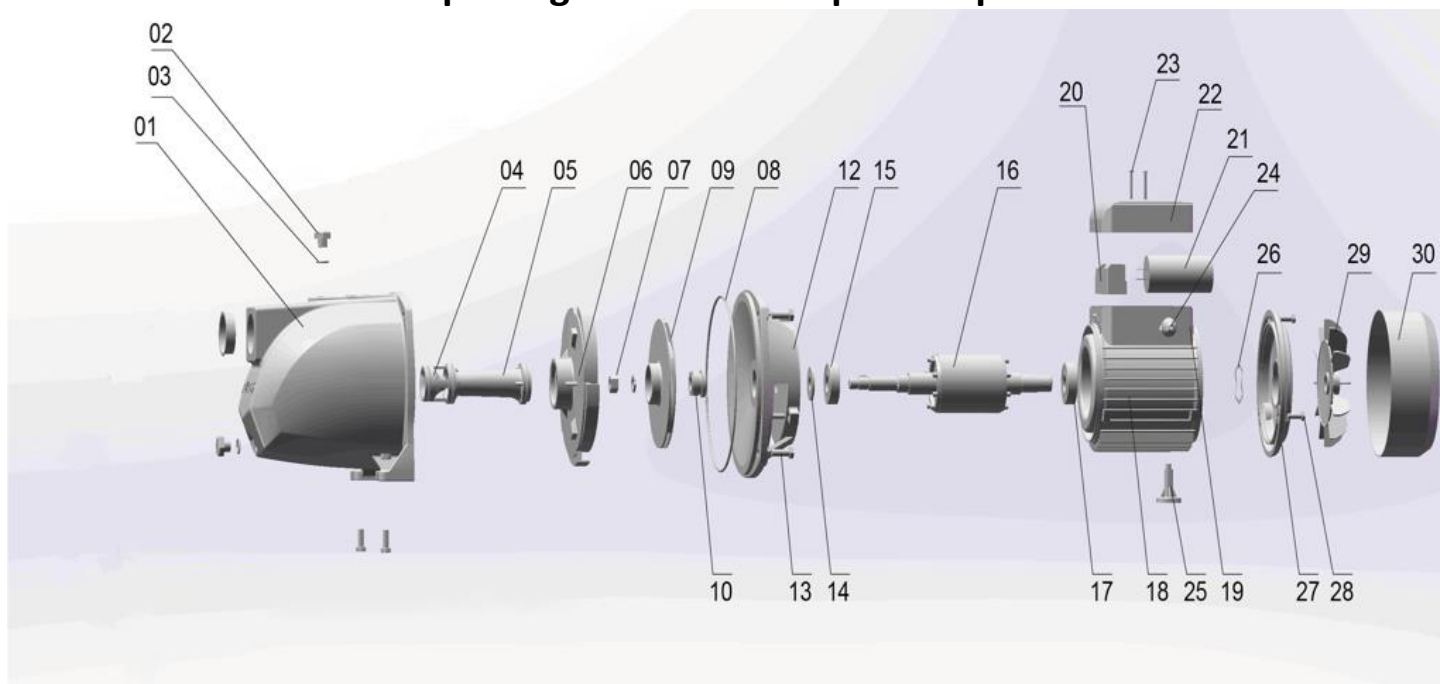


Documentatie tehnica Hidrofor Aqua Power 2011S, Pompa de gradina Ruris Aqua Pump 990S

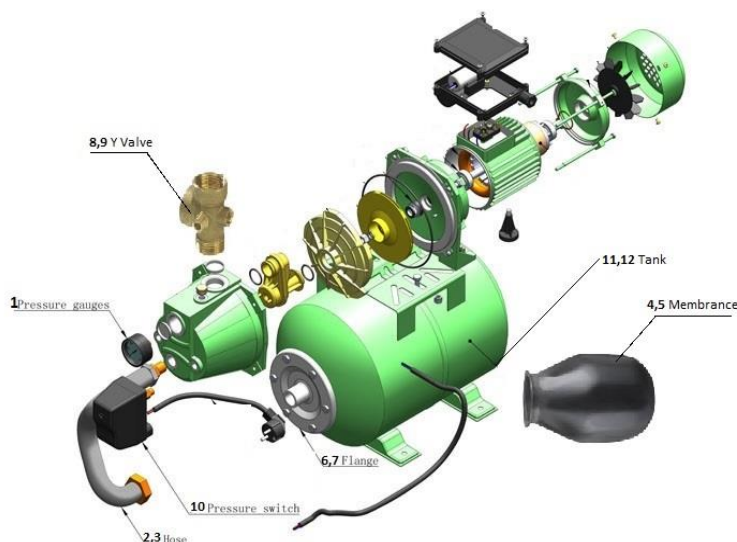


Nr. Crt	Denumire produs	Product name	Cod comanda
1	corp pompa	pump casting	psh2011s-1
2	buson amorsare	Drain plug	psh2011s-2
3	O ring	o ring	psh2011s-3
4	diuza	nozzle	psh2011s-4
5	tub venturi	venturi pipe	psh2011s-5
6	difuzor	diffuser	psh2011s-6
7	piulita	Impeller Stop Nut	psh2011s-7
8	O ring	O ring for diffuser	psh2011s-8
9	turbina	Impeller	psh2011s-9
10	etansare mecanica	Mechanical Seal	psh2011s-10
11	O ring	O ring for Pump Body	psh2011s-11
12	suport pompa	Pump Support	psh2011s-12
13	Șurub	Screw For Pump Body	psh2011s-13
14	Splash Guard	Splash Guard	psh2011s-14
15	rulment	Ball Bearing	psh2011s-15
16	rotor	Shaft and rotor	psh2011s-16
17	rulment	Ball Bearing	psh2011s-17
18	Stator	casing with wound stator	psh2011s-18
19	cutie	Capacitor Holding box	psh2011s-19

Producător motoutilaje

Documentatie tehnică

20	cutie	Washer for terminal box	psh2011s-20
21	condensator	Capacitor	psh2011s-21
22	capac	Terminal Cover	psh2011s-22
23	Șurub	Screw For Terminal Box Fixing	psh2011s-23
24	Gaură de ieșire	Outlet Hole	psh2011s-24
25	Picioare	Foot	psh2011s-25
26	Inel de reglare	Adjusting Ring	psh2011s-26
27	Capac motor	Motor Cover	psh2011s-27
28	Motor-Tie-rod	Motor-Tie-rod	psh2011s-28
29	ventilator	Fan	psh2011s-29
30	capac ventilator	Fan Cover	psh2011s-30



Nr. Crt	Denumire produs	Product name	Cod comanda
1	manometru	PRESSURE GAUGE	psh-1
2	furtun 30CM	BIG HOSE 30CM	psh-2
3	furtun 50CM	BIG HOSE 50CM	psh-3
4	membrana 24L	MEMBRANCE FOR 24L	psh-4
5	membrana 50L	MEMBRANCE FOR 50L	psh-5
6	flansa rezervor 24L	TANK FLANGE FOR 24L	psh-6
7	flansa rezervor 50L	TANK FLANGE FOR 50L	psh-7
8	racord 3 cai	3 Y VALVE	psh-8
9	racord 5 cai	5 Y VALVE	psh-9
10	presostat	PRESSURE SWITCH	psh-10
11	rezervor 24L	TANK 24L	psh-11
12	rezervor 50L	TANK 50L	psh-12