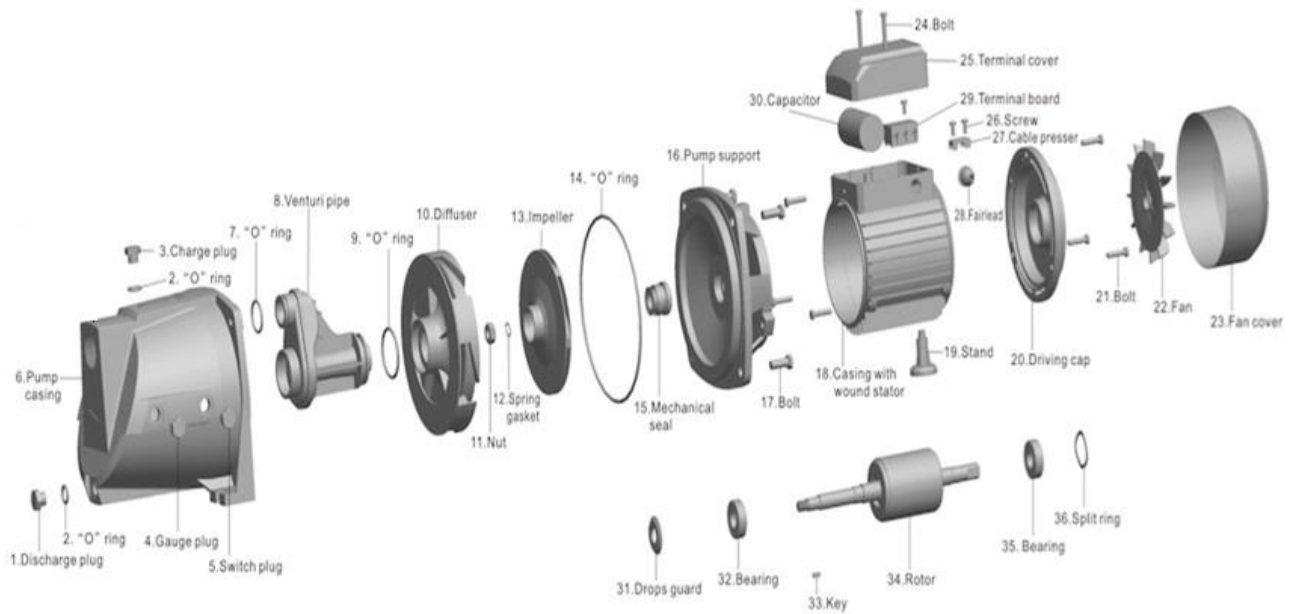
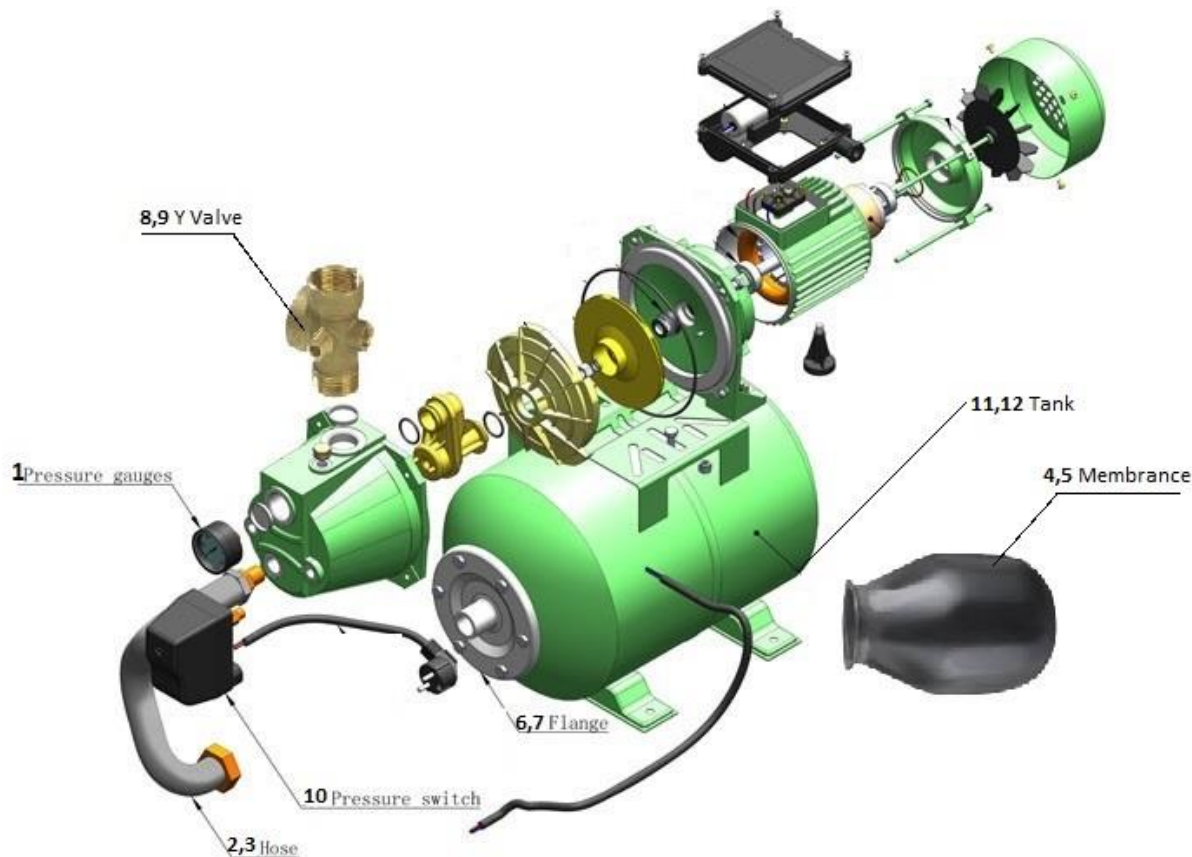


## Documentatie tehnica Aqua Power 2011



Nr. Crt	Denumire produs	Product name	Cod intern
1	buson evacuare	discharge plug	psh2011-1
2	oring	oring	psh2011-2
3	buson amorsare	charge plug	psh2011-3
4	buson	gauge plug	psh2011-4
5	buson	switch plug	psh2011-5
6	corp pompa	casing pump	psh2011-6
7	oring	oring	psh2011-7
8	tub venturi	venturi pipe	psh2011-8
9	oring	oring	psh2011-9
10	difuzor	diffuser	psh2011-10
11	piulita	nut	psh2011-11
12	saiba grover	spring gasket	psh2011-12
13	turbina	impeller	psh2011-13
14	oring	oring	psh2011-14
15	etansare mecanica	mechanical seal	psh2011-15
16	suport pompa	pump support	psh2011-16
17	surub	bolt	psh2011-17
18	stator	casing with wound stator	psh2011-18
19	suport	stand	psh2011-19
20	capac motor	driving cap	psh2011-20
21	surub	bolt	psh2011-21
22	ventilator	fan	psh2011-22
23	capac ventilator	fan cover	psh2011-23
24	surub	bolt	psh2011-24
25	capac	terminal cover	psh2011-25
26	surub	screw	psh2011-26
27	clema	cable presser	psh2011-27
28	manson	fairlead	psh2011-28
29	placa	terminal board	psh2011-29
30	condensator	capacitor	psh2011-30
31	manseta	drops guard	psh2011-31
32	rulment	bearing	psh2011-32
33	pana	key	psh2011-33
34	rotor	rotor	psh2011-34
35	rulment	bearing	psh2011-35
36	saiba elastica	split ring	psh2011-36



Nr. Crt	Denumire produs	Product name	Cod intern
1	manometru	PRESSURE GAUGE	psh-1
2	furtun 30CM	BIG HOSE 30CM	psh-2
3	furtun 50CM	BIG HOSE 50CM	psh-3
4	membrana 24L	MEMBRANCE FOR 24L	psh-4
5	membrana 50L	MEMBRANCE FOR 50L	psh-5
6	flansa rezervor 24L	TANK FLANGE FOR 24L	psh-6
7	flansa rezervor 50L	TANK FLANGE FOR 50L	psh-7
8	racord 3 cai	3 Y VALVE	psh-8
9	racord 5 cai	5 Y VALVE	psh-9
10	presostat	PRESSURE SWITCH	psh-10
11	rezervor 24L	TANK 24L	psh-11
12	rezervor 50L	TANK 50L	psh-12