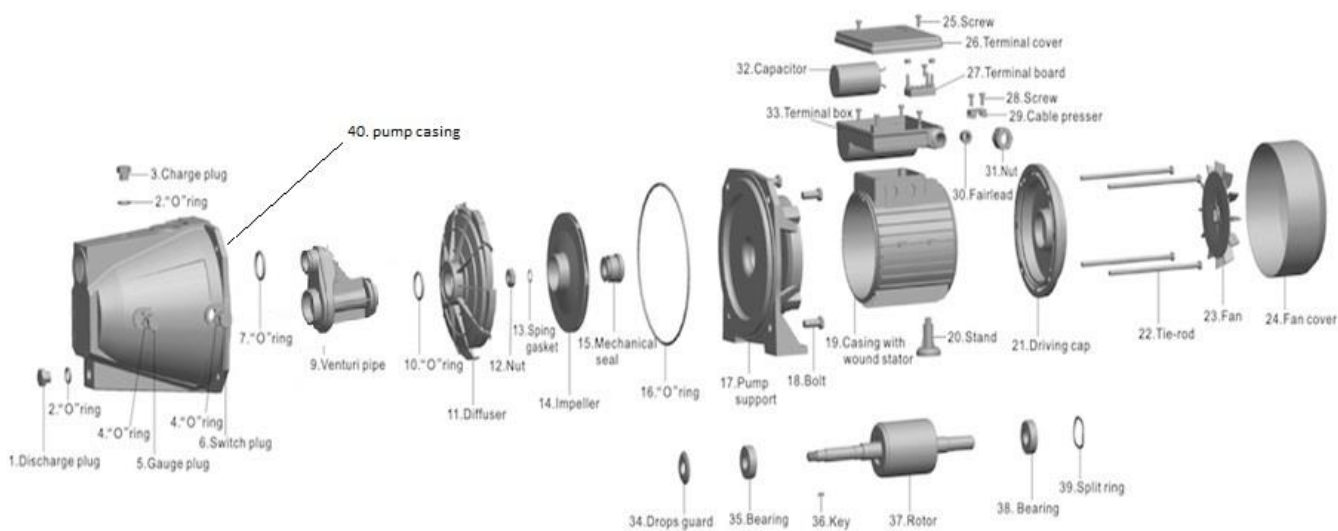
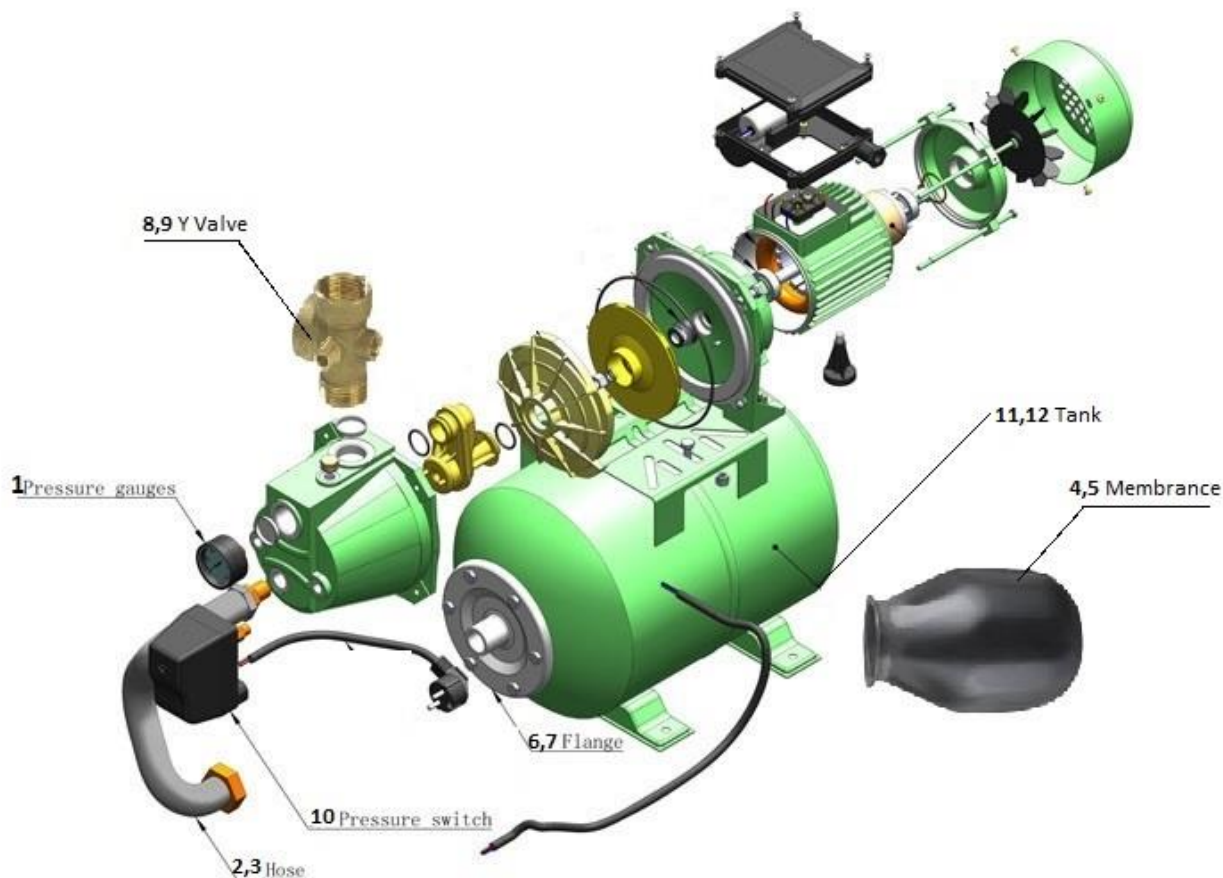


Documentatie tehnica Aqua Power 2010



Nr. Crt	Denumire produs	Product name	Cod intern
1	buson evacuare	discharge plug	psh2010-1
2	oring	oring	psh2010-2
3	buson amorsare	charge plug	psh2010-3
4	oring	oring	psh2010-4
5	buson	gauge plug	psh2010-5
6	buson	switch plug	psh2010-6
7	oring	oring	psh2010-7
8	diuza	nozzle	psh2010-8
9	tub venturi	venturi pipe	psh2010-9
10	oring	oring	psh2010-10
11	difuzor	diffuser	psh2010-11
12	piulita	nut	psh2010-12
13	saiba grover	spring gasket	psh2010-13
14	turbina	impeller	psh2010-14
15	etansare mecanica	mechanical seal	psh2010-15
16	oring	oring	psh2010-16
17	suport pompa	pump support	psh2010-17
18	surub	bolt	psh2010-18
19	stator	casing with wound stator	psh2010-19
20	suport	stand	psh2010-20
21	capac motor	driving cap	psh2010-21
22	surub	tie-rod	psh2010-22
23	ventilator	fan	psh2010-23
24	capac ventilator	fan cover	psh2010-24
25	surub	screw	psh2010-25
26	capac	terminal cover	psh2010-26
27	placa	terminal board	psh2010-27
28	surub	screw	psh2010-28
29	clema	cable presser	psh2010-29
30	manson	fairlead	psh2010-30
31	piulita	nut	psh2010-31
32	condensator	capacitor	psh2010-32
33	cutie	terminal box	psh2010-33
34	manseta	drops guard	psh2010-34
35	rulment	bearing	psh2010-35
36	pana	key	psh2010-36
37	rotor	rotor	psh2010-37
38	rulment	bearing	psh2010-38
39	saiba elastica	split ring	psh2010-39
40	corp pompa	pump casing	psh2010-40



Nr. Crt	Denumire produs	Product name	Cod intern
1	manometru	PRESSURE GAUGE	psh-1
2	furtun 30CM	BIG HOSE 30CM	psh-2
3	furtun 50CM	BIG HOSE 50CM	psh-3
4	membrana 24L	MEMBRANCE FOR 24L	psh-4
5	membrana 50L	MEMBRANCE FOR 50L	psh-5
6	flansa rezervor 24L	TANK FLANGE FOR 24L	psh-6
7	flansa rezervor 50L	TANK FLANGE FOR 50L	psh-7
8	racord 3 cai	3 Y VALVE	psh-8
9	racord 5 cai	5 Y VALVE	psh-9
10	presostat	PRESSURE SWITCH	psh-10
11	rezervor 24L	TANK 24L	psh-11
12	rezervor 50L	TANK 50L	psh-12