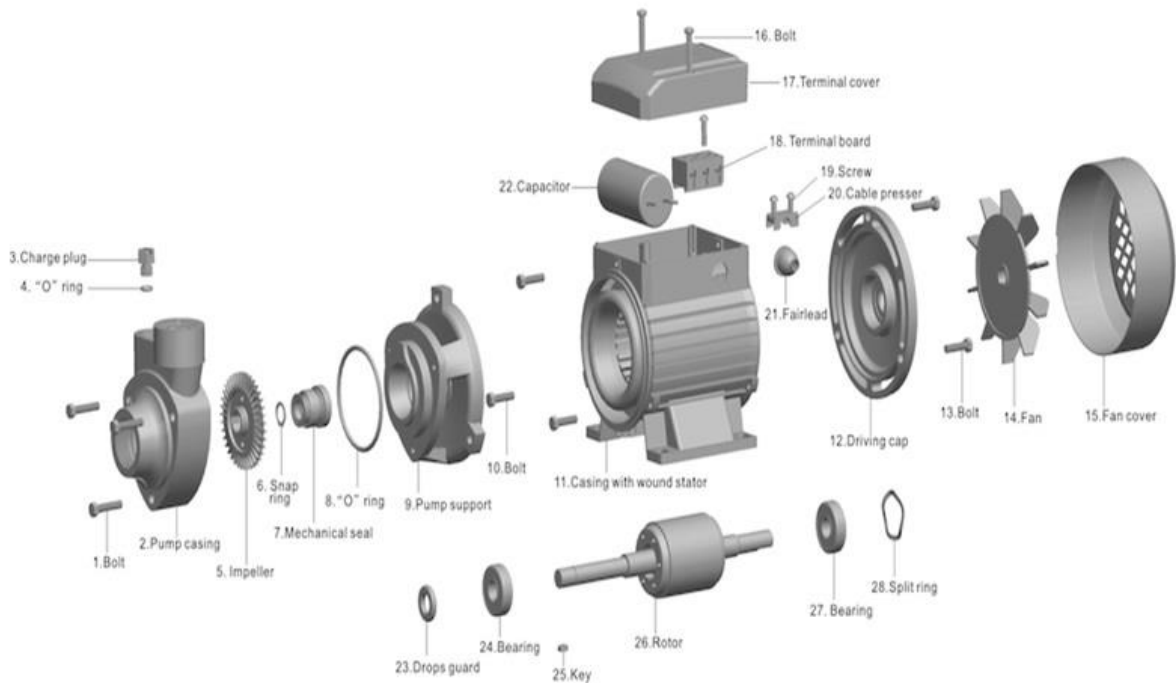
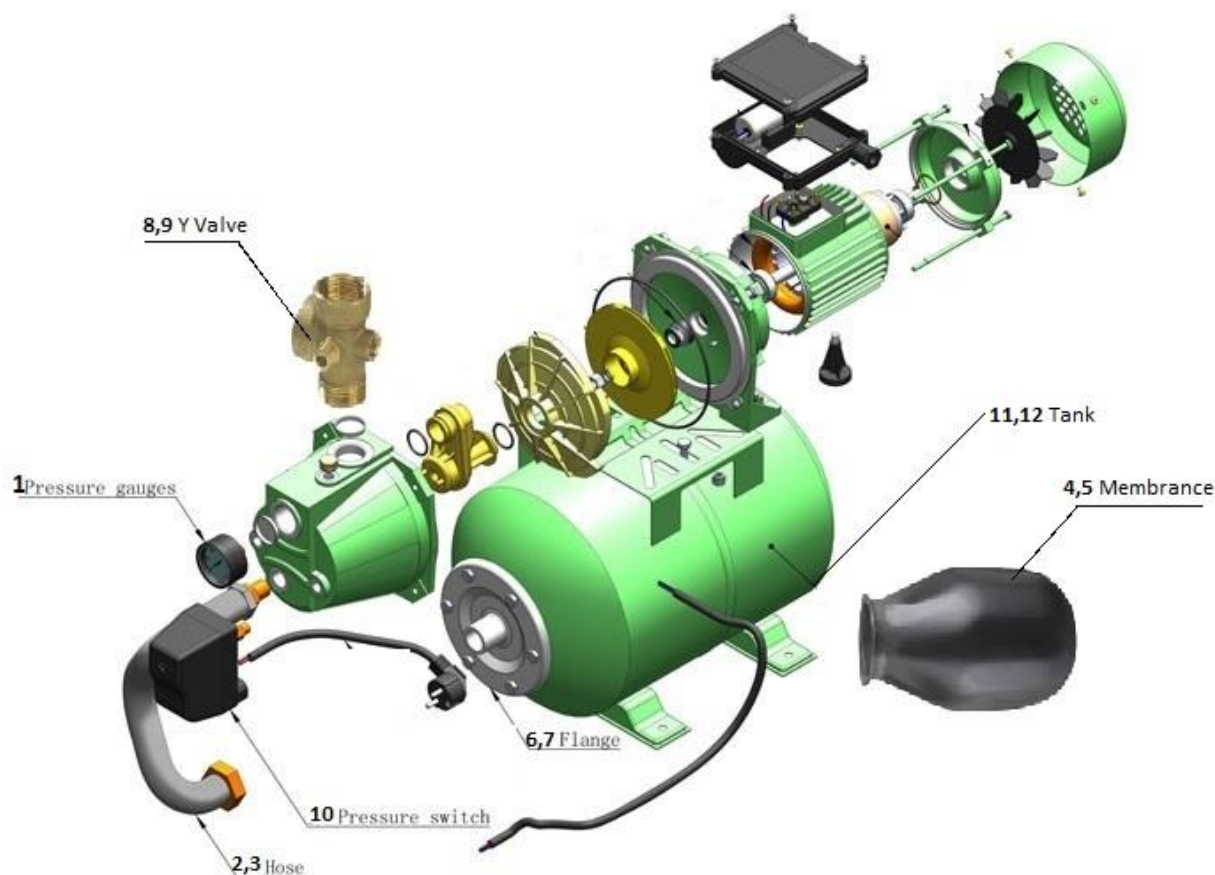


Documentatie tehnica Aqua Power 1008



| Nr. Crt | Denumire produs | Product name | cod intern |
|---------|-------------------|--------------------------|------------|
| 1 | surub | bolt | psh1008-1 |
| 2 | corp pompa | pump casing | psh1008-2 |
| 3 | buson | charge plug | psh1008-3 |
| 4 | oring | oring | psh1008-4 |
| 5 | turbina | impeller | psh1008-5 |
| 6 | distantor | snap ring | psh1008-6 |
| 7 | etansare mecanica | mechanical seal | psh1008-7 |
| 8 | oring | oring | psh1008-8 |
| 9 | suport pompa | pump support | psh1008-9 |
| 10 | surub | bolt | psh1008-10 |
| 11 | stator | casing with wound stator | psh1008-11 |
| 12 | capac motor | driving cap | psh1008-12 |
| 13 | surub | bolt | psh1008-13 |
| 14 | ventilator | fan | psh1008-14 |
| 15 | capac ventilator | fan cover | psh1008-15 |
| 16 | surub | bolt | psh1008-16 |
| 17 | capac | terminal cover | psh1008-17 |
| 18 | placa | terminal board | psh1008-18 |
| 19 | surub | screw | psh1008-19 |
| 20 | clema | cable presser | psh1008-20 |
| 21 | manson | fairlead | psh1008-21 |
| 22 | condensator | capacitor | psh1008-22 |
| 23 | manseta | drops guard | psh1008-23 |
| 24 | rulment | bearing | psh1008-24 |
| 25 | pana | key | psh1008-25 |
| 26 | rotor | rotor | psh1008-26 |
| 27 | rulment | bearing | psh1008-27 |
| 28 | saiba elastica | split ring | psh1008-28 |



| Nr. Crt | Denumire produs | Product name | Cod intern |
|---------|---------------------|---------------------|------------|
| 1 | manometru | PRESSURE GAUGE | psh-1 |
| 2 | furtun 30CM | BIG HOSE 30CM | psh-2 |
| 3 | furtun 50CM | BIG HOSE 50CM | psh-3 |
| 4 | membrana 24L | MEMBRANCE FOR 24L | psh-4 |
| 5 | membrana 50L | MEMBRANCE FOR 50L | psh-5 |
| 6 | flansa rezervor 24L | TANK FLANGE FOR 24L | psh-6 |
| 7 | flansa rezervor 50L | TANK FLANGE FOR 50L | psh-7 |
| 8 | racord 3 cai | 3 Y VALVE | psh-8 |
| 9 | racord 5 cai | 5 Y VALVE | psh-9 |
| 10 | presostat | PRESSURE SWITCH | psh-10 |
| 11 | rezervor 24L | TANK 24L | psh-11 |
| 12 | rezervor 50L | TANK 50L | psh-12 |