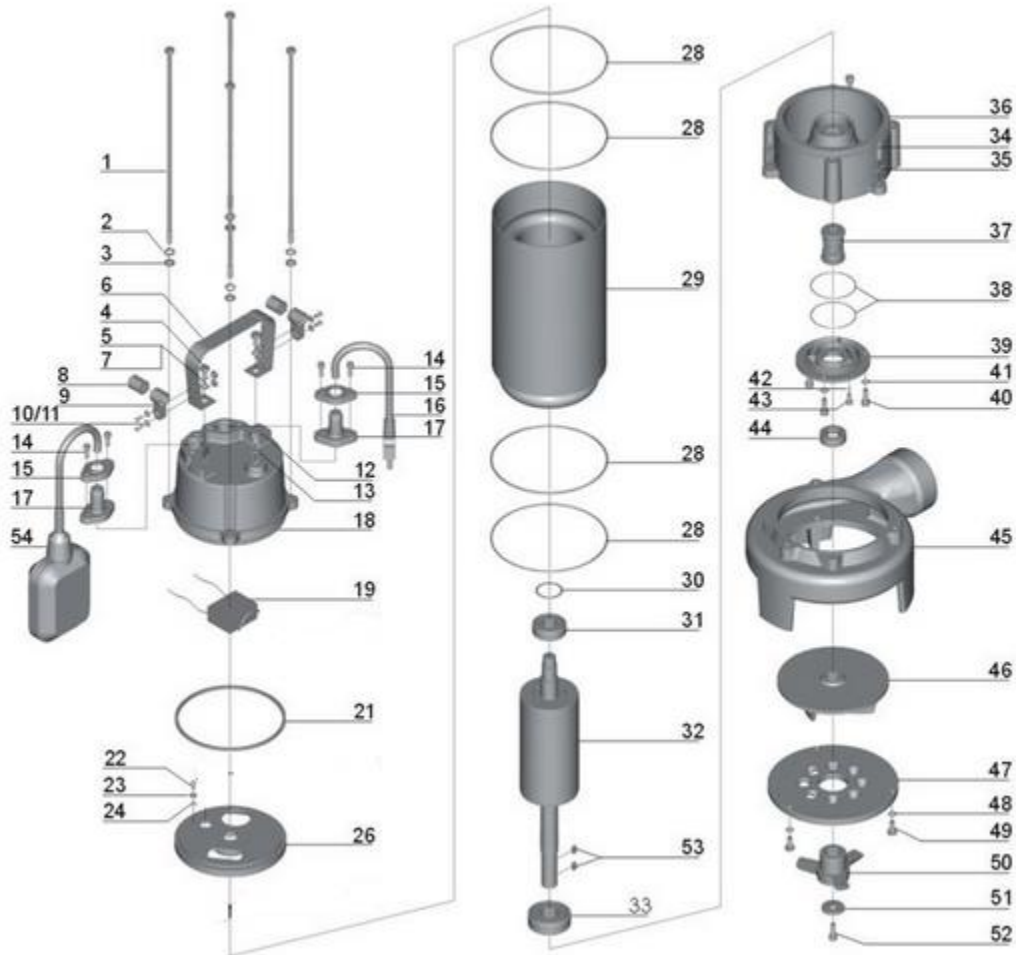


Documentatie tehnica Aqua 35



Nr. Crt	Denumire produs	Product name	Cod comanda
1	surub	bolt	psaq35-01
2	grover	locking ring	psaq35-02
3	saiba	washer	psaq35-03
4	surub	bolt	psaq35-04
5	grower	locking ring	psaq35-05
6	maner	handle	psaq35-06
7	saiba	washer	psaq35-07
8	manson	rubber seal	psaq35-08
9	clema	clamp	psaq35-09
12	oring	oring	psaq35-12
13	buson	screw	psaq35-13
14	surub	bolt	psaq35-14
15	flansa	plate	psaq35-15
16	cablu alimentare	cable	psaq35-16
17	protectie	protetion	psaq35-17
18	capac	cover	psaq35-18
19	condensator	capacitor	psaq35-19
21	garnitura	gasket	psaq35-21
22	surub	bolt	psaq35-22
23	saiba	washer	psaq35-23
24	papuc impamantare	grounding lug	psaq35-24
26	capac superior rotor	top cover	psaq35-26
28	oring	oring	psaq35-28
29	stator	stator	psaq35-29
30	saiba elastica	spring washer	psaq35-30
31	rulment	bearing	psaq35-31
32	rotor	rotor	psaq35-32
33	rulment	bearing	psaq35-33
34	surub	bolt	psaq35-34
35	saiba	washer	psaq35-35
36	capac inferior rotor	end cover	psaq35-36
37	etansare mecanica	mechanical seal	psaq35-37
38	oring	oring	psaq35-38
39	capac	cover	psaq35-39
40	surub	bolt	psaq35-40
41	saiba	washer	psaq35-41
42	oring	oring	psaq35-42
43	buson ulei	screw oil filed	psaq35-43

44	simering	seal	psaq35-44
45	corp pompa	pump casing	psaq35-45
46	turbina	impeller	psaq35-46
47	disc taietor	disk cutter	psaq35-47
48	saiba	washer	psaq35-48
49	surub	bolt	psaq35-49
50	cutit taietor	knife cutter	psaq35-50
51	saiba	washer	psaq35-51
52	surub	bolt	psaq35-52
53	pana	key	psaq35-53
54	flotor	float switch	psaq35-54