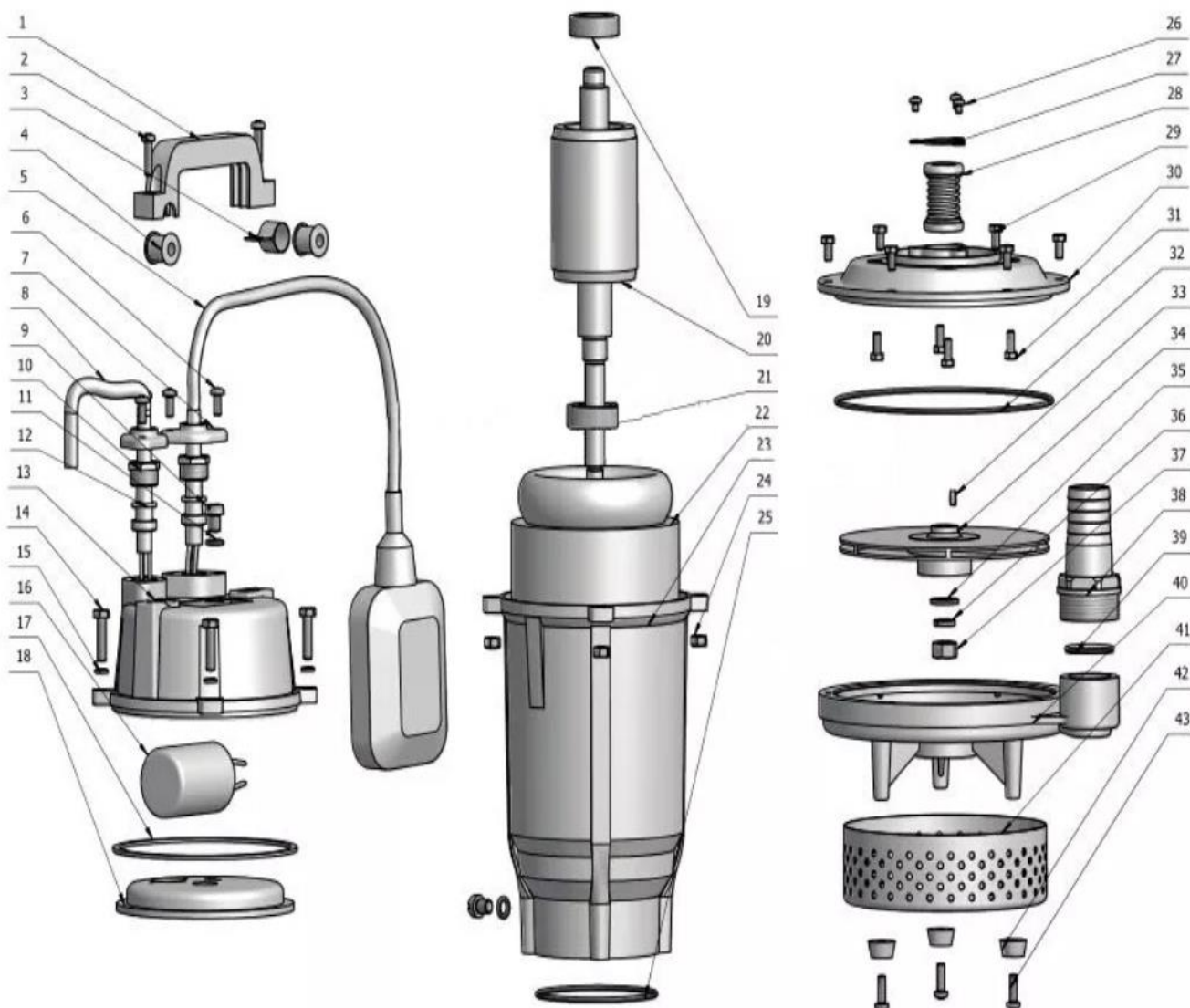


Documentatie tehnica pompa submersibila Aqua 11s



Nr.crt	Denumire produs	Product name	Cod comanda
1	maner	Handle	psaq11s-1-1
2	surub	Screw	psaq11s-1-2
3	clema cablu	Cable presser	psaq11s-1-3
4	protectie cablu	Cable protector	psaq11s-1-4
5	plutitor	Float switch	psaq11s-1-5

Producător motoutilaje

Documentatie tehnică

6	surub	Screw	psaq11s-1-6
7	flansa	Flange	psaq11s-1-7
8	cablu	Cable	psaq11s-1-8
9	surub	Screw	psaq11s-1-9
10	piulita cablu	Cable nut	psaq11s-1-10
11	oring	"O" ring	psaq11s-1-11
12	saiba	Cable washer	psaq11s-1-12
13	capac pompa	Cover pump	psaq11s-1-13
14	surub	Screw	psaq11s-1-14
15	oring	Snap ring	psaq11s-1-15
16	condensator	Capacitor	psaq11s-1-16
17	garnitura	Rubber washer	psaq11s-1-17
18	capac motor	Motor Cover	psaq11s-1-18
19	rulment	Bearing	psaq11s-1-19
20	rotor	Rotor	psaq11s-1-20
21	rulment	Bearing	psaq11s-1-21
22	stator	Stator	psaq11s-1-22
23	carcasa	Housing	psaq11s-1-23
24	piulita	Nut	psaq11s-1-24
25	oring	"O" ring	psaq11s-1-25
26	surub	Screw	psaq11s-1-26
27	clema	Clamp	psaq11s-1-27
28	presetupa	Mechanical seal	psaq11s-1-28
29	surub	Screw	psaq11s-1-29
30	capac camera ulei	Oil chamber Cover	psaq11s-1-30
31	surub	Screw	psaq11s-1-31
32	oring	"O" ring	psaq11s-1-32
33	pana	Key	psaq11s-1-33
34	turbina	Impeller	psaq11s-1-34
35	saiba	Washer	psaq11s-1-35
36	siguranta	Snap ring	psaq11s-1-36
37	piulita	Nut	psaq11s-1-37
38	racord	Out-let connector	psaq11s-1-38
39	oring	"O" ring	psaq11s-1-39
40	carcasa pompa	Pump casing	psaq11s-1-40
41	sita	Filter mesh	psaq11s-1-41
42	picioar	Foot	psaq11s-1-42
43	surub	Screw	psaq11s-1-43