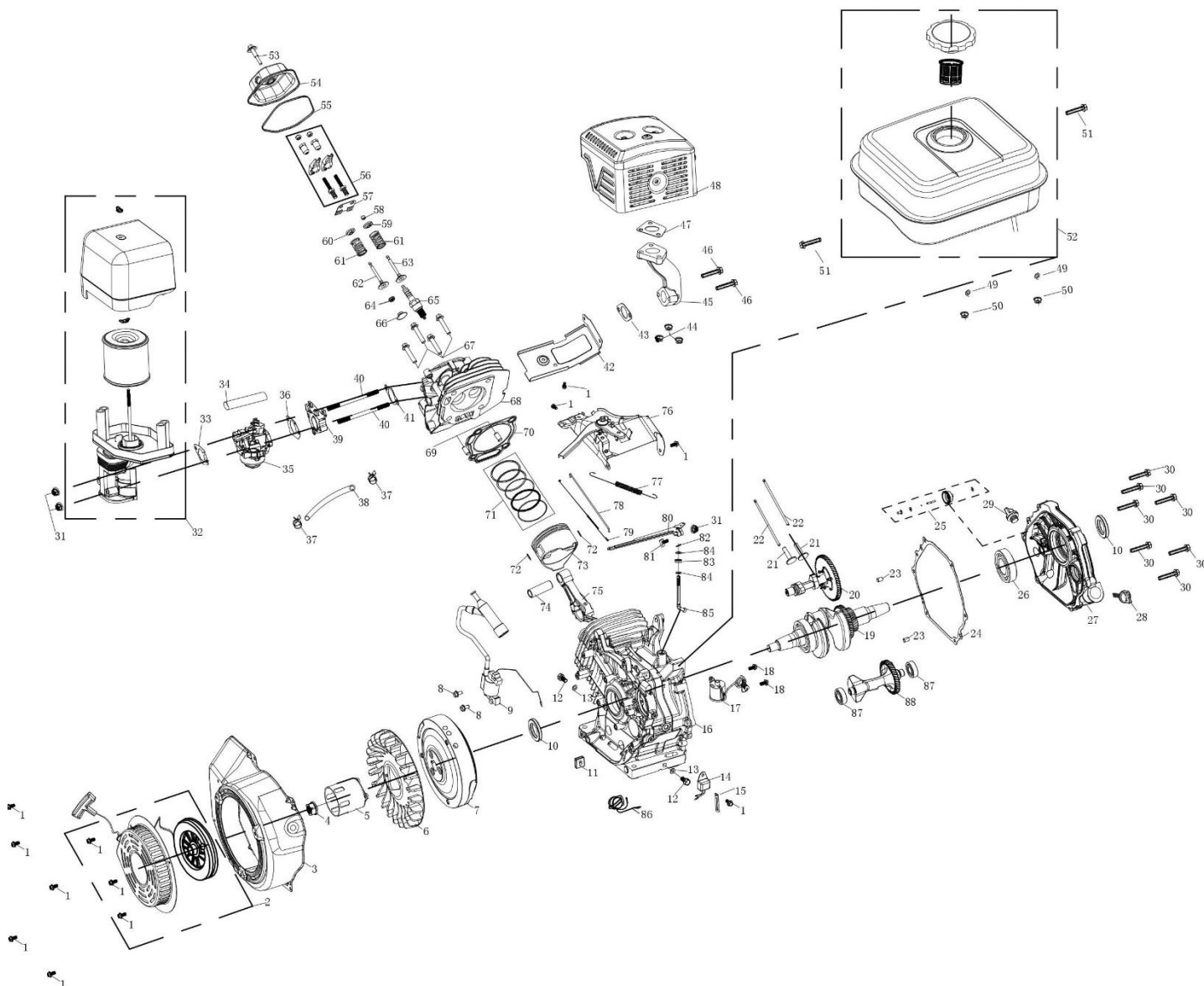


## Documentatie tehnica motor fc192



Nr.crt	Denumire produs	Product name	Cod comanda
1	surub m6x12	Bolt M6*12	psfc192-1-1
2	demaror	Starter Assembly	psfc192-1-2
3	carcasa ventilator	Fan Cover	psfc192-1-3
4	piulita	Nut M16	psfc192-1-4
5	cublaj	Pulley,Starter	psfc192-1-5
6	ventilator	Fan,recoil starter	psfc192-1-6
7	volanta	Flywheel Assembly	psfc192-1-7
8	surub m6x25	Bolt M6*25	psfc192-1-8

## Producător motoutilaje

## Documentatie tehnică

9	modul aprindere	ignition coil assy	psfc192-1-9
10	simering 35x52x8	Oil Seal 35×52×8	psfc192-1-10
11	tampon	Rubber, Starter assy	psfc192-1-11
12	surub golire	Bolt, Drain Plug	psfc192-1-12
13	saiba	Washer, Drain Plug	psfc192-1-13
14	amplificator	Amplifier	psfc192-1-14
15	clema	Clip	psfc192-1-15
16	bloc motor	Crankcase	psfc192-1-16
17	senzor nivel ulei	Switch Assembly, Oil Level	psfc192-1-17
18	surub m6x16	Bolt M6*16	psfc192-1-18
19	arbore cotit	Crankshaft Assembly	psfc192-1-19
20	ax came	Camshaft Assembly	psfc192-1-20
21	tacheti	Lifter, Valve	psfc192-1-21
22	tija	Rod, Push	psfc192-1-22
23	bolt 8x14	Dowel pin, casecover 8×14	psfc192-1-23
24	garnitura carter	Packing, casecover	psfc192-1-24
25	ansamblu regulator	Governor Assembly	psfc192-1-25
26	rulment 6207	Ball bearing 6207	psfc192-1-26
27	capac carter	Cover Assembly, Crankcase	psfc192-1-27
28	joja	Gauge COMP., Oil Lever	psfc192-1-28
29	buson	Oil Plug	psfc192-1-29
30	surub m8x35	Bolt M8*35	psfc192-1-30
31	piulita m6	Nut M6	psfc192-1-31
32	ansamblu filtru aer	Air Cleaner Assembly	psfc192-1-32
33	garnitura carburator	Spacer, carburetor	psfc192-1-33
34	furtun	Tube, Breather	psfc192-1-34
35	carburator	Carburetor Assembly	psfc192-1-35
36	garnitura carburator	Gasket, Carburetor	psfc192-1-36
37	colier	Clip, fuel tube	psfc192-1-37
38	furtun	Tube, Fuel	psfc192-1-38
39	izolator	Insulator, carburetor	psfc192-1-39
40	prezon	Bolt, Stud	psfc192-1-40
41	garnitura izolator	Packing, Intake	psfc192-1-41
42	placa	Shroud	psfc192-1-42
43	garnitura evacuare	Packing, Exhaust	psfc192-1-43
44	piulita m8	Lock Nut M8	psfc192-1-44
45	colector evacuare	Exhaust Pipe	psfc192-1-45
46	surub m8x40	Bolt M8*40	psfc192-1-46
47	garnitura evacuare	Gasket, Exhaust Pipe	psfc192-1-47
48	toba esapament	Muffler COMP	psfc192-1-48
49	saiba 8x25x2	Washer $\Phi 8 \times \Phi 25 \times 2$	psfc192-1-49

## Producător motoutilaje

## Documentatie tehnică

50	piulita m8	Nut M8	psfc192-1-50
51	surub m8x25	Bolt M8*25	psfc192-1-51
52	ansamblu rezervor	Fuel Tank Assembly	psfc192-1-52
53	surub	Bolt	psfc192-1-53
54	capac culbutori	Cover COMP, Head	psfc192-1-54
55	garnitura capac culbutori	Gasket, Cylinder Head	psfc192-1-55
56	ansamblu culbutori	Rocker assy	psfc192-1-56
57	placa ghidare	Plate,Push Rod Guide	psfc192-1-57
58	pastila	Cap	psfc192-1-58
59	taler supapa evacuare	Retainer,Exhaust Valve Spring	psfc192-1-59
60	taler supapa admisie	Retainer,Inlet Valve Spring	psfc192-1-60
61	arc supapa	Spring,Valve	psfc192-1-61
62	supapa admisie	Valve Inlet	psfc192-1-62
63	supapa evacuare	Valve Exhaust	psfc192-1-63
64	simering supapa	Oil Seal,Valve	psfc192-1-64
65	bujie	Spark Pulg	br4t
66	simering	Seal,Inlet Valve	psfc192-1-66
67	surub m10x80	Bolt M10*80	psfc192-1-67
68	chiulasa	Head COMP, Cylinder	psfc192-1-68
69	bucsa centrare 12x20	PIN, DOWEL, 12x20	psfc192-1-69
70	garnitura chiulasa	Gasket,Cylinder Head	psfc192-1-70
71	set segmenti	Scraper Ring Set ,Piston	psfc192-1-71
72	siguranta bolt	Clip, Piston	psfc192-1-72
73	piston	Piston	psfc192-1-73
74	bolt piston	Pin, Piston	psfc192-1-74
75	ansamblu biela	Rod Assembly., Connecting	psfc192-1-75
76	ansamblu brat acceleratie	Shroud assy,upper	psfc192-1-76
77	arc	Spring,Governor	psfc192-1-77
78	tija	Rod,Governor	psfc192-1-78
79	arc	Spring,Throttl Return	psfc192-1-79
80	tija regulator	Governor arm	psfc192-1-80
81	surub	Bolt,governor Arm	psfc192-1-81
82	bolt	Pin,Lock	psfc192-1-82
83	simering 8x14x5	Seal,governor arm shaft 8x14x5	psfc192-1-83
84	saiba	washer,governor arm shaft	psfc192-1-84
85	brat regulator	Shaft,Governor Arm	psfc192-1-85
86	intrerupator	Switch Assembly	psfc192-1-86
87	rulment 6202	Ball bearing 6202	psfc192-1-87
88	arbore echilibrare	Balancing shaft	psfc192-1-88