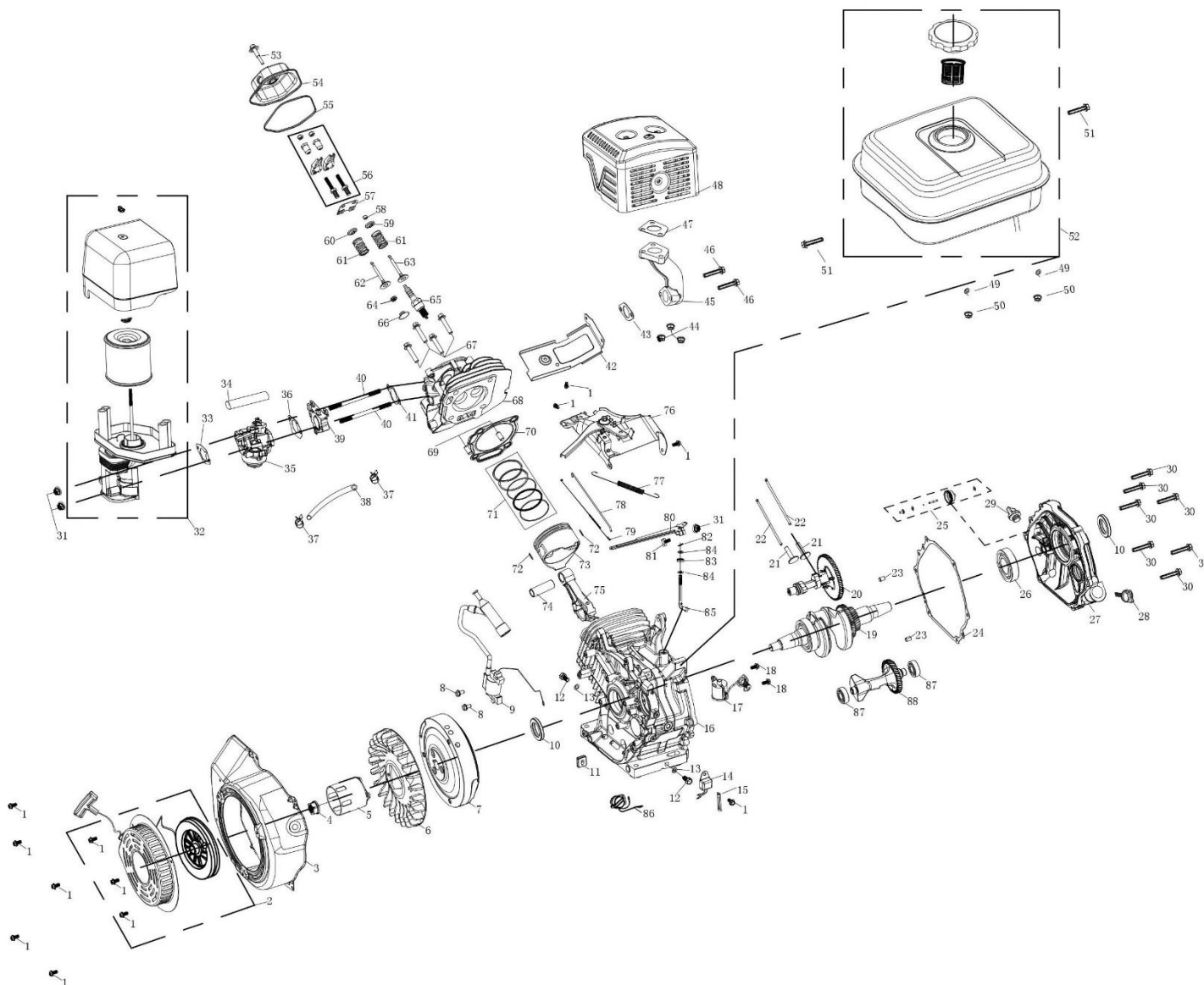


## Documentatie tehnica motor fc190



Nr.crt	Denumire produs	Product name	Cod comanda
1	surub m6x12	Bolt M6*12	psfc190-1-1
2	ansamblu demaror	Starter Assembly	psfc190-1-2
3	carcasa ventilator	Fan Cover	psfc190-1-3
4	piulita m16	Nut M16	psfc190-1-4
5	cuplaj	Pulley,Starter	psfc190-1-5
6	ventilator	Fan,recoil starter	psfc190-1-6
7	volanta	Flywheel Assembly	psfc190-1-7
8	surub m6x25	Bolt M6*25	psfc190-1-8
9	modul aprindere	ignition coil assy	psfc190-1-9

## Producător motoutilaje

## Documentatie tehnică

10	simering 35x52x8	Oil Seal 35×52×8	psfc190-1-10
11	manson	Rubber, Starter assy	psfc190-1-11
12	surub drenaj ulei	Bolt, Drain Plug	psfc190-1-12
13	saiba	Washer, Drain Plug	psfc190-1-13
14	condensator	Capacitor	psfc190-1-14
15	clema	Clip	psfc190-1-15
16	carter	Crankcase	psfc190-1-16
17	senzor ulei	Switch Assembly, Oil Level	psfc190-1-17
18	surub m6x16	Bolt M6*16	psfc190-1-18
19	arbore motor	Crankshaft Assembly	psfc190-1-19
20	ax came	Camshaft Assembly	psfc190-1-20
21	tacheti	Lifter, Valve	psfc190-1-21
22	tije	Rod, Push	psfc190-1-22
23	pin de ghidare	Dowel pin, casecover 8×14	psfc190-1-23
24	garnitura capac carter	Packing, casecover	psfc190-1-24
25	ansamblu regulator	Governor Assembly	psfc190-1-25
26	rulment 6207	Ball bearing 6207	psfc190-1-26
27	capac carter	Cover Assembly, Crankcase	psfc190-1-27
28	joja	Gauge COMP., Oil Lever	psfc190-1-28
29	buson	Oil Plug	psfc190-1-29
30	surub m8x35	Bolt M8*35	psfc190-1-30
31	piulita m6	Nut M6	psfc190-1-31
32	ansamblu filtru aer	Air Cleaner Assembly	psfc190-1-32
33	garnitura filtru aer	Spacer, carburetor	psfc190-1-33
34	furtun epurator	Tube, Breather	psfc190-1-34
35	carburator	Carburetor Assembly	psfc190-1-35
36	garnitura carburator	Gasket, Carburetor	psfc190-1-36
37	colier	Clip, fuel tube	psfc190-1-37
38	furtun alimentare	Tube, Fuel	psfc190-1-38
39	izolator	Insulator, carburetor	psfc190-1-39
40	prezon	Bolt, Stud	psfc190-1-40
41	garnitura izolator	Packing, Intake	psfc190-1-41
42	deflector	Shroud	psfc190-1-42
43	garnitura galerie evacure	Packing, Exhaust	psfc190-1-43
44	piulita m8	Lock Nut M8	psfc190-1-44
45	galerie evacure	Exhaust Pipe	psfc190-1-45
46	surub m8x40	Bolt M8*40	psfc190-1-46
47	garnitura toba esapament	Gasket, Exhaust Pipe	psfc190-1-47
48	toba esapament	Muffler COMP	psfc190-1-48
49	saiba 8x25x2	Washer $\Phi 8 \times \Phi 25 \times 2$	psfc190-1-49
50	piulita m8	Nut M8	psfc190-1-50

## Producător motoutilaje

## Documentatie tehnică

51	surub m8x25	Bolt M8*25	psfc190-1-51
52	ansamblu rezervor combustibil	Fuel Tank Assembly	psfc190-1-52
53	surub	Bolt	psfc190-1-53
54	capac culbutori	Cover COMP, Head	psfc190-1-54
55	garnitura capac culbutori	Gasket, Cylinder Head	psfc190-1-55
56	ansamblu culbutori	Rocker assy	psfc190-1-56
57	placuta ghidaj	Plate,Push Rod Guide	psfc190-1-57
58	pastila	Cap	psfc190-1-58
59	taler supapa evacuare	Retainer,Exhaust Valve Spring	psfc190-1-59
60	taler supapa admisie	Retainer,Inlet Valve Spring	psfc190-1-60
61	arc supapa	Spring,Valve	psfc190-1-61
62	supapa admisie	Valve Inlet	psfc190-1-62
63	supapa evacuare	Valve Exhaust	psfc190-1-63
64	simering supapa	Oil Seal,Valve	psfc190-1-64
65	bujie	Spark Pulg	br4t
66	simering	Seal,Inlet Valve	psfc190-1-66
67	surub m10x80	Bolt M10*80	psfc190-1-67
68	chiulasa	Head COMP, Cylinder	psfc190-1-68
69	pin de ghidare	PIN, DOWEL, 12×20	psfc190-1-69
70	garnitura chiulasa	Gasket,Cylinder Head	psfc190-1-70
71	set segmenti	Scraper Ring Set ,Piston	psfc190-1-71
72	siguranta bolt piston	Clip, Piston	psfc190-1-72
73	piston	Piston	psfc190-1-73
74	bolt piston	Pin, Piston	psfc190-1-74
75	ansamblu biela	Rod Assembly., Connecting	psfc190-1-75
76	ansamblu acceleratie	Shroud assy,upper	psfc190-1-76
77	arc acceleratie	Spring,Governor	psfc190-1-77
78	tija regulator	Rod,Governor	psfc190-1-78
79	arc regulator	Spring,Throttl Return	psfc190-1-79
80	brat regulator	Governor arm	psfc190-1-80
81	surub	Bolt,governor Arm	psfc190-1-81
82	siguranta	Pin,Lock	psfc190-1-82
83	oring	Seal,governor arm shaft 8×14×5	psfc190-1-83
84	saiba	washer,governor arm shaft	psfc190-1-84
85	ax regulator	Shaft,Governor Arm	psfc190-1-85
86	buton on/off	Switch Assembly	psfc190-1-86
87	rulment 6202	Ball bearing 6202	psfc190-1-87
88	contragreutate	Balancing shaft	psfc190-1-88