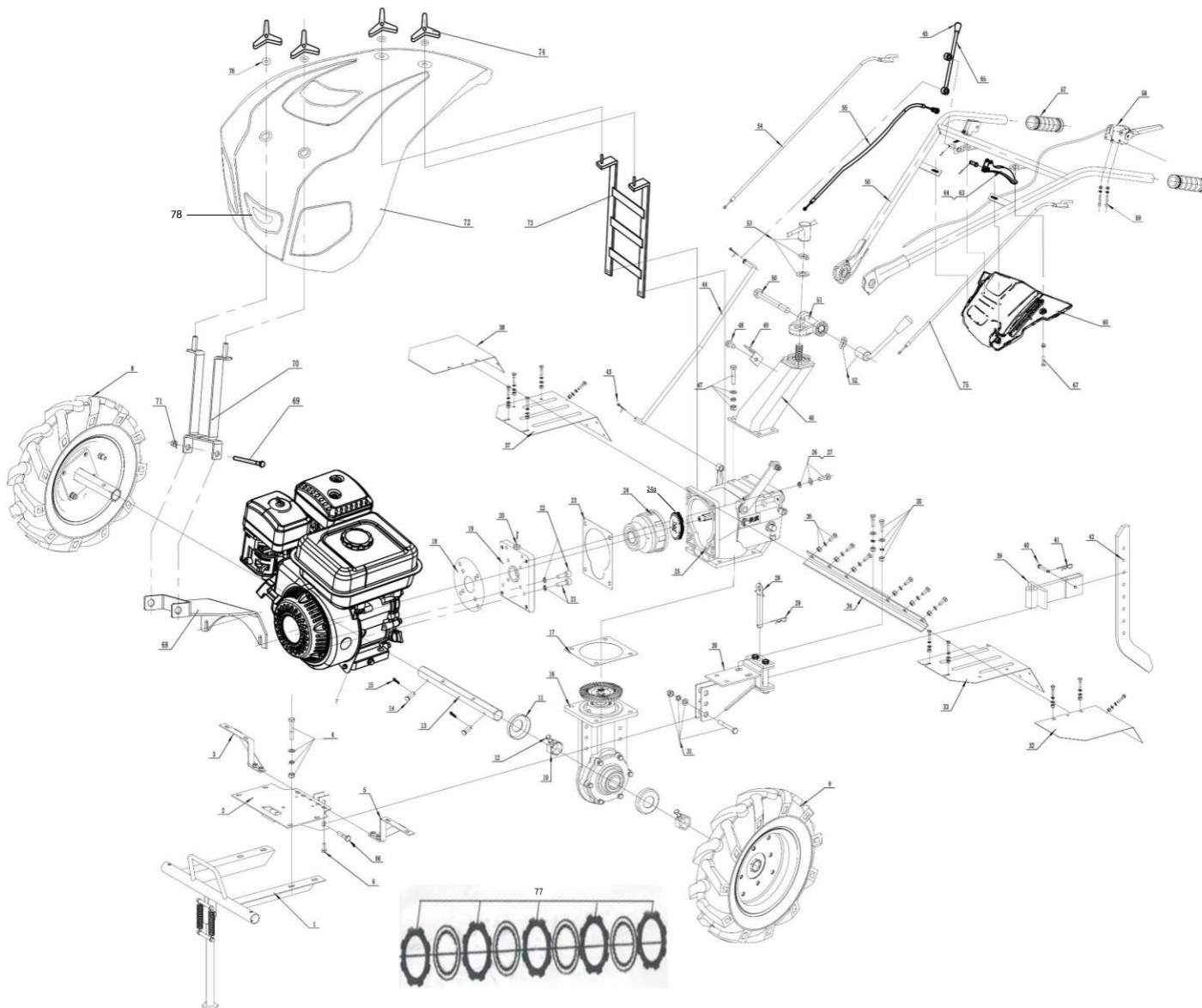


Documentatie tehnica motocultor Ruris 913-915k



Nr.crt	Denumire produs	Product name	Cod comanda
1	picior sprijin	Front stand	ps815-1-1
2	suport motor	Engine Support	ps815-1-2
3	suport aripa dreapta	Front fender support right (500-12)	ps815-1-3
4	surub m10x50	Bolt M10*50	ps815-1-4
5	suport aripa stanga	Front Fender support left (500-12)	ps815-1-5
6	surub m8x20	Bolt M8*20	ps815-1-6
7	motor fc190 (815/915)	Engine fc190 (815/915)	ps815-1-7

Producător motoutilaje

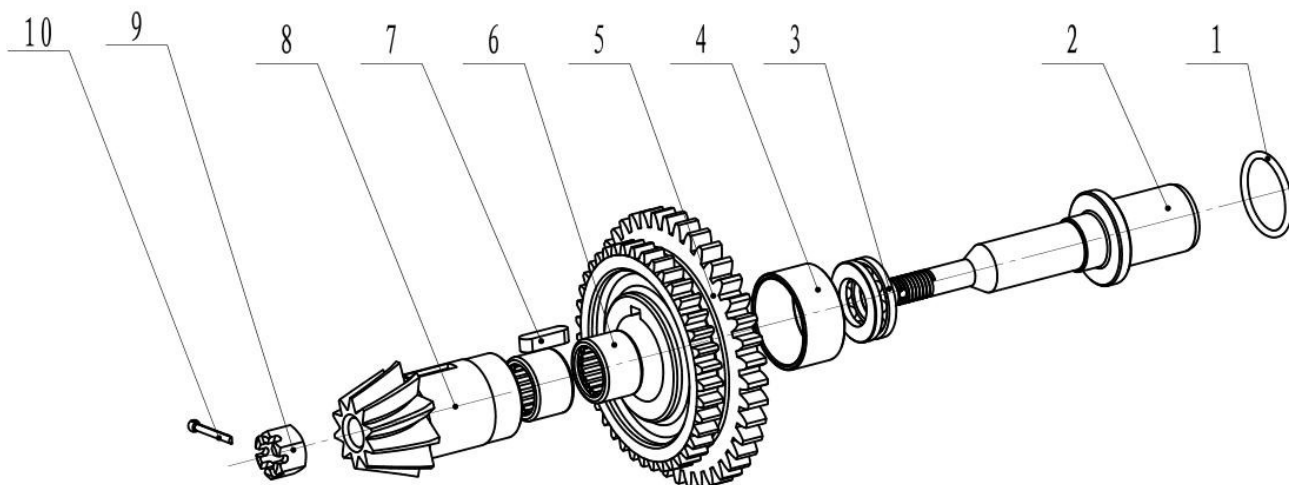
Documentatie tehnică

7a	motor 913	Engine 913	ps815-1-7a
8	roata dreapta 500-12	500-12 tyre right	ps815-1-8
9	roata stanga 500-12	500-12 tyre left	ps815-1-9
10	brida prindere	D32 Hex-shaft fiter	ps815-1-10
11	protectie	D32 Hex-shaft Dust cover	ps815-1-11
12	surub m8x20	Bolt M8*20	ps815-1-12
13	ax	D32 Hex-shaft	ps815-1-13
14	bolt 8x50	B Pin 8*50	ps815-1-14
15	siguranta 2x9x38	B clip 2*9*38	ps815-1-15
16	ansamblu reductor	Output gearbox	ps815-1-16
17	garnitura 0.5mm	Gear box gasket 0.5mm (square)	ps815-1-17
18	garnitura 0.5mm	Engine flange gasket 0.5mm (round)	ps815-1-18
19	flansa	190-4 Flange	ps815-1-19
20	surub aerisitor m12x25x1.25	Flange pressure bolt M12*25*1.25	ps815-1-20
21	surub m8x25	Bolt M8*25	ps815-1-21
22	surub m8x30	Bolt M8*30	ps815-1-22
23	garnitura	Transimission gearbox gasket	ps815-1-23
24	carcasa ambreiaj	Clutch cover	ps815-1-24
24a	ambreiaj	Clutch	ps815-1-24a
25	ansamblu cutie viteze	Transimission gearbox	ps815-1-25
26	saiba 10	washer 10	ps815-1-26
27	surub m10x40	Bolt M10*40	ps815-1-27
28	bolt s16	Pin S16	ps815-1-28
29	siguranta s3.5	B clip S3.5	ps815-1-29
30	suport accesorii	190-4 Rear Bracket	ps815-1-30
31	surub m10x50	Bolt M10*50	ps815-1-31
32	extensie aripa stanga	Fender left (outside)	ps815-1-32
33	aripa stanga	Fender left (inner)	ps815-1-33
34	suport aripi	Fender back support (500-12)	ps815-1-34
35	surub m10x25	Bolts M10*25	ps815-1-35
36	surub m6x16	Bolts M6*16	ps815-1-36
37	aripa dreapta	Fender right (inner)	ps815-1-37
38	extensie aripa dreapta	Fender right (outside)	ps815-1-38
39	supot picior	Rear connector	ps815-1-39
40	bolt 8x50	B pin 8*50	ps815-1-40
41	siguranta 2x9x38	R clip 2*9*38	ps815-1-41
42	picior adancime	Rear tilling knife	ps815-1-42
43	siguranta 2x9x38	B clip 2*9*38	ps815-1-43
44	tija schimbator	Gear shifting rod	ps815-1-44
45	manson	Rubber for Gear shifting rod	ps815-1-45
46	suport coarne	Handle base	ps815-1-46

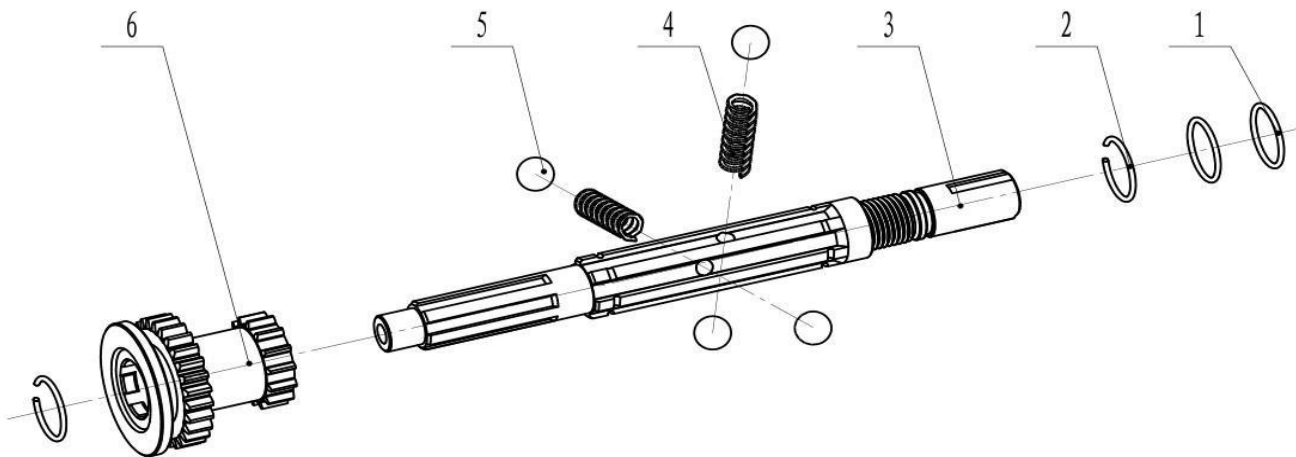
Producător motoutilaje

Documentatie tehnică

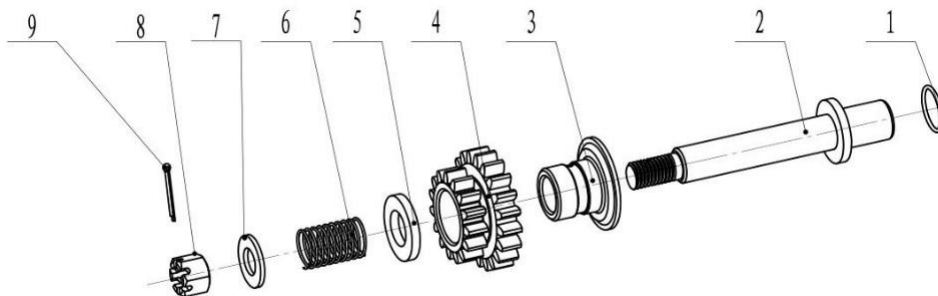
47	surub m10x40	Bolt M10*40	ps815-1-47
48	surub m10x25	Bolt M10*25	ps815-1-48
49	ghidaj tija schimbator	Rod seater	ps815-1-49
50	surub m16x150	Bolt M16*150	ps815-1-50
51	placa prindere	Handle disc tooth	ps815-1-51
52	maner stangere	Adjusting handle set	ps815-1-52
53	maner strangere	T handle	ps815-1-53
54	ansamblu maneta acceleratie	Throttle with cable (1500mm)	ps815-1-54
55	cablu marsarier	Reverse cable	ps815-1-55
56	coarne	Handle bar set (K toolbox)	ps815-1-56
57	manson	Rubber for Handle bar	ps815-1-57
58	maneta	Emergency Knob	ps815-1-58
59	surub m6x35	Bolt M6*35	ps815-1-59
60	trusa accesorii	K Tool box	ps815-1-60
61	siguranta 2x20	Clip 2*20	ps815-1-61
62	bolt 7x22	Pin 7*22	ps815-1-62
63	maneta marsarier	Simple Knob	ps815-1-63
64	bolt cablu 10x22	Cable Pin 10*22	ps815-1-64
65	maneta schimbator	Gear shifting main rod	ps815-1-65
66	surub m10x40	Bolt M10*40	ps815-1-66
67	surub m6x16	Bolt M6*16	ps815-1-67
68	suport	Cover front Bracket	ps815-1-68
69	surub m10x100	Bolt M10*100	ps815-1-69
70	suport superior capota (model 913/915)	Cover front Hinge (model 913/915)	ps815-1-70
71	piulita m10	Self locking Nut M10	ps815-1-71
72	capota (model 913/915)	Bull style Cover with light (model 913/915)	ps815-1-72
73	suport inferior capota (model 913/915)	Cover back bracket (model 913/915)	ps815-1-73
74	piulita rozeta	Cover knob	ps815-1-74
75	intrerupator far	Light on/off with cable	ps815-1-75
76	garnitura	rubber seat	ps815-1-76
77	disc frictiune	friction plate	21511102
78	far	light	ps815-1-78



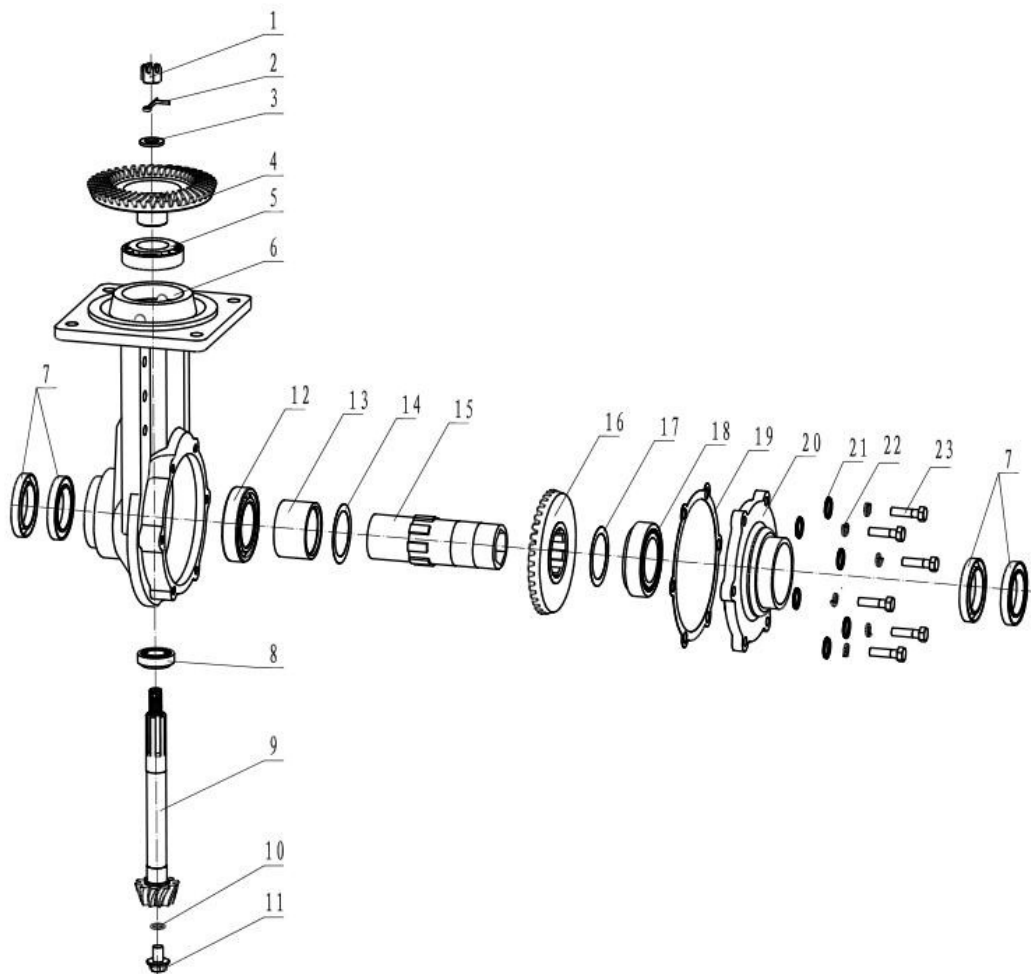
Nr.crt	Denumire produs	Product name	Cod comanda
1	O-ring $\varnothing 25 \times 1.8$	O-ring $\varnothing 25 \times 1.8$	ps815-2-1
2	Arbore intermediar	Countershaft	ps815-2-2
3	Rulment de presiune 51104	Thrust ball bearing 51104	ps815-2-3
4	Bucsa	Sheath, countershaft	ps815-2-4
5	Angrenaj dublu	Double gear, countershaft	ps815-2-5
6	Rulment K18x24x20	Ball bearing K182420	ps815-2-6
7	Pana A6x6x20	Key A6x6x20	ps815-2-7
8	Ax	Initiative umbrella gear	ps815-2-8
9	Piulita M10	Nut M10	ps815-2-9
10	Siguranta $\varnothing 2.5 \times 20$	Splitpin $\varnothing 2.5 \times 20$	ps815-2-10



Nr.crt	Denumire produs	Product name	Cod comanda
1	O-ring $\varnothing 17 \times 2$	O-ring $\varnothing 17 \times 2$	ps815-3-1
2	Inel $\varnothing 25 \times 2$	Ring $\varnothing 25 \times 2$	ps815-3-2
3	Ax principal	Principal axes	ps815-3-3
4	Arc, ax principal $\varnothing 6 \times \varnothing 0.8 \times 23$	Spring , Principal axes $\varnothing 6 \times \varnothing 0.8 \times 23$	ps815-3-4
5	Bila de otel S6.3	Steel ball S6.3	ps815-3-5
6	Pinion	Initiative gear	ps815-3-6

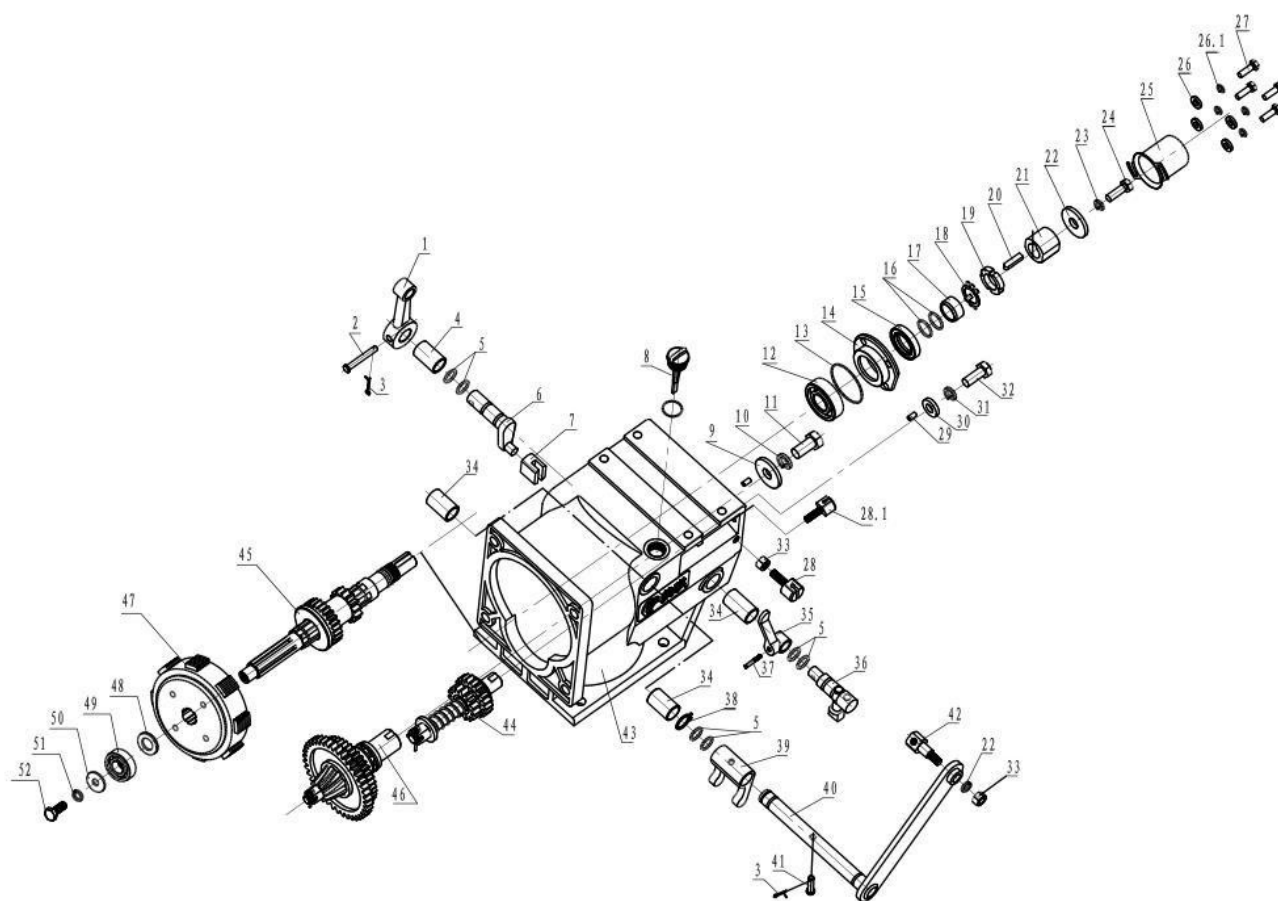


Nr.crt	Denumire produs	Product name	Cod comanda
1	O-ring $\varnothing 18 \times 1.8$	O-ring $\varnothing 18 \times 1.8$	ps815-4-1
2	Ax marsarier	Axes, reverse gear	ps815-4-2
3	Bucsa ghidaj	Pushing plate, reverse gear	ps815-4-3
4	Pinion marsarier	Double gear, reverse gear	ps815-4-4
5	Saiba $\varnothing 17 \times 28 \times 4$	Washer $\varnothing 17 \times 28 \times 4$	ps815-4-5
6	Arc $\varnothing 21 \times \varnothing 2 \times 65$	Spring $\varnothing 21 \times \varnothing 2 \times 65$	ps815-4-6
7	Saiba $\varnothing 12$	Washer $\varnothing 12$	ps815-4-7
8	Piulita M12*9.3	Nut M12*9.3	ps815-4-8
9	Siguranta $\varnothing 2.5 \times 25$	Splitpin $\varnothing 2.5 \times 25$	ps815-4-9



Nr.crt	Denumire produs	Product name	Cod comanda
1	Piulita M12*9.3	Nut M12*9.3	ps815-5-1
2	Pin $\varnothing 2.5 \times 25$	Splitpin $\varnothing 2.5 \times 25$	ps815-5-2
3	Saiba $\varnothing 12$	Washer $\varnothing 12$	ps815-5-3
4	Coroana dintata	Driven umbrella gear	ps815-5-4
5	Rulment conic 30206	Taper ball bearing 30206	ps815-5-5
6	Carcasa reductor	Walking case	ps815-5-6
7	Simering B $\varnothing 45 \times \varnothing 62 \times 8$	Oil seal B $\varnothing 45 \times \varnothing 62 \times 8$	ps815-5-7
8	Rulment conic 30206	Taper ball bearing 30204	ps815-5-8
9	Ax central	Umbrella gear axes	ps815-5-9
10	O-ring $\varnothing 11.2 \times 2.65$	O-ring $\varnothing 11.2 \times 2.65$	ps815-5-10
11	Surub scurgere M12x1.25x15	Drain bolt M12x1.25x15	ps815-5-11
12	Rulment 6009	Ball bearing 6009	ps815-5-12
13	Bucsa	Cover, output axes	ps815-5-13
14	Garnitura 45x60x0.51	gasket 45x60x0.51	ps815-5-14
15	Bucsa ax	Cover, flange axes	ps815-5-15

16	Coroana dintata	Walking umbrella gear	ps815-5-16
17	Garnitura 45x60x0.5	gasket 45x60x0.5	ps815-5-17
18	Rulment conic 32009	Taper ball bearing 32009	ps815-5-18
19	Garnitura (S=0.5m)	Gasket (S=0.5m)	ps815-5-19
20	Capac lateral	Side cover, walking case	ps815-5-20
21	Saiba $\varphi 10$	Washer $\varphi 10$	ps815-5-21
22	saiba grower $\varphi 10$	Spring washer $\varphi 10$	ps815-5-22
23	Bolt M8x30	Hex bolt M8x30	ps815-5-23



Nr.crt	Denumire produs	Product name	Cod comanda
1	Maneta	Sheath, Shift rod	ps815-6-1
2	Bolt 6x40	Pin 6x40, Shift rod	ps815-6-2
3	Siguranta $\varphi 1.5 \times 20$	Splitpin $\varphi 1.5 \times 20$	ps815-6-3
4	Bucsa 16x $\varphi 20 \times 35.5$	Bush Shift axes 16x $\varphi 20 \times 35.5$	ps815-6-4

Producător motoutilaje

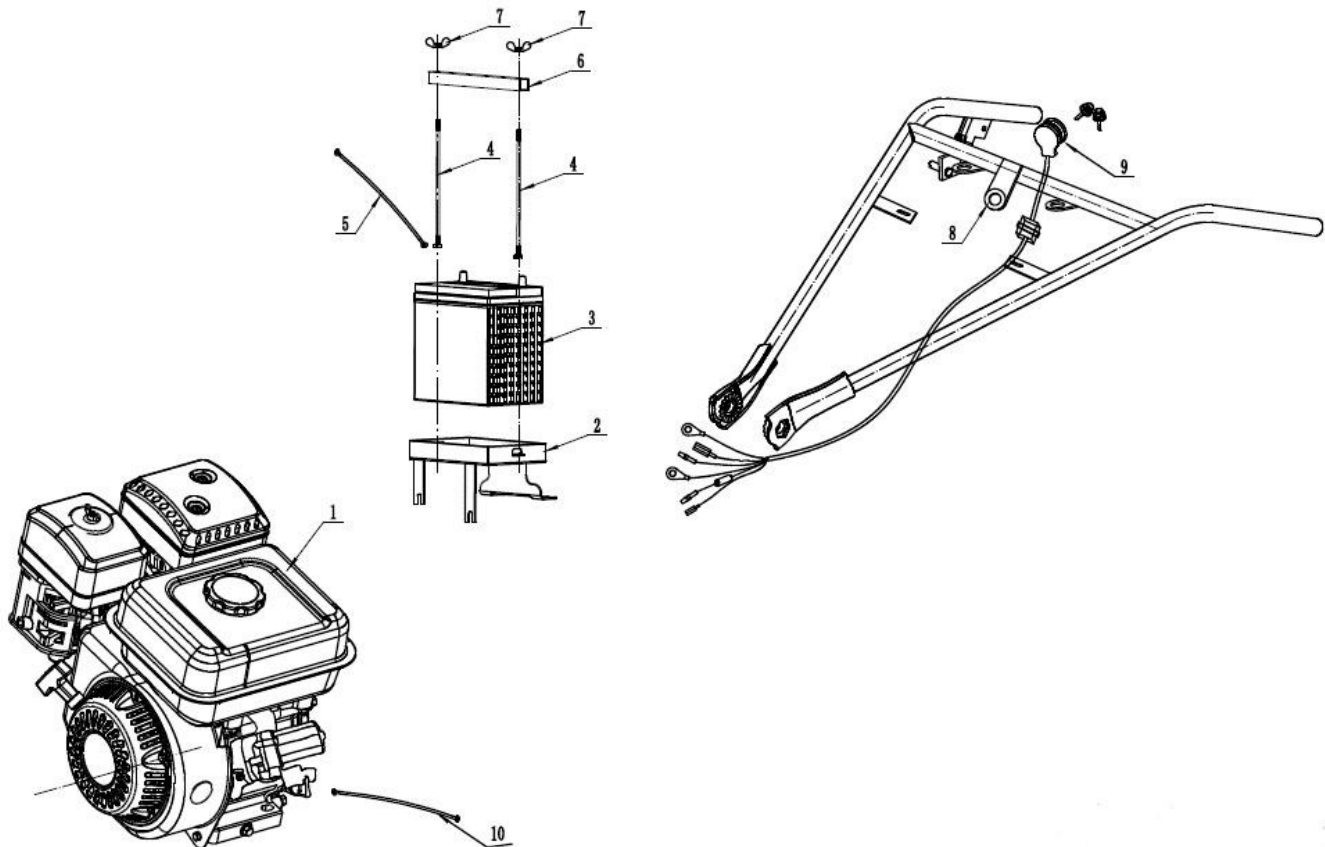
Documentatie tehnică

5	O-ring 11.2x2.65	O-ring 11.2x2.65	ps815-6-5
6	Ax Schimbator	Shift axes	ps815-6-6
7	Placa blocare	Shift fork	ps815-6-7
8	Joja	Oil stick	ps815-6-8
9	Saiba $\varnothing 12 \times 36 \times 4$	Washer $\varnothing 12 \times 36 \times 4$	ps815-6-9
10	Arc $\varnothing 6 \times \varnothing 0.8 \times 23$	Spring $\varnothing 6 \times \varnothing 0.8 \times 23$	ps815-6-10
11	Bolt M12x25	Hex bolts M12x25	ps815-6-11
12	Rulment 6204	Axletree 6204	ps815-6-12
13	O-ring $\varnothing 40 \times 1.8$	O-ring $\varnothing 40 \times 1.8$	ps815-6-13
14	Capac	Pushing panel	ps815-6-14
15	Simering B $\varnothing 25 \times \varnothing 40 \times 7$	Oil seal B $\varnothing 25 \times \varnothing 40 \times 7$	ps815-6-15
16	O-ring $\varnothing 17 \times 2$	O-ring $\varnothing 17 \times 2$	ps815-6-16
17	Bucsa $\varnothing 20 \times \varnothing 25 \times 12.5$	Sheath, principal axes $\varnothing 20 \times \varnothing 25 \times 12.5$	ps815-6-17
18	Garnitura 20	Gasket 20	ps815-6-18
19	Piulita M16x1.5	Nut M16x1.5	ps815-6-19
20	Pana A6x6x20	Key A6x6x20	ps815-6-20
21	Bucsa	Sheath, Key	ps815-6-21
22	Saiba $\varnothing 8 \times 30 \times 1.5$	Washer $\varnothing 8 \times 30 \times 1.5$	ps815-6-22
23	Saiba grower $\varnothing 8$	Spring washer $\varnothing 8$	ps815-6-23
24	Bolt M8x25	Hex bolts M8x25	ps815-6-24
25	Capac protectie	Protec cover, principal axes	ps815-6-25
26	Saiba $\varnothing 6$	Washer $\varnothing 6$	ps815-6-26
26.1	Saiba grower $\varnothing 6$	Spring washer $\varnothing 6$	ps815-6-26a
27	Bolt M6x20	Hex bolts M6x20	ps815-6-27
28	Scaun cablu marsarier	Seat, reverse gear cable	ps815-6-28
28.1	Scaun cablu marsarier	Seat, reverse gear cable	ps815-6-28a
29	Bucsa ghidaj	Column pin A5x10	ps815-6-29
30	Garnitura $\varnothing 10 \times 22 \times 4$	Gasket $\varnothing 10 \times 22 \times 4$	ps815-6-30
31	Saiba grower $\varnothing 10$	Spring washer $\varnothing 10$	ps815-6-31
32	Bolt M10x25	Hex bolts M10x25	ps815-6-32
33	Piulita M8	Nut M8	ps815-6-33
34	Bucsa $\varnothing 16 \times \varnothing 20 \times 31.5$	Sheath $\varnothing 16 \times \varnothing 20 \times 31.5$	ps815-6-34
35	Furca	Reverse gear fork	ps815-6-35
36	Ax furca marsarier	Axes, reverse gear fork	ps815-6-36
37	Bolt 5x34	Worm column pin 5x34	ps815-6-37
38	Inel 16	Ring 16	ps815-6-38
39	Furca ambreiaj	Clutch fork	ps815-6-39
40	Ax furca ambreiaj	Axes, clutch fork	ps815-6-40
41	Pin B 6x30	Pin B 6x30	ps815-6-41
42	Scaun cablu ambreiaj	Seat, clutch cable	ps815-6-42

Producător motoutilaje

Documentatie tehnică

43	Cutie de viteze	Shift gear box	ps815-6-43
44	Ansamblu cuplaj marsarier	Axes, reverse gear	ps815-6-44
45	Ansamblu arbore principal	Principal axes	ps815-6-45
46	Ansamblu roata pinion dublu	Countershaft	ps815-6-46
47	Ansamblu ambreiaj	Core comp, clutch	ps815-6-47
48	Garnitura $\varphi 15 \times \varphi 26 \times 2.5$	Gasket $\varphi 15 \times \varphi 26 \times 2.5$	ps815-6-48
49	Rulment 6202	Axletree 6202	ps815-6-49
50	Saiba $8 \times 30 \times 2$	Washer $8 \times 30 \times 2$	ps815-6-50
51	Saiba grower $\varphi 8$	Spring washer $\varphi 8$	ps815-6-51
52	Surub Mx20	Hex bolts M8x20	ps815-6-52



Nr.crt	Denumire produs	Product name	Cod comanda
1	motor	motor	ps1250-1-1
2	suport baterie	battery holder	ps1250-1-2
3	baterie	battery	ps1250-1-3
4	surub prindere baterie	battery holder screw	ps1250-1-4
5	cablu borne	terminal cable	ps1250-1-5

Producător motoutilaje

Documentatie tehnică

6	brida prindere	bracket grip	ps1250-1-6
7	piulita	nut	ps1250-1-7
8	suport contact	ignition support	ps1250-1-8
9	contact	ignition	ps1250-1-9
10	cablu alimentare	ignition cable	ps1250-1-10