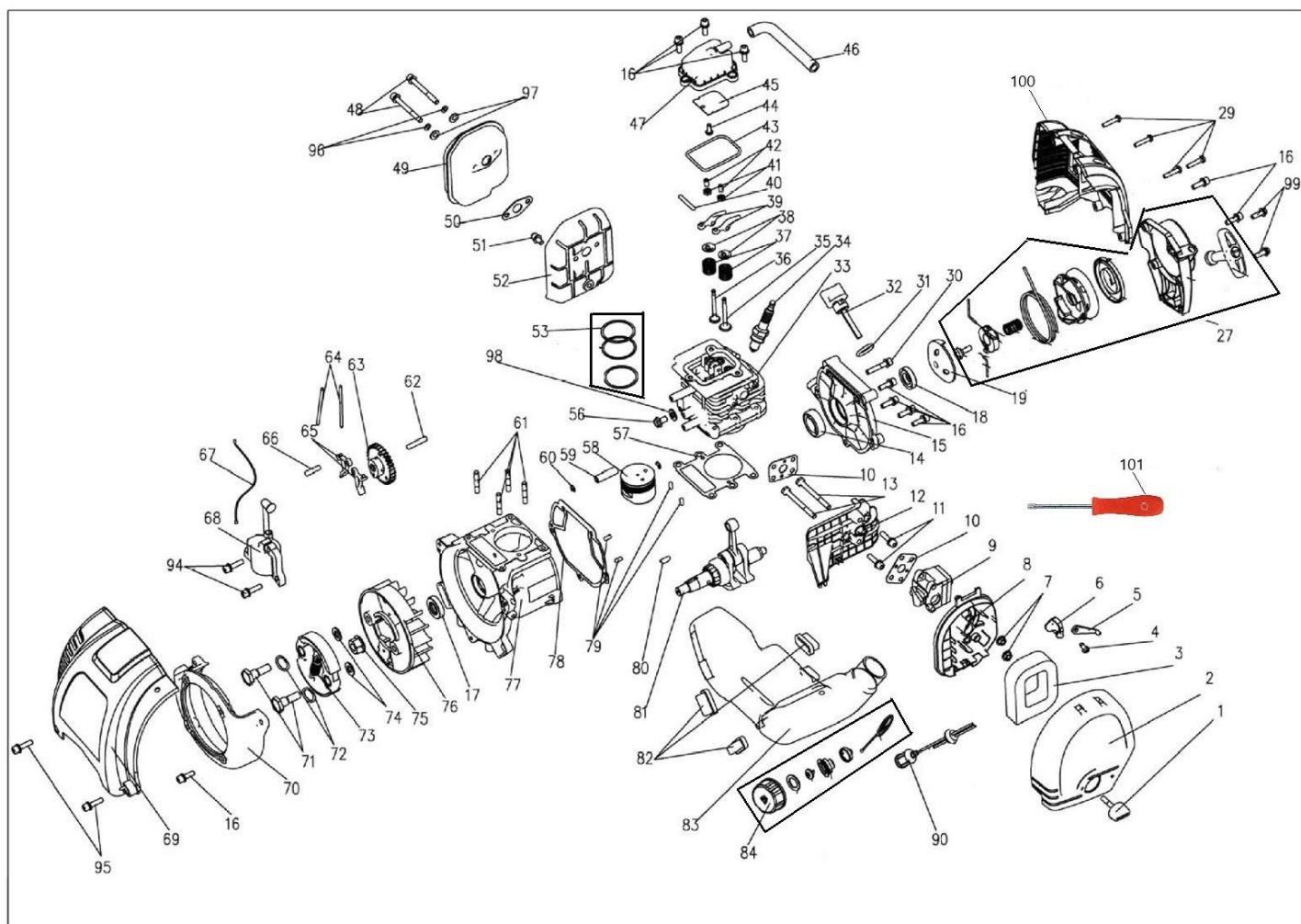


## Documentatie tehnica motocoasa Ruris 740c



Nr. Crt	Denumire produs	Product name	Cod comanda
1	surub filtru aer	air filter hnob	ps740c-1-1
2	capac filtru aer	air filter cover	ps740c-1-2
3	filtru aer	air filter	ps740c-1-3
4	surub st2.9x12	screw st2.9x12	ps740c-1-4
5	levier soc	shock lever	ps740c-1-5
6	clapeta soc	shock flap	ps740c-1-6
7	piulita m5	nut m5	ps740c-1-7
8	suport filtru aer	air filter holder	ps740c-1-8
9	carburator	carburetor	ps740c-1-9
10	garnitura carburator	carburetor casket	ps740c-1-10

## Producător motoutilaje

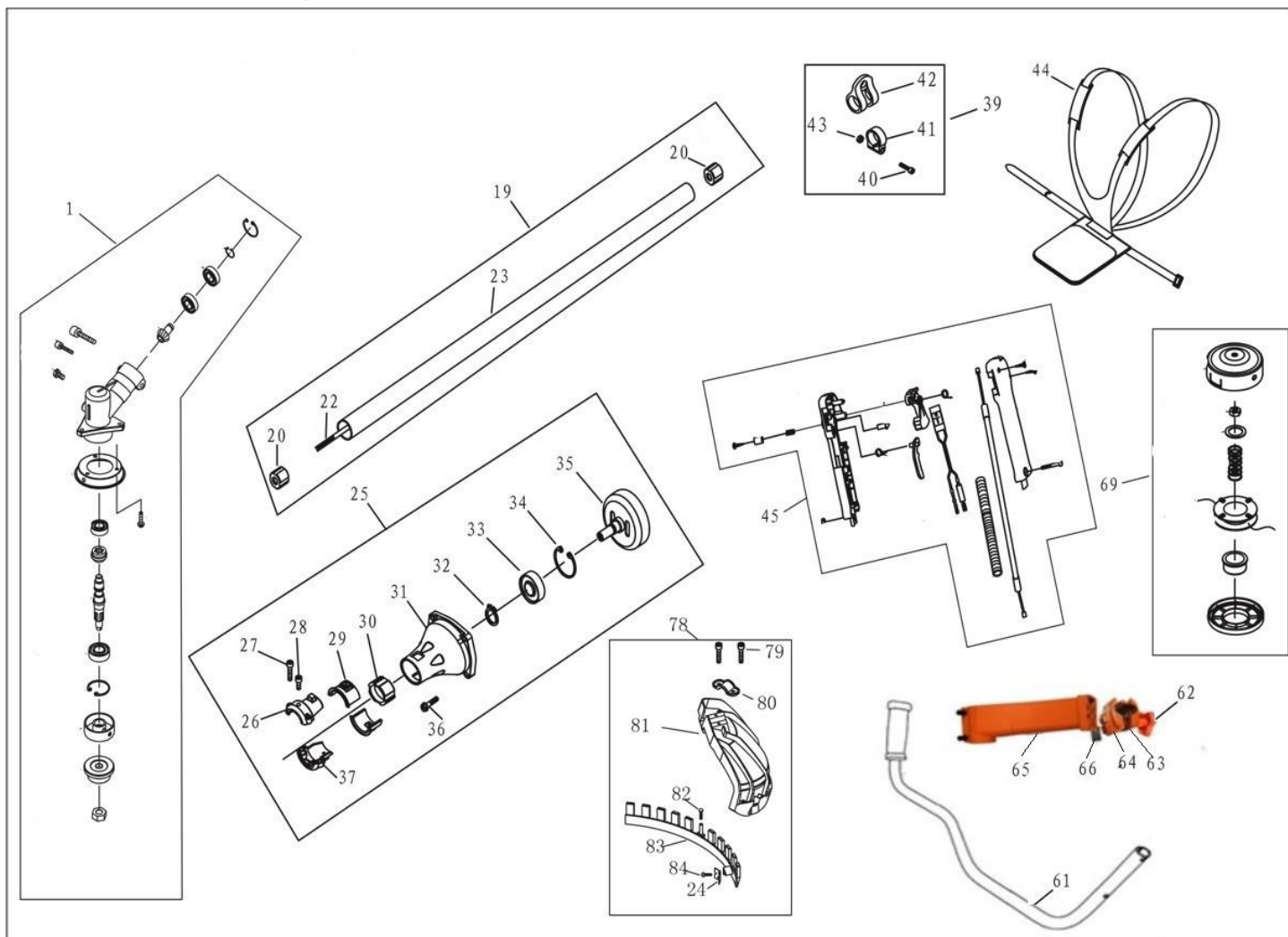
## Documentatie tehnică

11	surub m5x20	screw m5x20	ps740c-1-11
12	placa izolator	insulating board	ps740c-1-12
13	surub m5x55	screw m5x55	ps740c-1-13
14	rulment 6002	bearing 6002	ps740c-1-14
15	capac bloc motor	crank sace cover	ps740c-1-15
16	surub m5x20	screw m5x20	ps740c-1-16
17	simering 26x15x5	oil seal 20x15x5	ps740c-1-17
18	simering 25x12x6	oil seal 25x12x6	ps740c-1-18
19	cuplaj demaror	coupling starter	ps740c-1-19
27	ansamblu demaror	starter assy	ps740c-1-27
29	surub st4.2x20	screw st4.2x20	ps740c-1-29
30	surub m5x28	screw m5x28	ps740c-1-30
31	oring 3.5x21	oring 2.5x21	ps740c-1-31
32	joja	dipstick	ps740c-1-32
33	chiuloasa	cylinder head	ps740c-1-33
34	bujie calota lunga	spark plug	11-4t
35	supapa admisie	intake valve	ps740c-1-35
36	supapa evacuare	outtake valve	ps740c-1-36
37	arc supapa	valve spring	ps740c-1-37
38	taler supapa	valve spring seat	ps740c-1-38
39	culbutori	rocker arm	ps740c-1-39
40	ax culbutori	rocker arm shaft	ps740c-1-40
41	piulita reglaj	adjusting nut	ps740c-1-41
42	surub reglaj	adjusting screw	ps740c-1-42
43	garnitura capac culbutori	rocker cover gasket	ps740c-1-43
44	surub st4.2x10	screw st4.2x10	ps740c-1-44
45	placa	plate	ps740c-1-45
46	furtun epurator	cleaning hose	ps740c-1-46
47	capac culbutori	rocker cover	ps740c-1-47
48	surub m5x50	screw m5x50	ps740c-1-48
49	toba esapament	muffler	ps740c-1-49
50	garnitura esapament	muffler gasket	ps740c-1-50
51	surub m5x10	screw m5x10	ps740c-1-51
52	protectie toba esapament	muffler protection	ps740c-1-52
53	set segmenti	piston rings	ps740c-1-53
56	surub m6x10	screw m6x10	ps740c-1-56
57	garnitura chiuloasa	cylinder gasket	ps740c-1-57
58	piston	piston	ps740c-1-58
59	bolt piston	piston pin	ps740c-1-59
60	siguranta bolt piston	piston pin clip	ps740c-1-60

## Producător motoutilaje

## Documentatie tehnică

61	prezon m5x30	stud m5x30	ps740c-1-61
62	ax	axle	ps740c-1-62
63	cama	cam	ps740c-1-63
64	tije	rod	ps740c-1-64
65	tacheti	lower arm	ps740c-1-65
66	ax	axle	ps740c-1-66
67	cablu	cable	ps740c-1-67
68	modul aprindere	ignition	ps740c-1-68
69	capota	hood	ps740c-1-69
70	carcasa ambreiaj	clutch case	ps740c-1-70
71	surub	screw	ps740c-1-71
72	saiba elastica	spring washer	ps740c-1-72
73	ambreiaj	clutch	ps740c-1-73
74	saiba	washer	ps740c-1-74
75	piulita m10	nut m10	ps740c-1-75
76	volanta	flywheel	ps740c-1-76
77	bloc motor	crank case	ps740c-1-77
78	garnitura bloc motor	crank case gasket	ps740c-1-78
79	pin de ghidare	pin	ps740c-1-79
80	pana	key	ps740c-1-80
81	ambielaj	crankshaft	ps740c-1-81
82	amortizor	damper	ps740c-1-82
83	rezervor combustibil	fuel tank	ps740c-1-83
84	ansamblu buson rezervor	fuel tank cap assy	ps740c-1-84
90	sistem alimentare	supply system	ps740c-1-90
94	surub m5x20	screw m5x20	ps740c-1-94
95	surub m5x25	screw m5x25	ps740c-1-95
96	saiba grower	spring washer	ps740c-1-96
97	saiba	washer	ps740c-1-97
98	saiba	washer	ps740c-1-98
99	surub m5x16	screw m5x16	ps740c-1-99
100	capota	hood	ps740c-1-100
101	surubelnica reglaj carburator	carburetor adjustment screwdriver	ps740c-1-101



Nr. Crt	Denumire produs	Product name	Cod comanda
1	cap reductor	gear case	ps731c-2-1
19	ansamblu tija transmisie	transmission tod assembly	ps731c-2-19
20	bucsa ghidare	bush	ps731c-2-20
22	arbore	axle	ps731c-2-22
23	tija	rod	ps731c-2-23
24	cutit	blade	ps731c-2-24
25	ansamblu cuplaj	coupling assy	ps731c-2-25
26	clema a	clamp a	ps731c-2-26
27	surub m5x20	screw m5x20	ps731c-2-27
28	surub m5x10	screw m5x10	ps731c-2-28
29	manson a	rubber a	ps731c-2-29
30	manson b	rubber b	ps731c-2-30

## Producător motoutilaje

## Documentatie tehnică

31	cuplaj	coupling	ps731c-2-31
32	zegher 15	stop ring 15	ps731c-2-32
33	rulment 6202-2rz/p6	bearing 6202-2rz/p6	ps731c-2-33
34	zegher 35	stop ring 55	ps731c-2-34
35	oala ambreiaj	clutch drum	ps731c-2-35
36	surub m6x20	screw m6x20	ps731c-2-36
37	clema b	clamp b	ps731c-2-37
39	suport ham	harness support	ps731c-2-39
40	surub m5x20	screw m5x20	ps731c-2-40
41	colier	clamp	ps731c-2-41
42	clema ham	harness clamp	ps731c-2-42
43	piulita m5	nut m5	ps731c-2-43
44	ham	harness	ps731c-2-44
45	ansamblu acceleratie	throttle assembly	ps731c-2-45
61	coarne	handgrip	ps731c-2-61
62	surub rozeta	rosette screw	ps731c-2-62
63	placa prindere superioara	bracket	ps731c-2-63
64	placa prindere inferioara	bracket	ps731c-2-64
65	suport coarne	horn support	ps731c-2-65
66	piulita speciala	nut	ps731c-2-66
69	autocut	cutter head	ps731c-2-69
78	ansamblu aparatoare	guard assy	ps731c-2-78
79	surub m5x16	screw m5x16	ps731c-2-79
80	suport aparatoare	bracket	ps731c-2-80
81	aparatoare	safety guard	ps731c-2-81
82	surub st4.2x16	screw st4.2x16	ps731c-2-82
83	sort protectie	guard	ps731c-2-83
84	surub st4.2x16	screw st4.2x16	ps731c-2-84