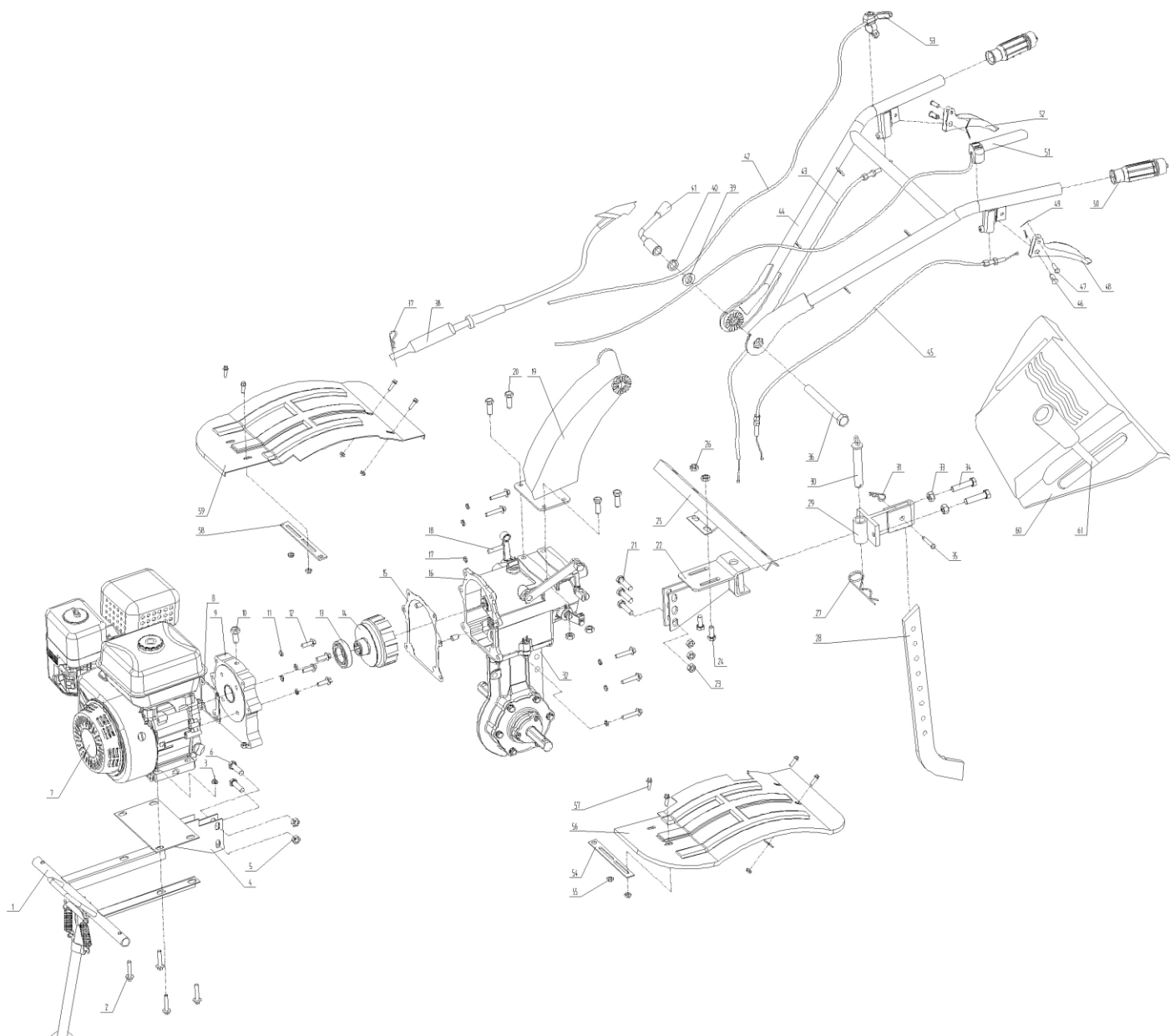


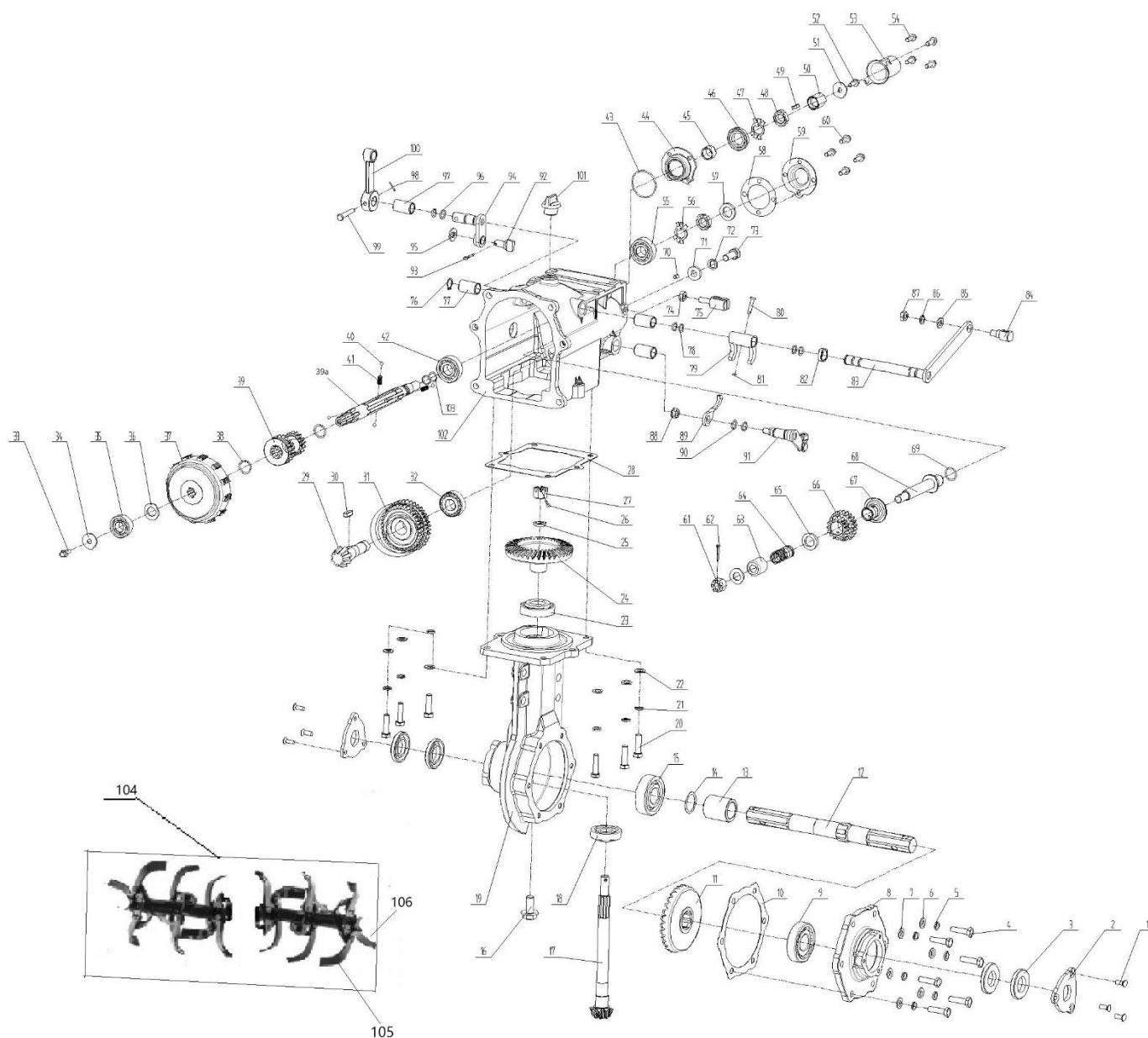
Documentație tehnică motocultor RURIS 731K



Nr.crt	Denumire produs	Product name	Cod comanda
1	bara protectie cu picior sprijin	foot protection bar	ps731-1-1
2	surub m8x40	screw m8x40	ps731-1-2
3	piulita m8	nut m8	ps731-1-3

4	suport motor	engine support	ps731-1-4
5	piulita m10	nut m10	ps731-1-5
6	surub m10x35	screw m10x35	ps731-1-6
7	motor	engine	ps731-1-7
8	garnitura	gasket	ps731-1-8
9	flansa prindere motor	engine mounting flange	ps731-1-9
10	aerisitor	vent valve	ps731-1-10
11	grower ø8	grower ø8	ps731-1-11
12	surub m8x25	screw m8x25	ps731-1-12
13	rulment 6007	bearing 6007	ps550-14a
14	carcasa ambreiaj	clutch case	ps731-1-14
15	garnitura	gasket	ps731-1-15
16	ansamblu cutie viteze	gearbox assy	ps731-1-16
17	grower	grower	ps731-1-17
18	surub m8x40	screw m8x40	ps731-1-18
19	suport coarne	support horns	ps731-1-19
20	surub m10x30	screw m10x30	ps731-1-20
21	surub m10x35	screw m10x35	ps731-1-21
22	suport prindere	support grip	ps731-1-22
23	piulita m10	nut m10	ps731-1-23
24	surub m10x25	screw m10x25	ps731-1-24
25	suport posterior aripi	support rear wings	ps731-1-25
26	piulita m10	nut m10	ps731-1-26
27	siguranta bolt φ3.0	clip φ3.0	ps731-1-27
28	picior adancime	foot depth	ps731-1-28
29	suport picior	foot support	ps731-1-29
30	bolt	bolt	ps731-1-30
31	siguranta bolt φ2.0	clip φ2.0	ps731-1-31
32	picior transmisie	foot transmission	ps731-1-32
33	piulita m10	nut m10	ps731-1-33
34	surub m10x35	screw m10x35	ps731-1-34
35	bolt b10x50	bolt b10x50	ps731-1-35
36	surub m16x150	screw m16x150	ps731-1-36
37	siguranta φ1.0	clip φ1.0	ps731-1-37
38	ansamblu cablu schimbator	switch cable assembly	ps731-1-38
39	saiba 16	washer 16	ps731-1-39
40	grower 16	grower 16	ps731-1-40
41	maner stringere	tightening handle	ps731-1-41
42	cablu acceleratie	throttle cable	1663000-0014

43	cablu marsalier	cabl reverse	1662000-0003
44	coarne	horns	ps731-1-44
45	cablu ambreiaj	clutch cable	1661000-0011
46	bolt prindere cablu	bolt	ps731-1-46
47	bolt b6x22	bolt b6x22	ps731-1-47
48	maneta ambreiaj	clutch lever	ps731-1-48
49	siguranta 1.6x20	clip 1.6x20	ps731-1-49
50	manson coarne	sleeve horns	ps731-1-50
51	maneta motor stop	engine stop lever	ps731-1-51
52	maneta marsalier	reverse lever	ps731-1-52
53	maneta acceleratie	throttle lever	ps731-1-53
54	suport aripa st	left wing support	ps731-1-54
55	piulita m8	nut m8	ps731-1-55
56	aripa st	left wing	ps731-1-56
57	surub m6X16	screw m6x16	ps731-1-57
58	suport aripa dr	right wing support	ps731-1-58
59	aripa dr	right wing	ps731-1-59
60	cutie ptr scule	tool box	ps731-1-60
61	maneta schimbator viteze	gearshift lever	ps731-1-61

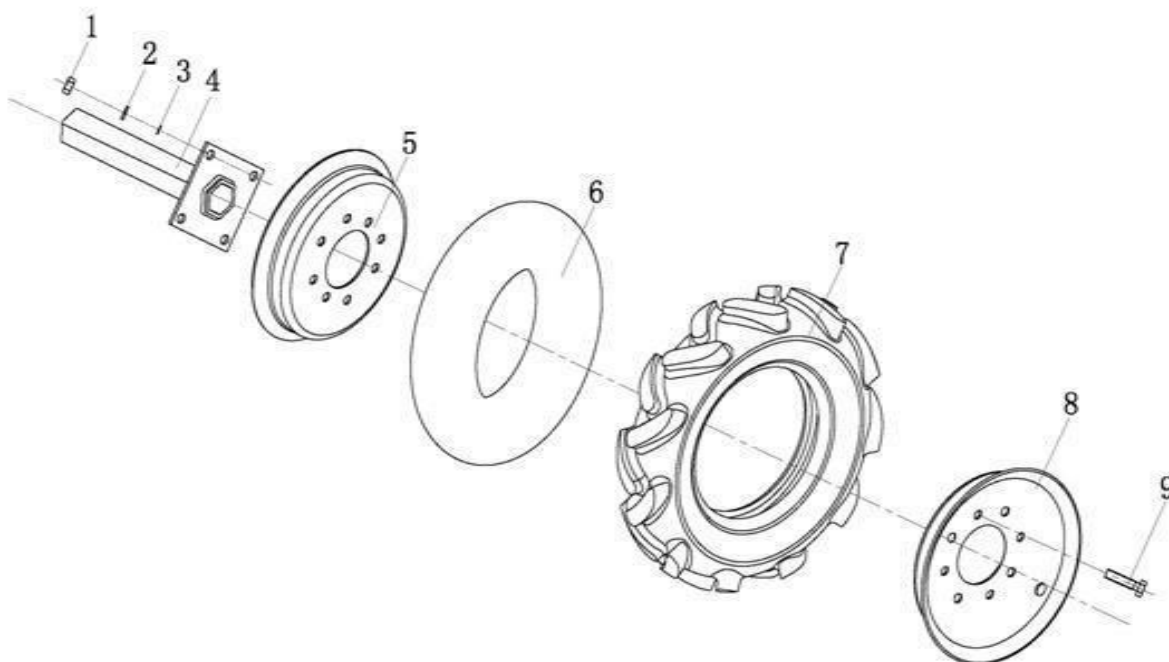


Nr.Crt	Denumire produs	Product name	Cod comanda
1	surub m6x12	screw m6x12	ps731-2-1
2	protectie	protection	ps731-2-2

3	simering Φ 13.525x47x7	seal Φ 25x47x7	ps731-2-3
4	surub m8x25	screw m8x25	ps731-2-4
5	grower \varnothing 8	grower \varnothing 8	ps731-2-5
6	saiba \varnothing 8	washer \varnothing 8	ps731-2-6
7	saiba \varnothing 8	washer \varnothing 8	ps731-2-7
8	capac transmisie	transmission cover	ps731-2-8
9	rulment 30305	bearing 30305	ps731-2-9
10	garnitura	gasket	ps731-2-10
11	roata dintata conica	conical toothed wheel	ps731-2-11
12	ax iesire transmisie	transmission output shaft	ps731-2-12
13	bucsa	bush	ps731-2-13
14	saiba	washer	ps731-2-14
15	rulment 6305	bearing 6305	ps731-2-15
16	buson golire ulei	oil drain plug	ps731-2-16
17	ax cu pinion conic	the bevel pinion shaft	ps731-2-17
18	rulment 30205	beating 30205	ps731-2-18
19	carcasa picior transmisie	foot transmission housing	ps731-2-19
20	surub m8x30	screw m8x30	ps731-2-20
21	grower \varnothing 8	grower \varnothing 8	ps731-2-21
22	saiba \varnothing 8	washer \varnothing 8	ps731-2-22
23	rulment 30204	bearing 30204	ps731-2-23
24	roata dintata conica	conical toothed wheel	ps731-2-24
25	grower \varnothing 12	grower \varnothing 12	ps731-2-25
26	siguranta	clip	ps731-2-26
27	piulita m12	nut m12	ps731-2-27
28	garnitura	gasket	ps731-2-28
29	ax pinion conic	the bevel pinion shaft	ps731-2-29
30	pana a6x6x20	key a6x6x20	ps620-2-44
31	roata dintata dubla	double toothed wheel	ps731-2-31
32	rulment 30203	bearing 30203	ps731-2-32
33	surub m6x20	screw m6x20	ps731-2-33
34	saiba	washer	ps731-2-34
35	rulment 6202	bearing 6202	ps490s-2-54
36	saiba	washer	ps731-2-36
37	ambreiaj	clutch	ps731-2-37
38	saiba 20	washer 20	ps731-2-38
39	pinion	sprocket	ps731-2-39
39a	ax	axle	ps731-2-39a
40	bila rulment	ball bearing	ps731-2-40
41	arc	spring	ps731-2-41

42	rulment 6203	bearing 6203	gb/t 27694
43	inel ø37.5x1.8	ring ø37.5x1.8	ps731-2-43
44	bucsa cu guler	bush	ps731-2-44
45	distantier	spacer	ps731-2-45
46	simering 13.520x35x7	seal Ø 13.520x35x7	ps731-2-46
47	siguranta canelata	clip	ps731-2-47
48	piulita canelata	nut	ps731-2-48
49	pana a5x5x20	key a5x5x20	ps731-2-49
50	protectie ax	ax protection	ps731-2-50
51	saiba	washer	ps731-2-51
52	surub m6x20	screw m6x20	ps731-2-52
53	protectie	protection	ps731-2-53
54	surub m6x12	screw m6x12	ps731-2-54
55	rulment 6203	bearing 6203	gb/t 276-94
56	saiba canelata	clip	ps731-2-56
57	etansare	seals	ps731-2-57
58	garnitura	gasket	ps731-2-58
59	capac etansare	sealing cap	ps731-2-59
60	surub m6x12	screw m6x12	ps731-2-60
61	piulita m8	nut m8	ps731-2-61
62	siguranta	clip	ps731-2-62
63	limitator	limiter	ps731-2-63
64	arc	spring	ps731-2-64
65	saiba	washer	ps731-2-65
66	roata marsarier	reversing wheel	ps731-2-66
67	flansa cuplare	flange coupling	ps731-2-67
68	ax marsarier	reversing shaft	ps731-2-68
69	saiba ø18x1.8	washer ø18x1.8	ps731-2-69
70	stift	pin	ps731-2-70
71	saiba	washer	ps731-2-71
72	grower ø12	grower ø12	ps731-2-72
73	surub m10x20	screw m10x20	ps731-2-73
74	piulita m8	nut m8	ps731-2-74
75	reazem cablu ambreiaj	support clutch cable	ps731-2-75
76	zegher	zegher	ps731-2-76
77	lagar levier ambreiaj	bush	ps731-2-77
78	oring ø10.2x2.15	oring ø10.2x2.15	ps731-2-78
79	furca ambreiaj	clutch fork	ps731-2-79
80	stift b6x20	clip	ps731-2-80
81	siguranta	clip	ps731-2-81

82	bucsa	bush	ps731-2-82
83	levier ambreiaj	clutch lever	ps731-2-83
84	fixator cablu	support cable	ps731-2-84
85	saiba ø8	washer ø8	ps731-2-85
86	grower ø8	grower ø8	ps731-2-86
87	piulita m8	nut m8	ps731-2-87
88	piulita	nut	ps731-2-88
89	furca marsarier	reversing fork	ps731-2-89
90	oring ø10.2x2.15	oring ø10.2x2.15	ps731-2-78
91	levier marsarier	reverse lever	ps731-2-91
92	furca schimbator	fork gearshift	ps731-2-92
93	siguranta	clip	ps731-2-93
94	levier schimbator viteze	lever gearshift	ps731-2-94
95	saiba ø8	washer ø8	ps731-2-95
96	oring ø10.2x2.15	oring ø10.2x2.15	ps731-2-78
97	lagar levier schimbator	bush	ps731-2-97
98	siguranta	clip	ps731-2-98
99	bolt	bolt	ps731-2-99
100	brat levier	lever arm	ps731-2-100
101	joja	oil dipstick	ps731-2-101
102	carcasa cutie viteze	gearbox case	ps731-2-102
103	oring ø12.5x2	oring ø12.5x2	ps731-2-103
104	ansamblu freze	knife assembly	ps731-2-104
105	cutit stanga	left blade	51210003
106	cutit dreapta	right blade	51210004



Nr. crt	Denumire produs	Product name	Cod comanda
1	piulita m10	nut m10	ps731-4-1
2	grover 10	spring washer 10	ps731-4-2
3	saiba 10	washer 10	ps731-4-3
4	manicot	wheel axle	ps731-4-4
5/8	janta 400x10	spoke	ps731-4-5
5a/8a	janta 500x8	spoke	ps731-4-5a
6	camera 400x10	inner tube	ps731-4-6
6a	camera 500x8	inner tube	ps731-4-6a
7	anvelopa 400x10	outer rubber tyre	ps731-4-7
7a	anvelopa 500x8	outer rubber tyre	ps731-4-7a
9	surub	bolt	ps731-4-9