

Nr.crt	Denumire produs	Product name	Cod comanda
1	coarne	handle assy	ps701ks-2-1
2	maneta acceleratie	trottle shift assy	ps701ks-2-2
3	maner	handle grips	ps701ks-2-3
4	buton on/off	power switch	ps701ks-2-4
5	maneta ambreiaj	clutch grup	ps701ks-2-5
6	surub m16x150	bolt m6x150	ps701ks-2-6
7	piulita speciala	t-adjusting rod	ps701ks-2-7
8	saiba 20	washer 20	ps701ks-2-8
9	saiba grower 20	spring washer 20	ps701ks-2-9
10	placa prindere	plate	ps701ks-2-10
11	saiba 16	washer 16	ps701ks-2-11
12	saiba grower 16	spring washer 16	ps701ks-2-12
13	maner strangere	adjusting rod	ps701ks-2-13
14	maner	rubber handle	ps701ks-2-14
15	cablu ambreiaj	clutch cable	ps701ks-2-15
16	bolt	pin	ps701ks-2-16
17	saiba grower 10	spring washer 10	ps701ks-2-17
18	saiba 10	washer 10	ps701ks-2-18
19	surub m10x95	bolt m10x95	ps701ks-2-19
20	surub m10x25	bolt m10x25	ps701ks-2-20
21	suport accesorii	resistance rod	ps701ks-2-21
22	siguranta 3.0	pin 3.0	ps701ks-2-22
23	bolt b8x50	pin b8x50	ps701ks-2-23
24	suport picior	connection frame assy	ps701ks-2-24
25	pricior adancime	dragging assy	ps701ks-2-25
26	siguranta 2.0	pin 2.0	ps701ks-2-26
27	surub m12x60	bolt m12x60	ps701ks-2-27
28	piulita m12	nut m12	ps701ks-2-28
29	piulita m10	nut m10	ps701ks-2-29
30	suport coarne	handle seat	ps701ks-2-30
31	surub m8x20	bolt m8x20	ps701ks-2-31
32	garnitura	gasket	ps701ks-2-32
33	bolt b5x28	pin b5x28	ps701ks-2-33
34	siguranta 1.2x16	pin 1.2x16	ps701ks-2-34
35	placa indicator	shift frame	ps701ks-2-35
36	surub m6x12	bolt m6x12	ps701ks-2-36
37	levier schimbator	shift level	ps701ks-2-37
38	placa	plate	ps701ks-2-38

Producător motoutilaje

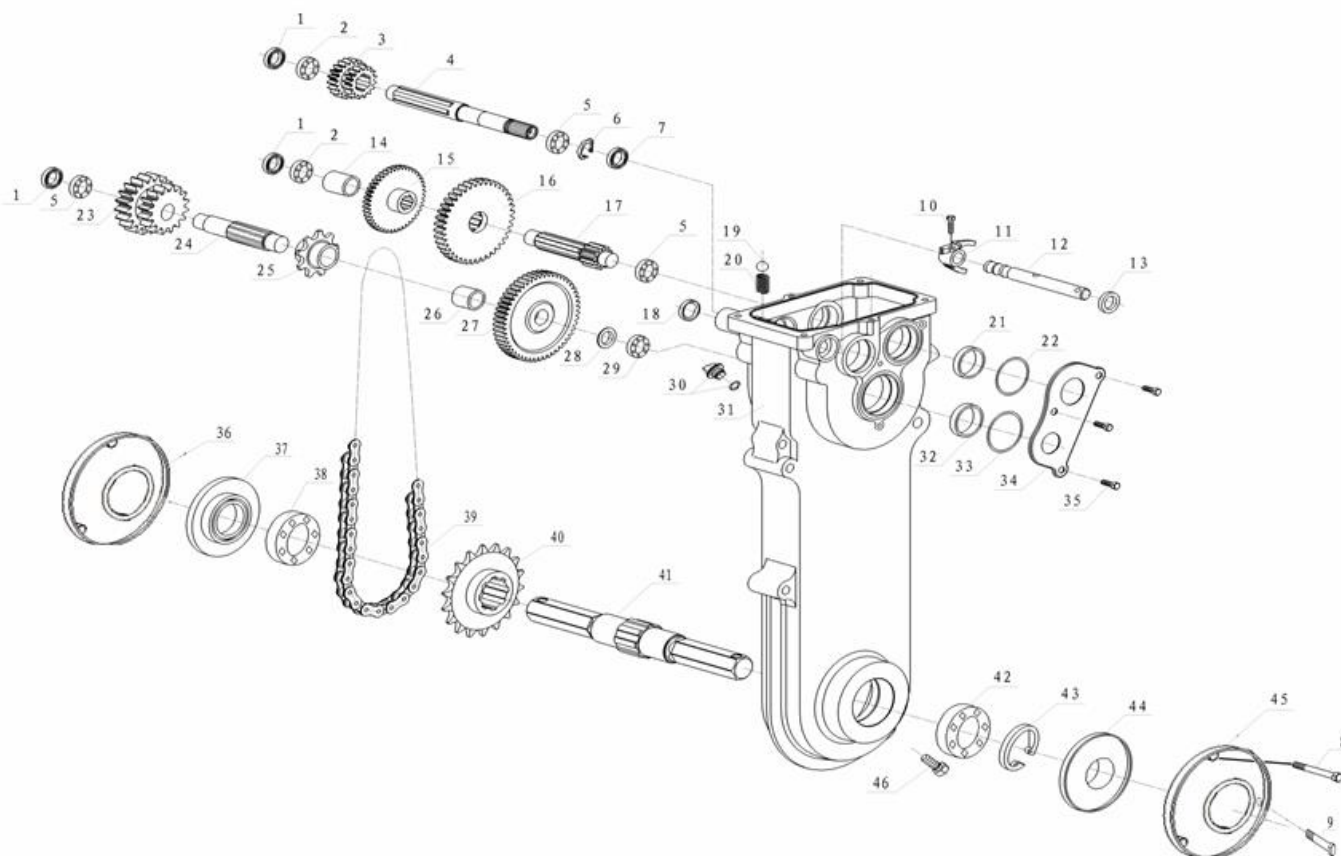
Documentatie tehnică

39	surub	bolt m8x40	ps701ks-2-39
40	limitator	v-belt guard	ps701ks-2-40
41	fulie	driven pulley	ps701ks-2-41
42	capac fulie	pulley cover	ps701ks-2-42
43	surub m6x16	bolt m6x16	ps701ks-2-43
44	surub m8x20	bolt m8x20	ps701ks-2-44
45	curea 17x963	belt 17x963	ps701ks-2-45
46	aparatoare curele	belt cover	ps701ks-2-46
47	bolt b6x35	pin b6x35	ps701ks-2-47
48	surub m8x16	bolt m8x16	ps701ks-2-48
49	aripa dreapta	fender right	ps701ks-2-49
50	ansamblu freze	blade assy	ps701ks-2-50
51	ansamblu reductor	gear box assy	ps701ks-2-51
52	suport inferior aripi	support back for fender	ps701ks-2-52
53	piulita m8	nut m8	ps701ks-2-53
54	saiba grower 8	spring washer 8	ps701ks-2-54
55	suport	support back for fender	ps701ks-2-55
56	saiba 12	washer 12	ps701ks-2-56
57	arc intinzator	tensioning wheel spring	ps701ks-2-57
58	intinzator	tensioning wheel assy	ps701ks-2-58
59	limitator	v-belt guard	ps701ks-2-59
60	surub m6x20	bolt m6x20	ps701ks-2-60
61	piulita m8	nut m8	ps701ks-2-61
62	saiba grower 8	spring washer 8	ps701ks-2-62
63	saiba 8	washer 8	ps701ks-2-63
64	aripa stanga	fender left	ps701ks-2-64
65	surub m10x70	bolt m10x70	ps701ks-2-65
66	suport motor	engine support	ps701ks-2-66
67	bara protectie	guard	ps701ks-2-67
68	suport picior de sprijin	stander connector	ps701ks-2-68
69	surub m10x80	bolt m10x80	ps701ks-2-69
70	arc	spring	ps701ks-2-70
71	picior de sprijin	stander	ps701ks-2-71
72	suport superior aripi	support front for fender	ps701ks-2-72
73	surub m8x60	bolt m8x60	ps701ks-2-73
74	motor	engine assy	ps701ks-2-74
75	limitator	belt guard	ps701ks-2-75
76	limitator	belt guard	ps701ks-2-76
77	fulie	driven pulley	ps701ks-2-77
78	surub m8x40	bolt m8x40	ps701ks-2-78
79	cablu acceleratie	throttle cable	ps701ks-2-79

Producător motoutilaje

Documentatie tehnică

80	ornament	ornament	ps701ks-2-80
81	ornament	ornament	ps701ks-2-81
82	surub m6x16	bolt m6x16	ps701ks-2-82
83	piulita	nut for locking	ps701ks-2-83
84	saiba	washer	ps701ks-2-84
85	manson	rubber washer	ps701ks-2-85
86	saiba	washer	ps701ks-2-86
87	piulita m8	nut m8	ps701ks-2-87
88	manson	rubber washer	ps701ks-2-88
89	capota	engine cover	ps701ks-2-89
90	suport superior capota	front support for engine cover	ps701ks-2-90
91	suport inferior capota	back support for engine cover	ps701ks-2-91
92	ornament	ornament	ps701ks-2-92

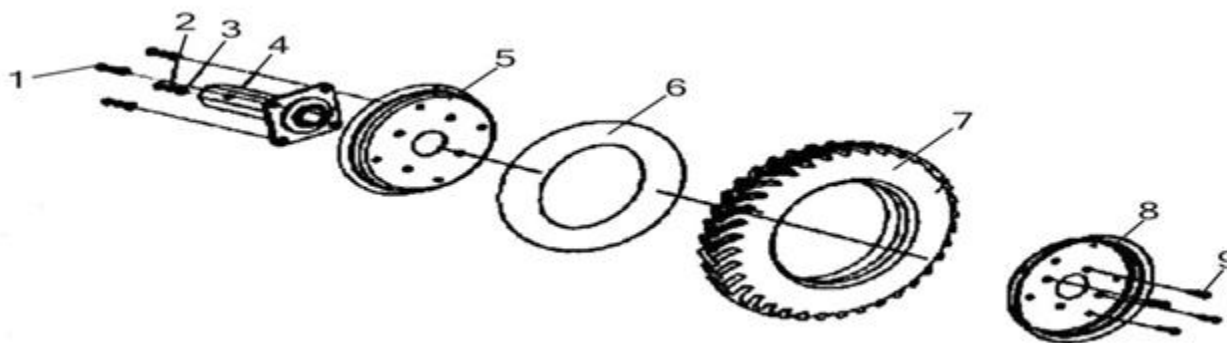


Nr.crt	Denumire produs	Product name	Cod comanda
1	dop 28x6	oil plug 28x6	ps701ks-3-1
2	rulment 6002	bearing 6002	ps701ks-3-2
3	roata baladoare	chande gear	ps701ks-3-3
4	ax principal	mainshaft	ps701ks-3-4
5	rulment 6202	bearing 6202	ps701ks-3-5
6	zegher	elastic clip	ps701ks-3-6
7	simering 15x35x7	oil seal 15x35x7	ps701ks-3-7
8	surub m6x12	bolt m6x12	ps701ks-3-8
9	surub m6x12	bolt m6x12	ps701ks-3-9
10	surub m6x16	bolt m6x16	ps701ks-3-10
11	indexor	shift fork	ps701ks-3-11
12	ax indexor	shift fork shaft	ps701ks-3-12
13	simering 12x22x6	oil seal 12x22x6	ps701ks-3-13
14	bucsa 20.5x25.5x11	bush 20.5x25.5x11	ps701ks-3-14
15	roata dintata	gearwheel	ps701ks-3-15
16	roata dintata	gearwheel	ps701ks-3-16
17	ax canelat	driving sprocket shaft	ps701ks-3-17
18	dop 16x5	oil plug 16x5	ps701ks-3-18
19	bila de otel 6.35	steel ball 6.35	ps701ks-3-19
20	arc	spring	ps701ks-3-20
21	bucsa 30x34.8x7	bush 30x34.8x7	ps701ks-3-21
22	oring 45x2.5	oring 45x2.5	ps701ks-3-22
23	roata marsarier	reverse gear	ps701ks-3-23
24	ax canelat	driving sprocket shaft	ps701ks-3-24
25	pinion	driving chain wheel	ps701ks-3-25
26	bucsa	bush	ps701ks-3-26
27	roata dintata	gearwheel	ps701ks-3-27
28	saiba	washer	ps701ks-3-28
29	rulment 6203	bearing 6203	ps701ks-3-29
30	buson ulei	level gauge	ps701ks-3-30
31	carcasa reductor	transmission case body	ps701ks-3-31
32	bucsa 35x39.8x7	bush 35x39.8x7	ps701ks-3-32
33	oring 45x2.5	oring 45x2.5	ps701ks-3-33
34	placa	plate	ps701ks-3-34
35	surub m6x12	bolt m6x12	ps701ks-3-35
36	capac	cover	ps701ks-3-36
37	simering 25x41x13.5	oil seal 25x41x13.5	ps701ks-3-37
38	rulment 6005	bearing 6005	ps701ks-3-38

Producător motoutilaje

Documentatie tehnică

39	lant	chain	ps701ks-3-39
40	pinion	driving chain wheel	ps701ks-3-40
41	ax iesire transmisie	driven sprocket shaft	ps701ks-3-41
42	rulment 6205	bearing 6205	ps701ks-3-42
43	zegher	elastic clip	ps701ks-3-43
44	simering 25x52x13.5	oil seal 25x52x13.5	ps701ks-3-44
45	capac	cover	ps701ks-3-45
46	buson drenaj m12x1.25x16	oil drain plug m12x1.25x16	ps701ks-3-46



Nr.crt	Denumire produs	Product name	Cod comanda
1	piulita m10	nut m10	ps701ks-4-1
2	saiba grower 10	spring washer 10	ps701ks-4-2
3	saiba 10	washer 10	ps701ks-4-3
4	manicot	wheel axle	ps701ks-4-4
5/8	janta	spoke	ps701ks-4-5
6	camera	inner tube	ps701ks-4-6
7	anvelopa	outer rubber tyre	ps701ks-4-7
9	surub m10x30	bolt m10x30	ps701ks-4-9