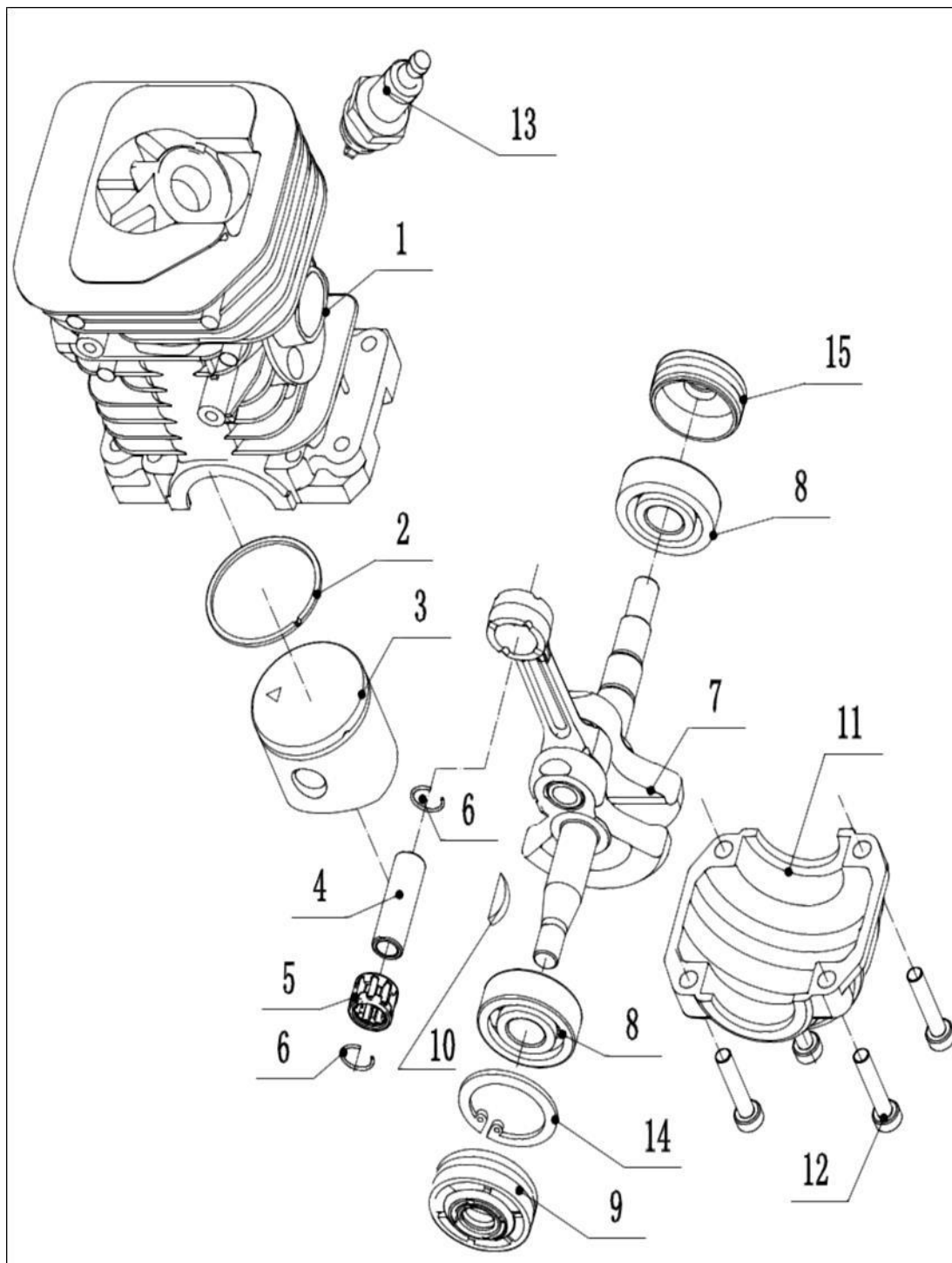


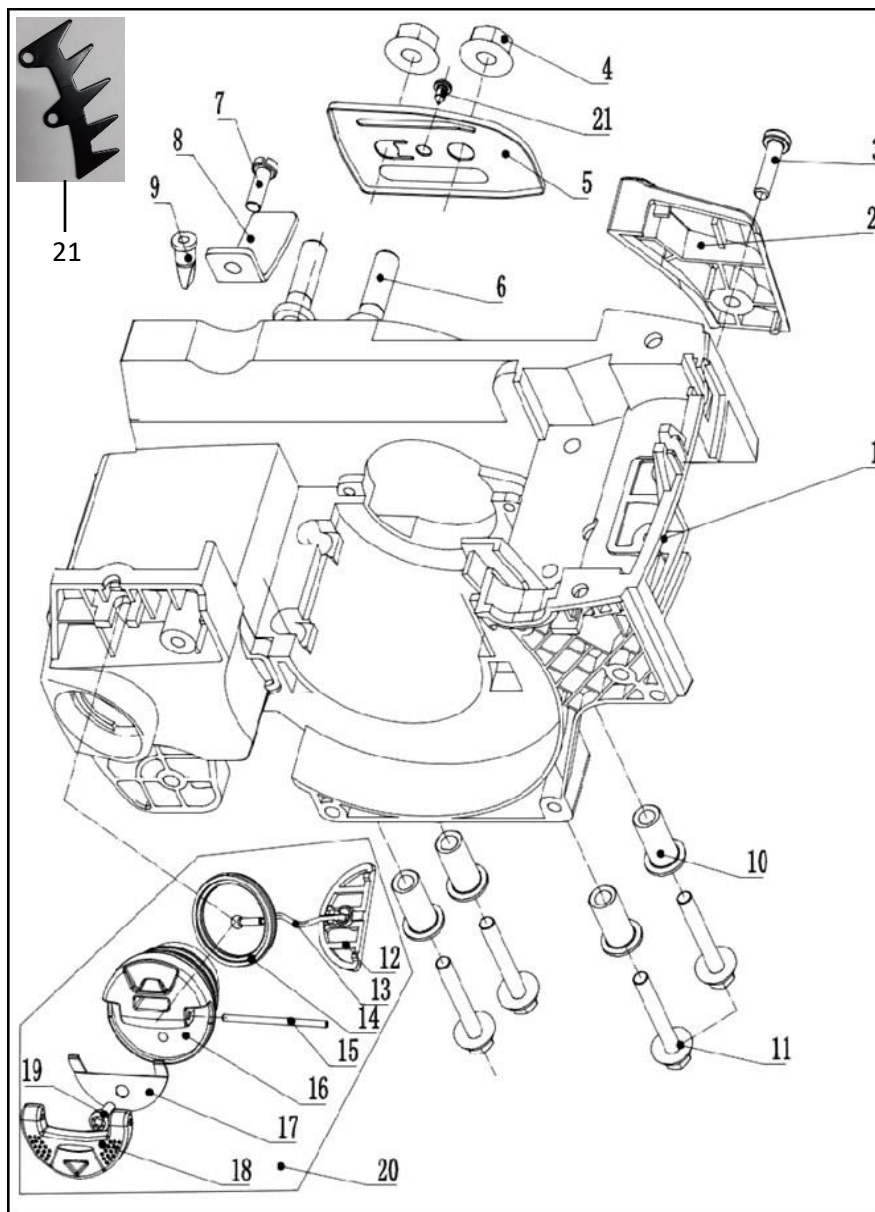
## Documentatie tehnica motoferastrau 192

Figura A



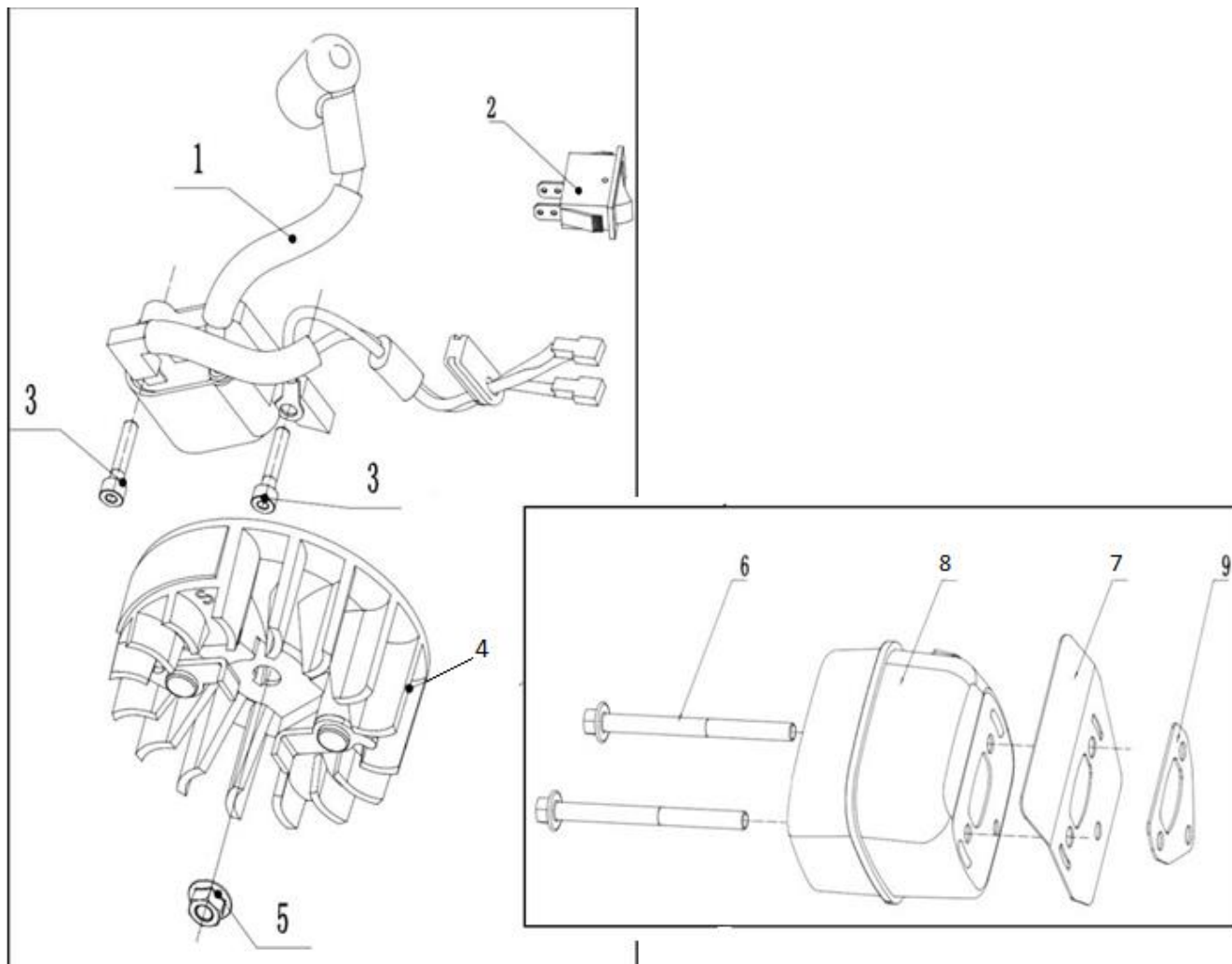
Nr. crt	Denumire produs	Product name	Cod comanda
1	cilindru	cylinder	ps192-a1
2	segment	piston ring	ps192-a2
3	piston	piston	ps192-a3
4	bolt piston	piston pin	ps192-a4
5	rulment ace	needle bearing	ps192-a5
6	siguranta bolt	piston retainer	ps192-a6
7	ambielaj	crankshaft	ps192-a7
8	rulment 6001/p6	bearing 6001/p6	ps192-a8
9	simering 12x28x7	oil seal 12x28x7	ps192-a9
10	pana volanta	key	ps192-a10
11	carter	crank case	ps192-a11
12	surub M5x25	screw m5x25	ps192-a12
13	bujie	spark plug	br2t
14	zegher 28 interior	snap ring 28	ps192-a14
15	simering 12x25x7	oil seal 12x25x7	ps192-a15

Figura B



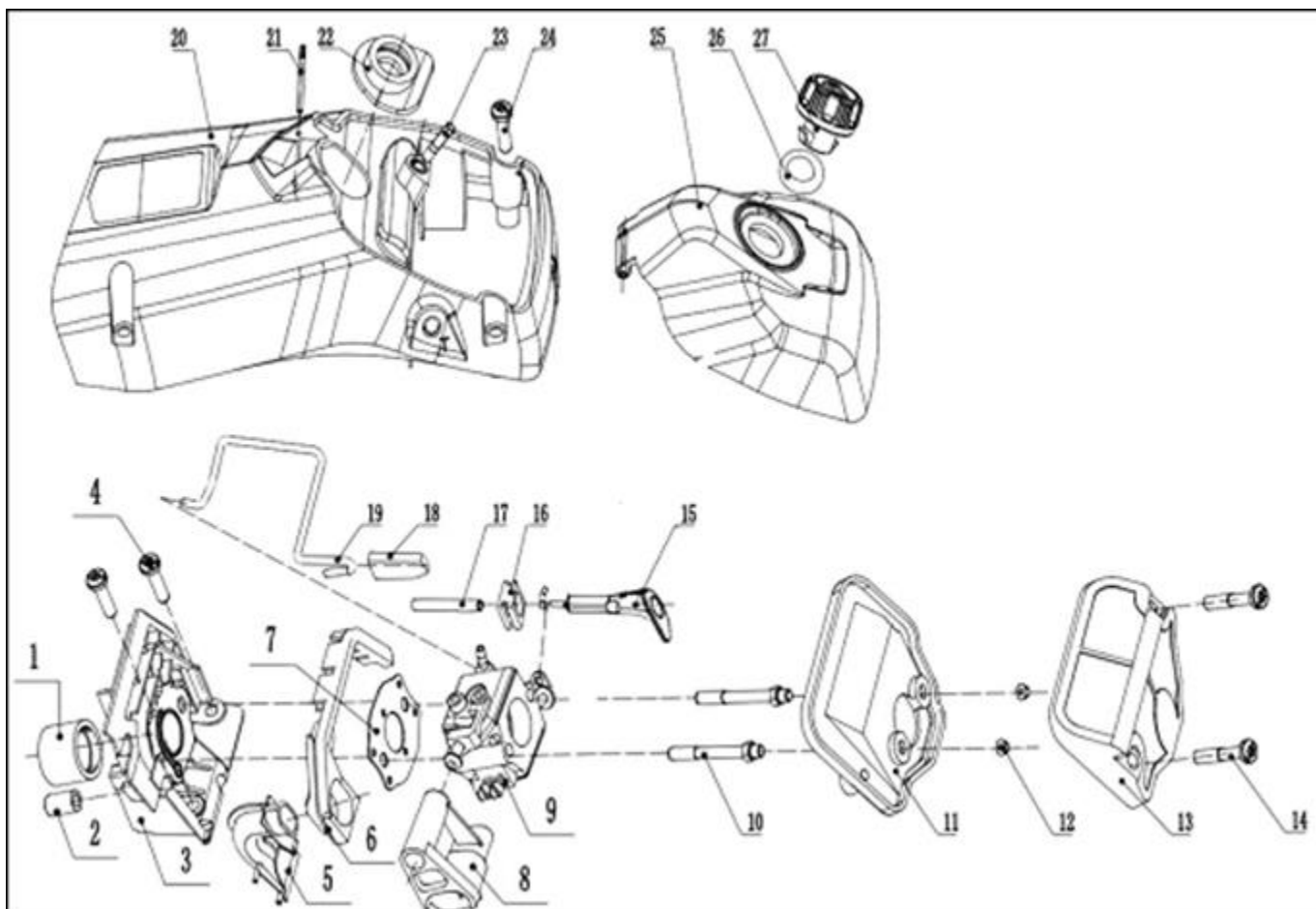
Nr.crt	Denumire produs	Denumire produs	Cod comanda
1	carcasa	housing	ps192-b1
2	ornament	cover	ps192-b2
3	surub	screw	ps192-b3
4	piulita	nut	ps192-b4
5	placa	pate	ps192-b5
6	prezon sina	stud	ps192-b6
7	surub	screw	ps192-b7
8	limitator lant	stopper	ps192-b8
9	supapa	valve	ps192-b9
10	bucsa	bush	ps192-b10
11	surub	screw	ps192-b11
12	fluture	oil tank cap holder	ps192-b12
13	snur	rope	ps192-b13
14	garnitura	gasket	ps192-b14
15	balama	hinge	ps192-b15
16	buson ulei	oil cap	ps192-b16
17	placa elastica	elastic plate	ps192-b17
18	clapeta buson	flap	ps192-b18
19	surub	screw	ps192-b19
20	ans buson ulei	oil cap assy	ps192-b20
21	gheara	claw	ps192-b21

Figura C



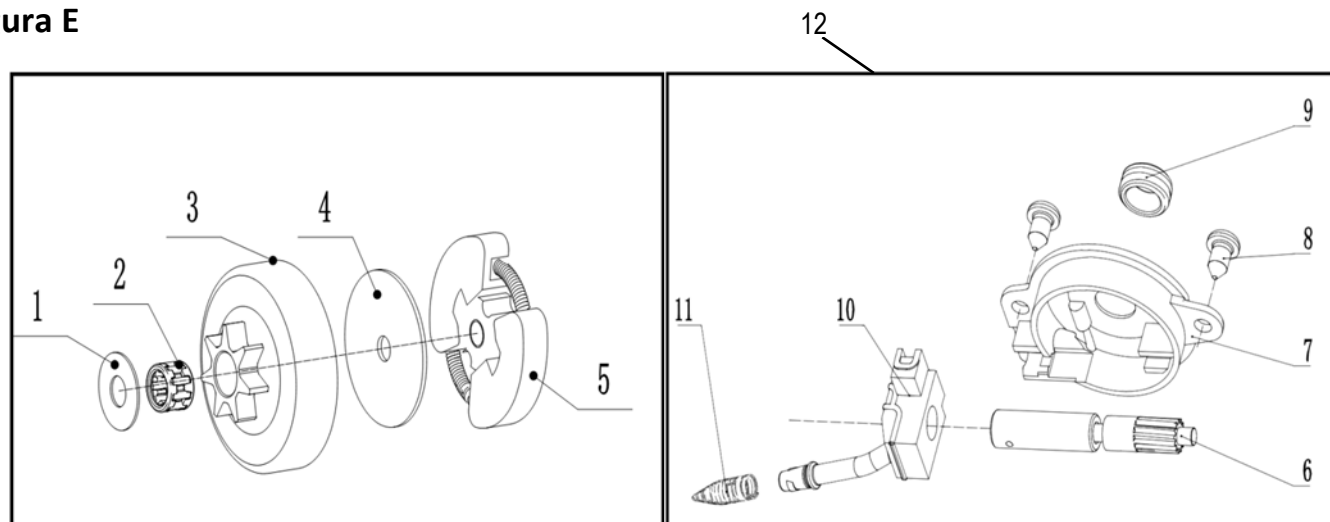
Nr.crt	Denumire produs	Produc name	Cod comanda
1	modul aprindere	ignition coil	ps192-c1
2	intrerupator	switch	ps192-c2
3	surub m4x16	screw m4x16	ps192-c3
4	volanta	flywheel	ps192-c4
5	piulita	nut	ps192-c5
6	surub m6x78	screw m6x78	ps192-c6
7	garnitura	gasket	ps192-c7
8	toba esapament	muffler	ps192-c8
9	garnitura toba	muffler gasket	ps192-c9

Figura D



Nr. crt	Denumire produs	Product name	Cod comanda
1	galerie admisie	gallery admission	ps192-d1
2	galerie vacuum	vacuum gallery	ps192-d2
3	placa carburator	carburetor bracket	ps192-d3
4	surub	screw	ps192-d4
5	galerie	gallery	ps192-d5
6	rama	frame	ps192-d6
7	garnitura carburator	carburetor gasket	ps192-d7
8	ghidaj	guide	ps192-d8
9	carburator	carburetor	ps192-d9
10	surub carburator	screw	ps192-d10
11	placa filtru aer	air filter plate	ps192-d11
12	piulita	nut	ps192-d12
13	filtru aer	air filter	ps192-d13
14	surub filtru	screw	ps192-d14
15	levier soc	lever shock	ps192-d15
16	ghidaj soc	shock guide	ps192-d16
17	tija	rod	ps192-d17
18	cuplaj	coupling	ps192-d18
19	levier	lever	ps192-d19
20	capota	hood	ps192-d20
21	balama	hinge	ps192-d21
22	gura ventilatie	vent hole	ps192-d22
23	prezon	stud	ps192-d23
24	surub	screw	ps192-d24
25	capac filtru aer	air filter cover	ps192-d25
26	saiba	washer	ps192-d26
27	piulita fluture	knob	ps192-d27

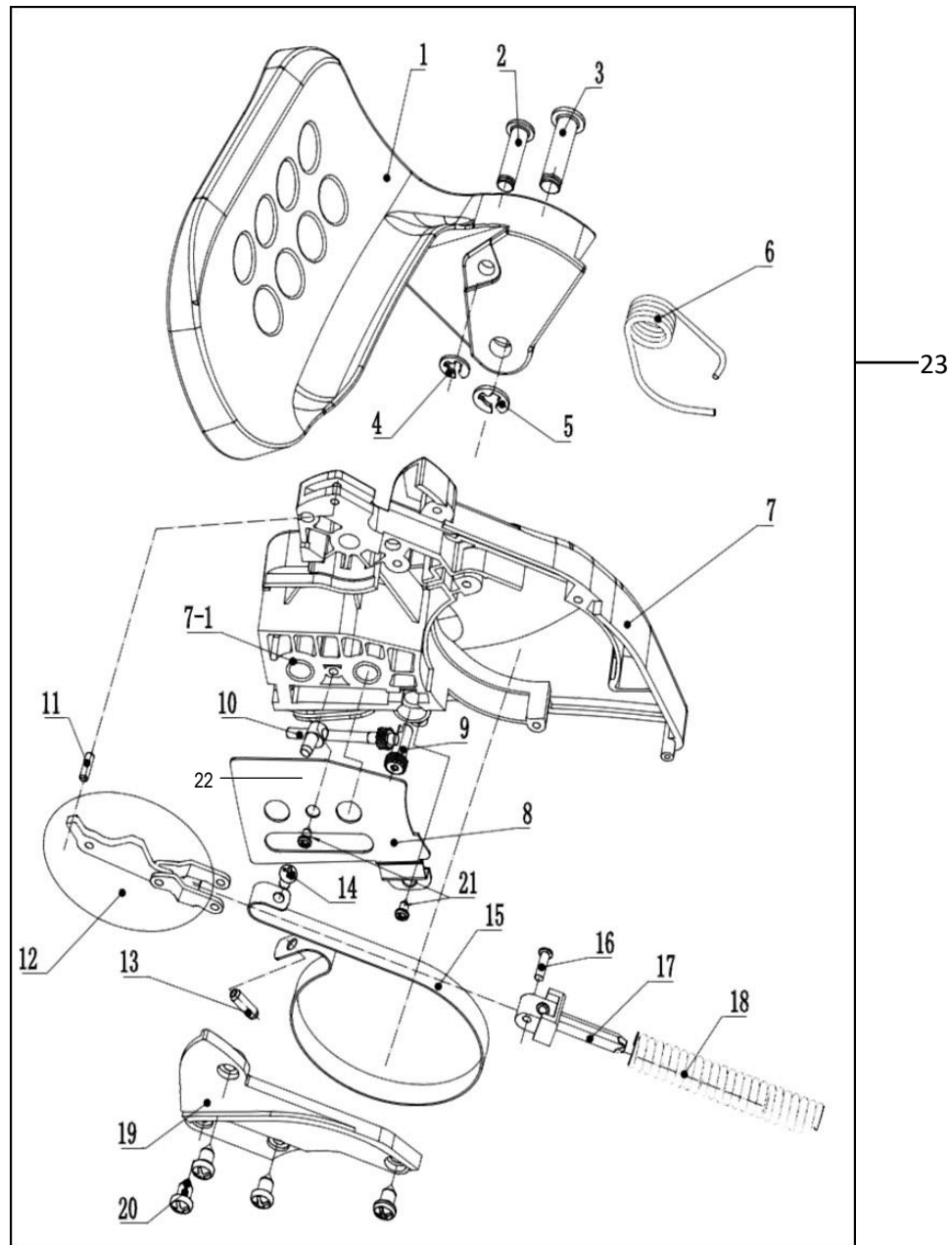
Figura E



Nr. crt	Denumire produs	Product name	Cod comanda
1	saiba	washer	ps192-e1
2	rulment ace	needle bearing	ps192-e2
3	carcasa ambreiaj	clutch housing	ps192-e3
4	saiba ambreiaj	washer	ps192-e4
5	ambreiaj	clutch	ps192-e5
6	pompa ulei	oil pump	ps192-e6
7	carcasa pompa	pump housing	ps192-e7
8	surub	screw	ps192-e8
9	antrenor	oil pump worm	ps192-e9
10	racord pompa	pump connection	ps192-e10
11	filtru ulei	oil filter	ps192-e11
12	ansamblu pompa ulei	oil pump assy.	ps192-e12



Figura F

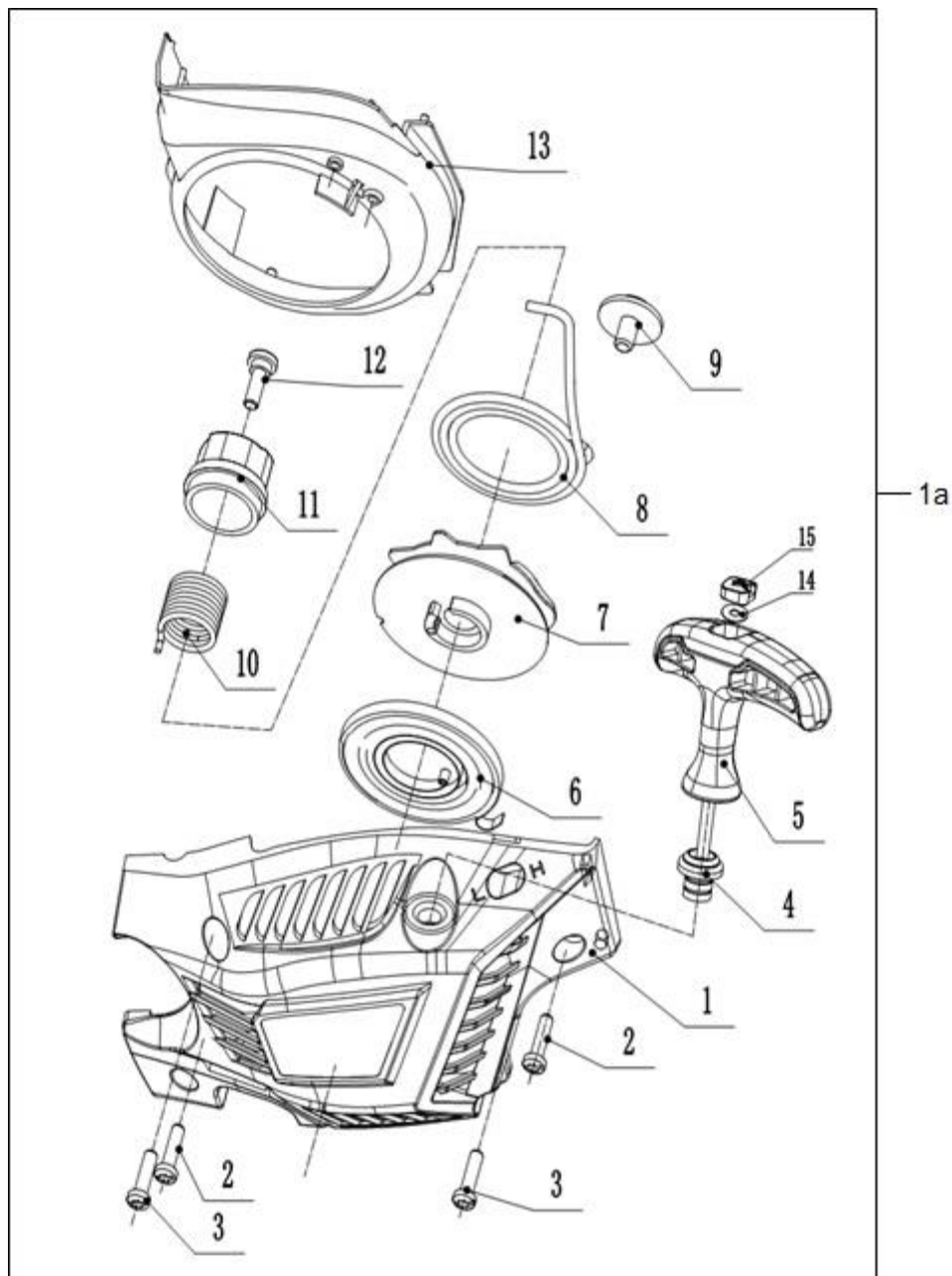


## Producător motoutilaje

## Documentatie tehnică

Nr. crt	Denumire	Product name	Cod comanda
1	maner frana	front handle guard	ps192-f1
2	bolt	pin	ps192-f2
3	bolt	pin	ps192-f3
4	siguranta	snap ring	ps192-f4
5	siguranta	snap ring	ps192-f5
6	arc	spring	ps192-f6
7	capac roata lant	clutch cover	ps192-f7
8	placa	plate	ps192-f8
9	pinion intinzator	chain adjusting sprocket	ps192-f9
10	surub intinzator	screw chain adjusting	ps192-f10
11	bolt	pin	ps192-f11
12	levier frana	brake lever	ps192-f12
13	bolt	pin	ps192-f13
14	surub	screw	ps192-f14
15	banda de franare	brake band	ps192-f15
16	bolt	pin	ps192-f16
17	ghidaj arc	lever	ps192-f17
18	arc	spring	ps192-f18
19	capac	cover	ps192-f19
20	surub	screw	ps192-f20
21	surub	screw	ps192-f21
22	piulita intinzator	nut	ps192-f22
23	ansamblu capac frana	front handle cap	ps192-f23

Figura G



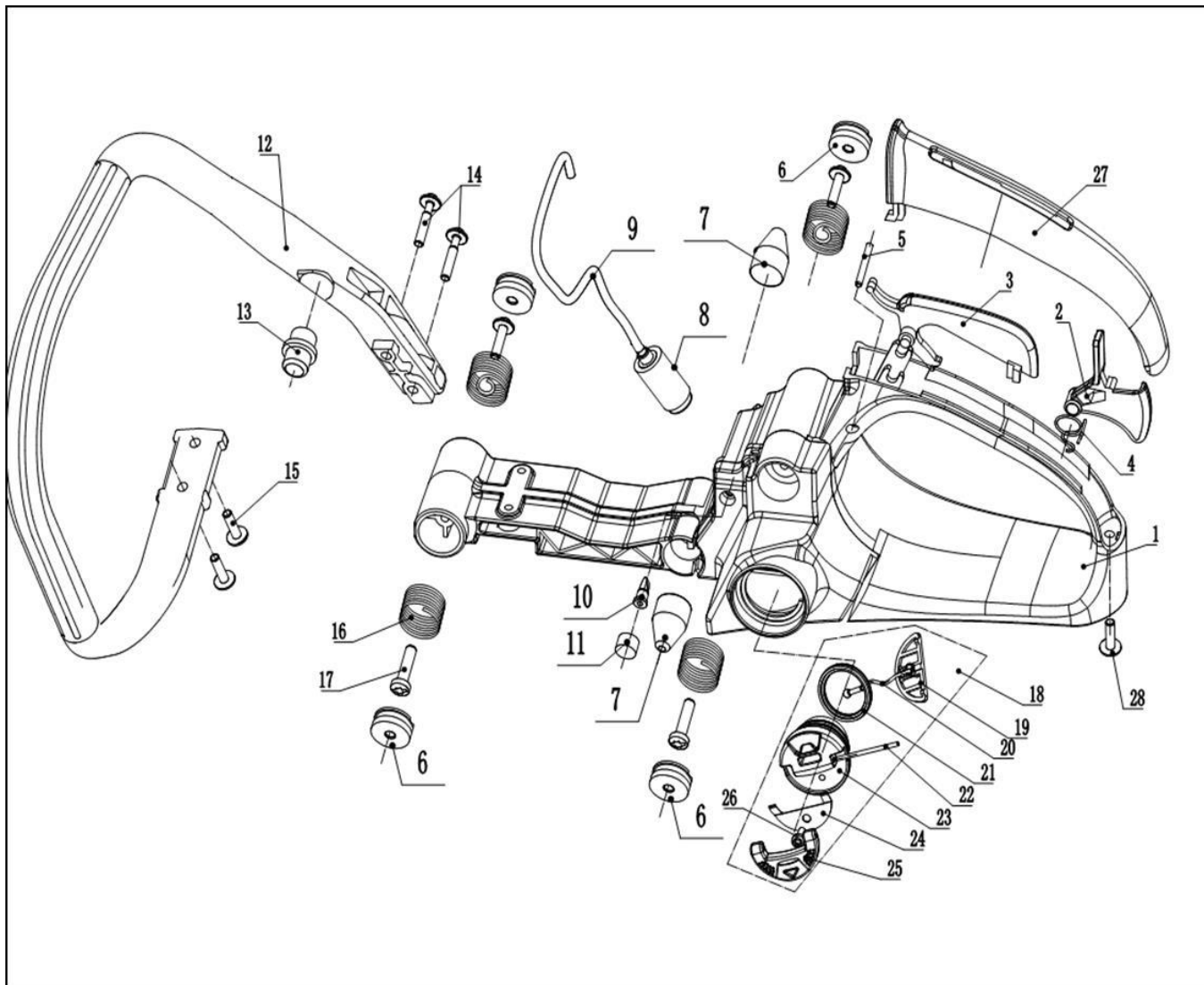
Nr. crt	Denumire produs	Product name	Cod comanda
1a	ansamblu demaror	starter assy	ps192-g
1	carcasa demaror	starter case	ps192-g1
2	surub	screw	ps192-g2
3	surub	screw	ps192-g3

## Producător motoutilaje

## Documentatie tehnică

4	bucsa	bush	ps192-g4
5	maner demaror	starter grip	ps192-g5
6	arc recuperator	reciol spring	ps192-g6
7	rola start	roll start	ps192-g7
8	sfoara 3x920	rope	ps190-1-41
9	distantier	spacer	ps192-g9
10	arc easy start	spring easy start	ps192-g10
11	rola demaror	starter reel	ps192-g11
12	surub rola	screw	ps192-g12
13	deflector	deflector	ps192-g13
14	saiba	washer	ps192-g14
15	dop maner	cap	ps192-g15

Figura H



Nr. crt	Denumire produs	Product name	Cod comanda
1	maner rezervor	fuel tank	ps192-h1
2	cocos acceleratie	throttle lever	ps192-h2
3	blocator	throttle interlock arm	ps192-h3
4	arc	spring	ps192-h4
5	bolt	pin	ps192-h5
6	dop	cap	ps192-h6
7	limitator	damper	ps192-h7
8	filtru benzina	fuel filter	ps192-h8
9	furtun alimentare	fuel pipe	ps192-h9

## Producător motoutilaje

## Documentatie tehnică

10	supapa	valve	ps192-h10
11	protectie	protection	ps192-h11
12	maner	handle	ps192-h12
13	amortizor	damper	ps192-h13
14	surub	screw	ps192-h14
15	surub	screw	ps192-h15
16	amortizor	damper	ps192-h16
17	surub	screw	ps192-h17
18	ans buson carburant	fuel cap assy	ps192-h18
19	fluture	fuel cap holder	ps192-n19
20	snur	rope	ps192-h20
21	garnitura buson	fuel cap gasket	ps192-h21
22	balama	hinge	ps192-h22
23	buson carburant	fuel cap	ps192-h23
24	placa elastica	elastic plate	ps192-h24
25	clapeta	flap	ps192-h25
26	surub	screw	ps192-h26
27	capac maner	handle cover	ps192-h27
28	surub	screw	ps192-h28