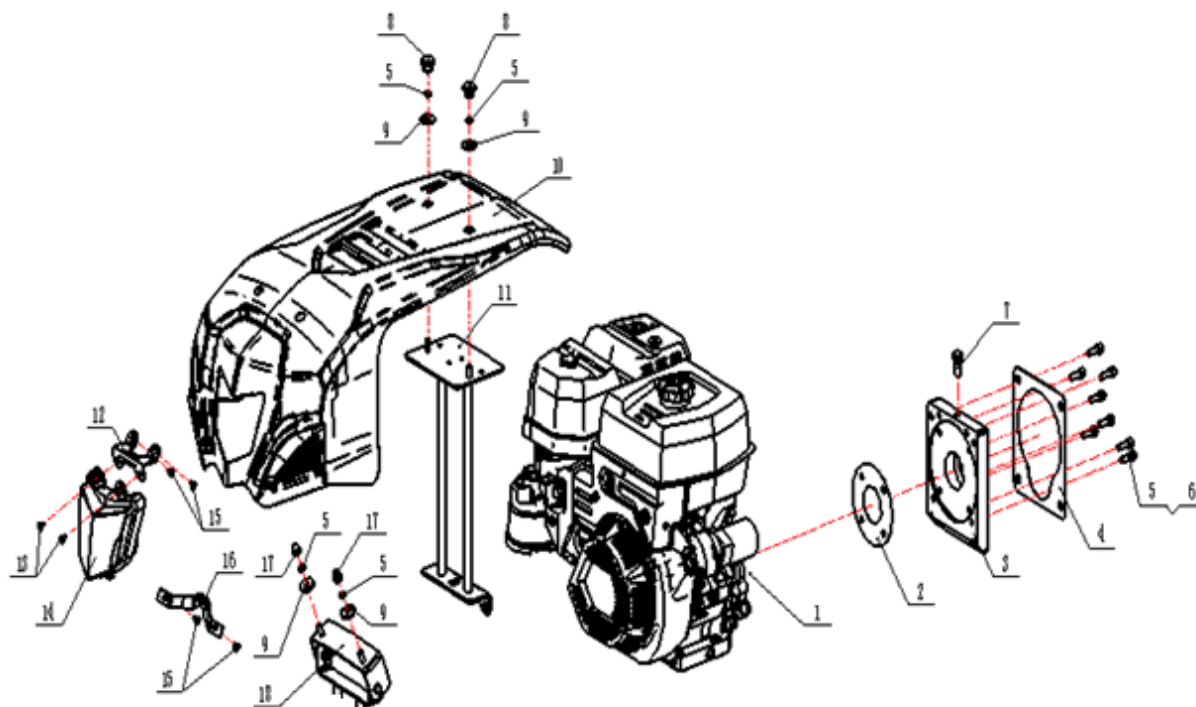


Documentatie tehnica motocultor Ruris 1300ks

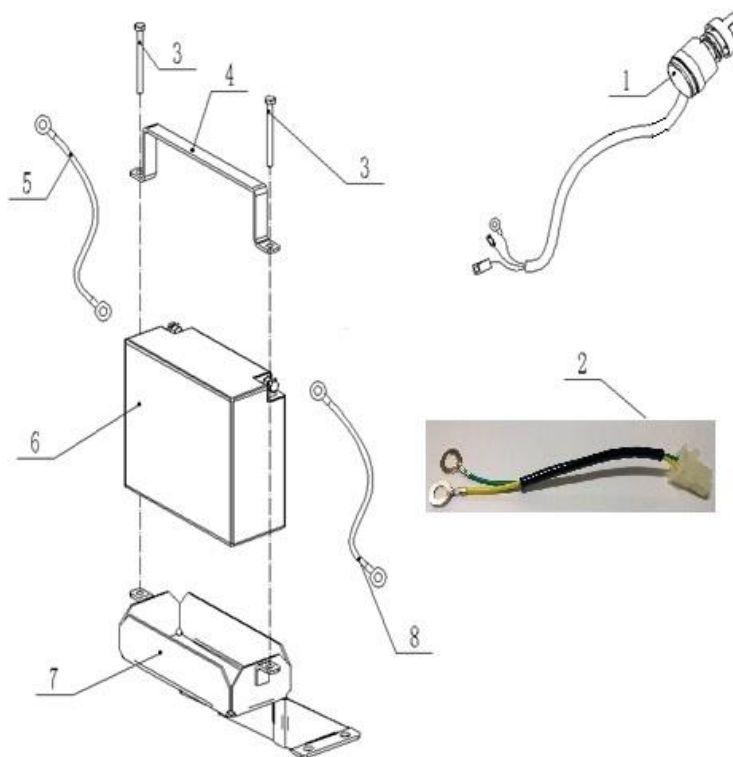


Nr.crt	Denumire produs	Product name	Cod comanda
1	motor	engine assy	ps1300ks-1-1
2	garnitura 0.5mm	gasket 0.5mm	ps1300ks-1-2
3	flansa	flange plate	ps1300ks-1-3
4	garnitura 0.2mm	gasket 0.2mm	ps1300ks-1-4
5	saiba grover	spring washer 8	ps1300ks-1-5
6	surub m8x25	bolt M8X25	ps1300ks-1-6
7	surub m12x12.5	bolt M12*12.5	ps1300ks-1-7
8	piulita	nut	ps1300ks-1-8
9	saiba	washer	ps1300ks-1-9
10	capota motor	engine cover	ps1300ks-1-10
11	suport inferior capota	supportor for engine cover (back)	ps1300ks-1-11
12	suport far a	frame light a	ps1300ks-1-12
13	surub	bolt	ps1300ks-1-13
14	far	lamp assy	ps1300ks-1-14
14a	bec far	light bulb	ps1300ks-1-14a
15	surub st4.8x16	bolt st4.8x16	ps1300ks-1-15
16	suport far b	frame light b	ps1300ks-1-16
17	piulita	nut	ps1300ks-1-17

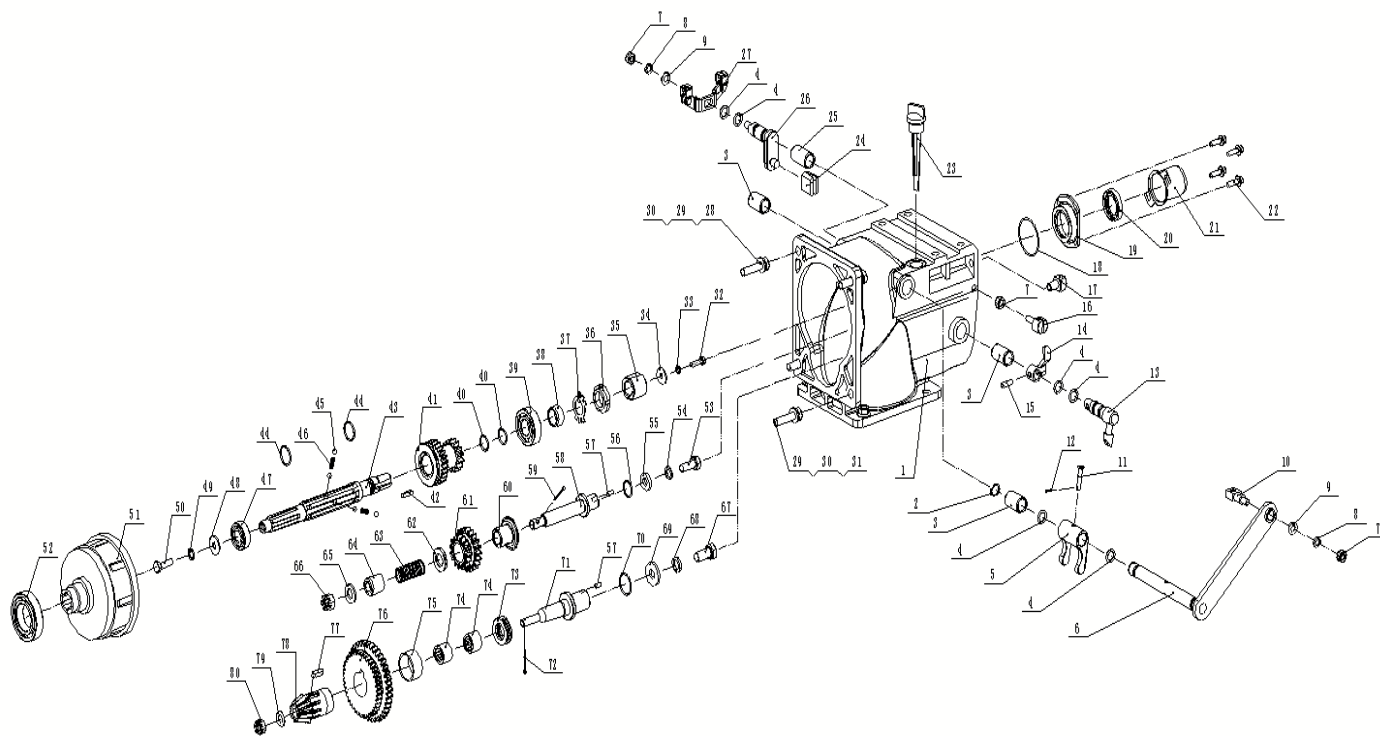
Producător motoutilaje

Documentatie tehnică

18	suport superior capota	supportor for engine cover (front)	ps1300ks-1-18
19	surub	bolt	ps1300ks-1-19
20	piulita	nut	ps1300ks-1-20



Nr.crt	Denumire produs	Product name	Cod comanda
1	contact	electric door lock	ps1300ks-2-1
2	cablu alimentare	power cord a	ps1300ks-2-2
3	surub	bolt	ps1300ks-2-3
4	suport baterie	battery supportor	ps1300ks-2-4
5	borna -	power cord b	ps1300ks-2-5
6	baterie	battery	ps1300ks-2-6
7	suport baterie	battery box	ps1300ks-2-7
8	borna +	power cord c	ps1300ks-2-8



Nr.crt	Denumire produs	Product name	Cod comanda
1	carcasa cutie de viteze	speed gear box body	ps1300ks-3-1
2	inel 16	ring 16	ps1300ks-3-2
3	bucsa	bush reversing shaft	ps1300ks-3-3
4	oring 11.2x2.65	o-ring $\phi 11.2 \times 2.65$	ps1300ks-3-4
5	furca	clutch fork	ps1300ks-3-5
6	ax furca	clutch fork shaft	ps1300ks-3-6
7	piulita m8	nut m8	ps1300ks-3-7
8	saiba grover	spring washer	ps1300ks-3-8
9	saiba	washer	ps1300ks-3-9
10	scaun cablu ambreiaj	seat, clutch cable	ps1300ks-3-10
11	bolt 6x28	pin 6*28	ps1300ks-3-11
12	siguranta 1.6x16	pin 1.6x16	ps1300ks-3-12
13	ax furca marsarier	reverse gear fork shaft	ps1300ks-3-13
14	furca marsarier	reverse gear fork	ps1300ks-3-14
15	bolt 6x20	pin 6x20	ps1300ks-3-15
16	scaun caclu marsarier	seat, reverse gear cable	ps1300ks-3-16
17	scaun cablu ambreiaj	seat, clutch cable	ps1300ks-3-17
18	oring 45x1.8	o-ring $\phi 45 \times 1.8$	ps1300ks-3-18
19	capac	pushing panel	ps1300ks-3-19
20	simering b25x40x7	oil seal B25x40x7	ps1300ks-3-20

Producător motoutilaje

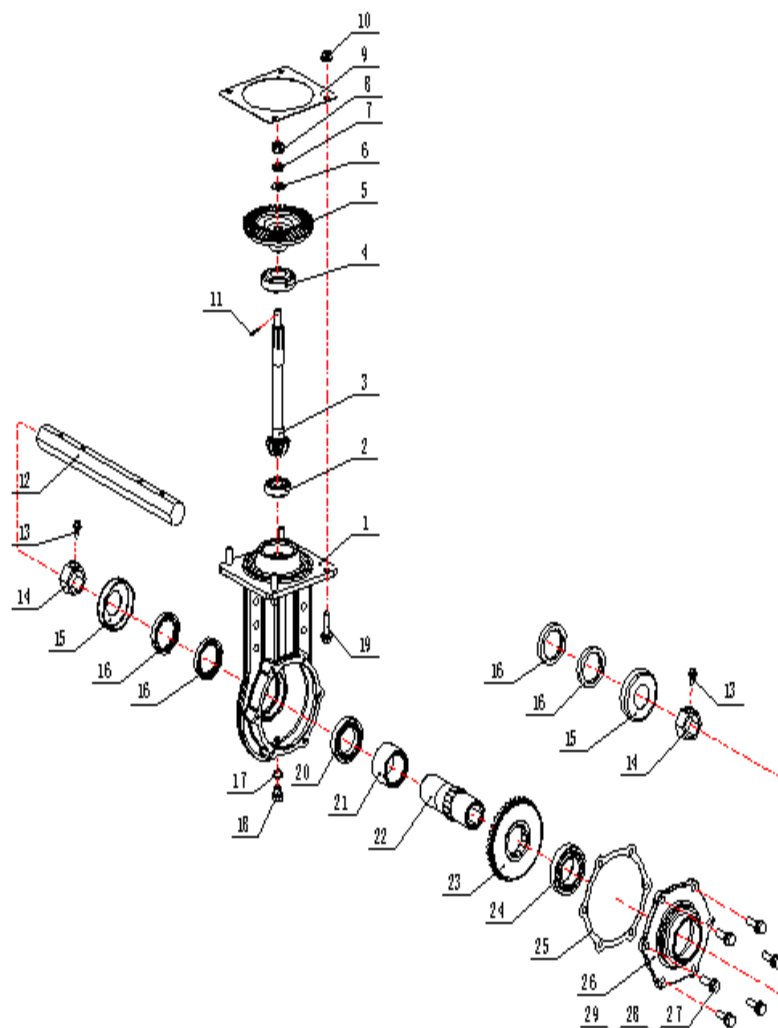
Documentatie tehnică

21	capac protectie	protec cover, principal axes	ps1300ks-3-21
22	surub m6x20	bolt m6x20	ps1300ks-3-22
23	joja	oil stick	ps1300ks-3-23
24	brat furca	shifting gear fork	ps1300ks-3-24
25	bucsa	bush shift shaft	ps1300ks-3-25
26	furca de cuplare	shift fork shaft	ps1300ks-3-26
27	maneta	shift arm	ps1300ks-3-27
28	surub m10x35	bolt m10x35	ps1300ks-3-28
29	saiba grover 10	spring washer 10	ps1300ks-3-29
30	saiba 10	washer 10	ps1300ks-3-30
31	surub m10x40	bolt m10x40	ps1300ks-3-31
32	surub m6x20	bolt m6x20	ps1300ks-3-32
33	saiba grover 10	spring washer 10	ps1300ks-3-33
34	saiba 6	washer 6	ps1300ks-3-34
35	bucsa	sheath, key	ps1300ks-3-35
36	piulita m20x1.5	nut m20x1.5	ps1300ks-3-36
37	saiba 20	washer 20	ps1300ks-3-37
38	bucsa	sheath, main shaft	ps1300ks-3-38
39	rulment 6204	bearing 6204	ps1300ks-3-39
40	oring 17x2	o-ring $\phi 17 \times 2$	ps1300ks-3-40
41	pinion	shift gear	ps1300ks-3-41
42	pana a5x5x20	key a5x5x20	ps1300ks-3-42
43	ax	main shaft	ps1300ks-3-43
44	inel 25x2	ring 25x2	ps1300ks-3-44
45	bila de otel 6.35	steel ball s $\phi 6.35$	ps1300ks-3-45
46	inel 6x1.0.17	ring $\phi 6 \times 1.0 \times 17$	ps1300ks-3-46
47	rulment 6202	bearing 6202	ps1300ks-3-47
48	saiba 8	washer 8	ps1300ks-3-48
49	saiba grover 8	spring washer	ps1300ks-3-49
50	surub m8x20	bolt m8x20	ps1300ks-3-50
51	ansamblu ambreiaj	clutch assy	ps1300ks-3-51
52	rulment 6007	bearing 6007	ps1300ks-3-52
53	surub m10x25	bolt m10x25	ps1300ks-3-53
54	saiba grover 10	spring washer 10	ps1300ks-3-54
55	saiba 10.5x22x4	washer $\phi 10.5 \times \phi 22 \times 4$	ps1300ks-3-55
56	oring 18x1.8	o-ring $\phi 18 \times 1.8$	ps1300ks-3-56
57	pana a5x10	pin a5x10	ps1300ks-3-57
58	ax marsarier	reverse shaft	ps1300ks-3-58
59	siguranta 3x30	pin 3x30	ps1300ks-3-59
60	bucsa ghidaj	pushing plate, reverse gear	ps1300ks-3-60
61	pinion marsarier	reverse gear	ps1300ks-3-61

Producător motoutilaje

Documentatie tehnică

62	saiba retinere	spring seat	ps1300ks-3-62
63	arc	spring for reverse	ps1300ks-3-63
64	bucsa	restrict cover, reverse gear	ps1300ks-3-64
65	saiba 12	washer 12	ps1300ks-3-65
66	piulita m12	nut m12	ps1300ks-3-66
67	surub m12x1.25x25	bolt m12x1.25x25	ps1300ks-3-67
68	saiba grover	spring washer 12	ps1300ks-3-68
69	saiba 13x27x4	washer $\phi 13 \times \phi 37 \times 4$	ps1300ks-3-69
70	oring 25x1.8	o-ring $\phi 25 \times 1.8$	ps1300ks-3-70
71	ax	subshaft	ps1300ks-3-71
72	siguranta 2.5x30	pin 2.5x30	ps1300ks-3-72
73	rulment 51104	bearing 51104	ps1300ks-3-73
74	rulment k18x24x20	bearing k18x24x20	ps1300ks-3-74
75	bucsa	bush	ps1300ks-3-75
76	pinion dublu	double gear	ps1300ks-3-76
77	pana a6x6x20	key a6x6x20	ps1300ks-3-77
78	pinion	iniative umbrella gear	ps1300ks-3-78
79	saiba 10x18x0.5	washer $\phi 10 \times \phi 18 \times 0.5$	ps1300ks-3-79
80	piulita m10	nut m10	ps1300ks-3-80

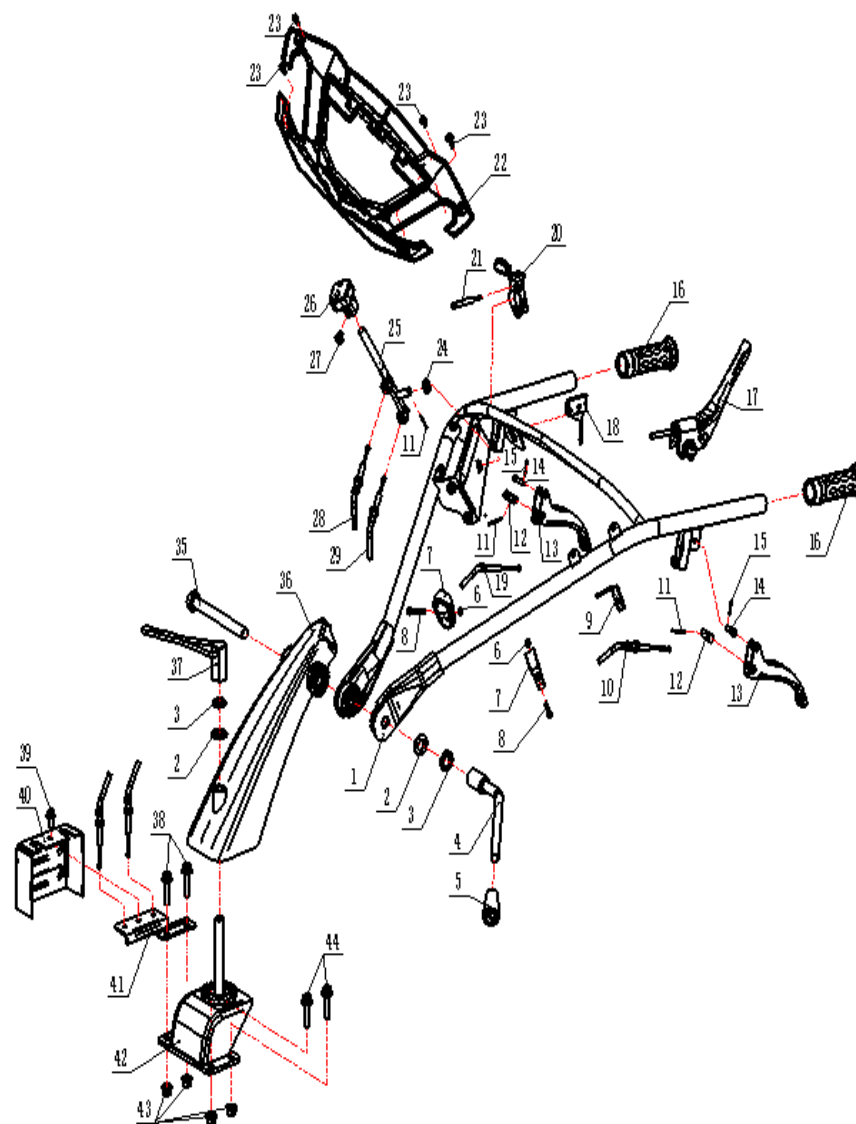


Nr.crt	Denumire produs	Product name	Cod comanda
1	carcasa reductor	transmission box body	ps1300ks-4-1
2	rulment 32004	bearing32004	ps1300ks-4-2
3	ax central	shaft umbrella gear	ps1300ks-4-3
4	rulment 32006	bearing32006	ps1300ks-4-4
5	coroana dintata	driven umbrella gear	ps1300ks-4-5
6	saiba 12	washer 12	ps1300ks-4-6
7	saiba grovere 12	spring washer 12	ps1300ks-4-7
8	piulita m12	nut m12	ps1300ks-4-8
9	garnitura	gasket	ps1300ks-4-9
10	piulita m10	nut m10	ps1300ks-4-10
11	siguranta 3x30	pin 3x30	ps1300ks-4-11
12	ax	flange output axes	ps1300ks-4-12
13	surub m8x20	bolt m8x20	ps1300ks-4-13

Producător motoutilaje

Documentatie tehnică

14	brida prindere	flange fix sheath	ps1300ks-4-14
15	capac protectie	dust protect cover	ps1300ks-4-15
16	simering	oil seal	ps1300ks-4-16
17	oring 10.2x2.65	o-ring ϕ 10.2x2.65	ps1300ks-4-17
18	buson ulei m12x1.25x12	bolt m12x1.25x12	ps1300ks-4-18
19	surub m10x35	bolt m10x35	ps1300ks-4-19
20	rulment 6009	bearing 6009	ps1300ks-4-20
21	bucsa	cover, output axes	ps1300ks-4-21
22	bucsa ax	cover, flange axes	ps1300ks-4-22
23	coroana dintata	walking umbrella gear	ps1300ks-4-23
24	rulment 32009	bearing 32009	ps1300ks-4-24
25	garnitura	gasket	ps1300ks-4-25
26	capac	flange plate	ps1300ks-4-26
27	saiba 10	washer 10	ps1300ks-4-27
28	saiba grover 10	spring washer 10	ps1300ks-4-28
29	surub m10x35	bolt m10x35	ps1300ks-4-29

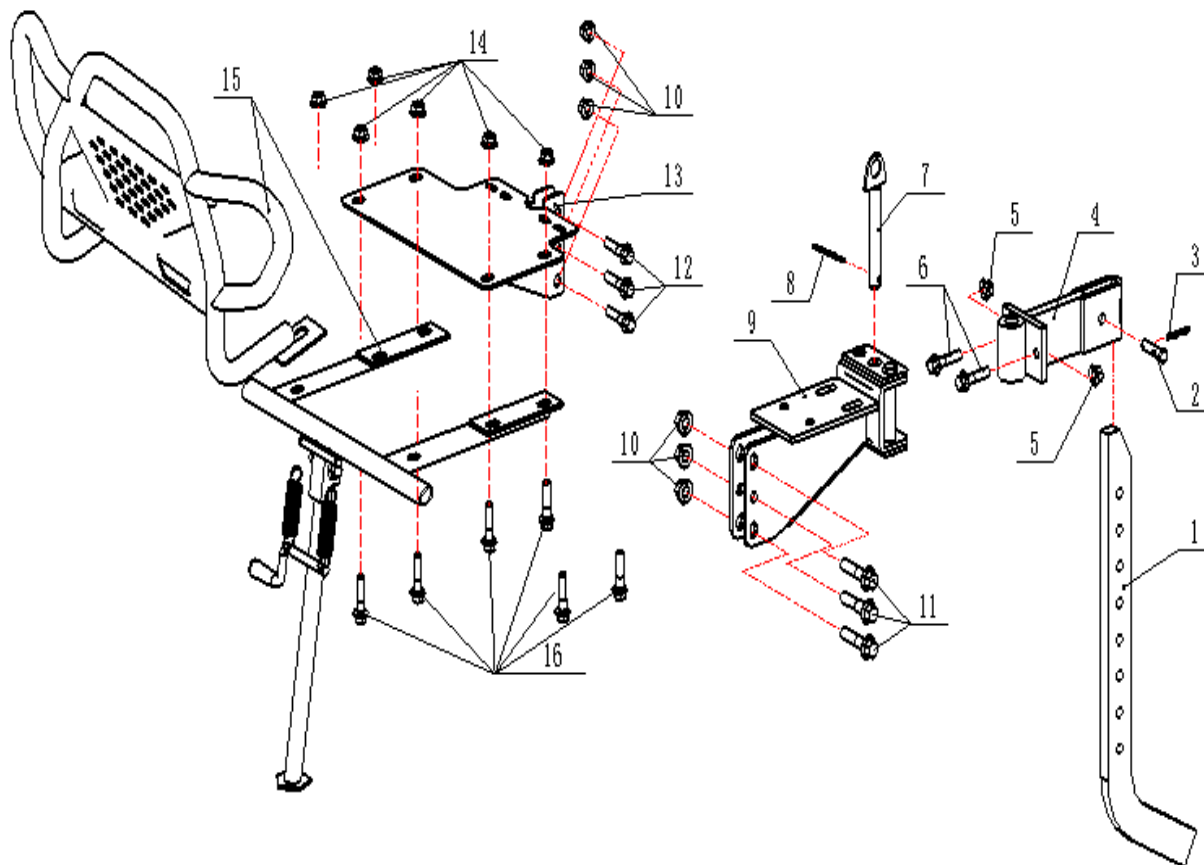


Nr.crt	Denumire produs	Product name	Cod comanda
1	coarne	handle	ps1300ks-5-1
2	saiba 16	washer 16	ps1300ks-5-2
3	saiba grover 16	spring washer 16	ps1300ks-5-3
4	maner strangere	high and low lock handle	ps1300ks-5-4
5	maner	grip	ps1300ks-5-5
6	piulita m5	nut m5	ps1300ks-5-6
7	colier	clip	ps1300ks-5-7
8	surub m5x30	bolt m5x30	ps1300ks-5-8
9	buton far	button light	ps1300ks-5-9
10	cablu ambreiaj	clutch cable	ps1300ks-5-10
11	siguranta 2x30	Pin 2x30	ps1300ks-5-11

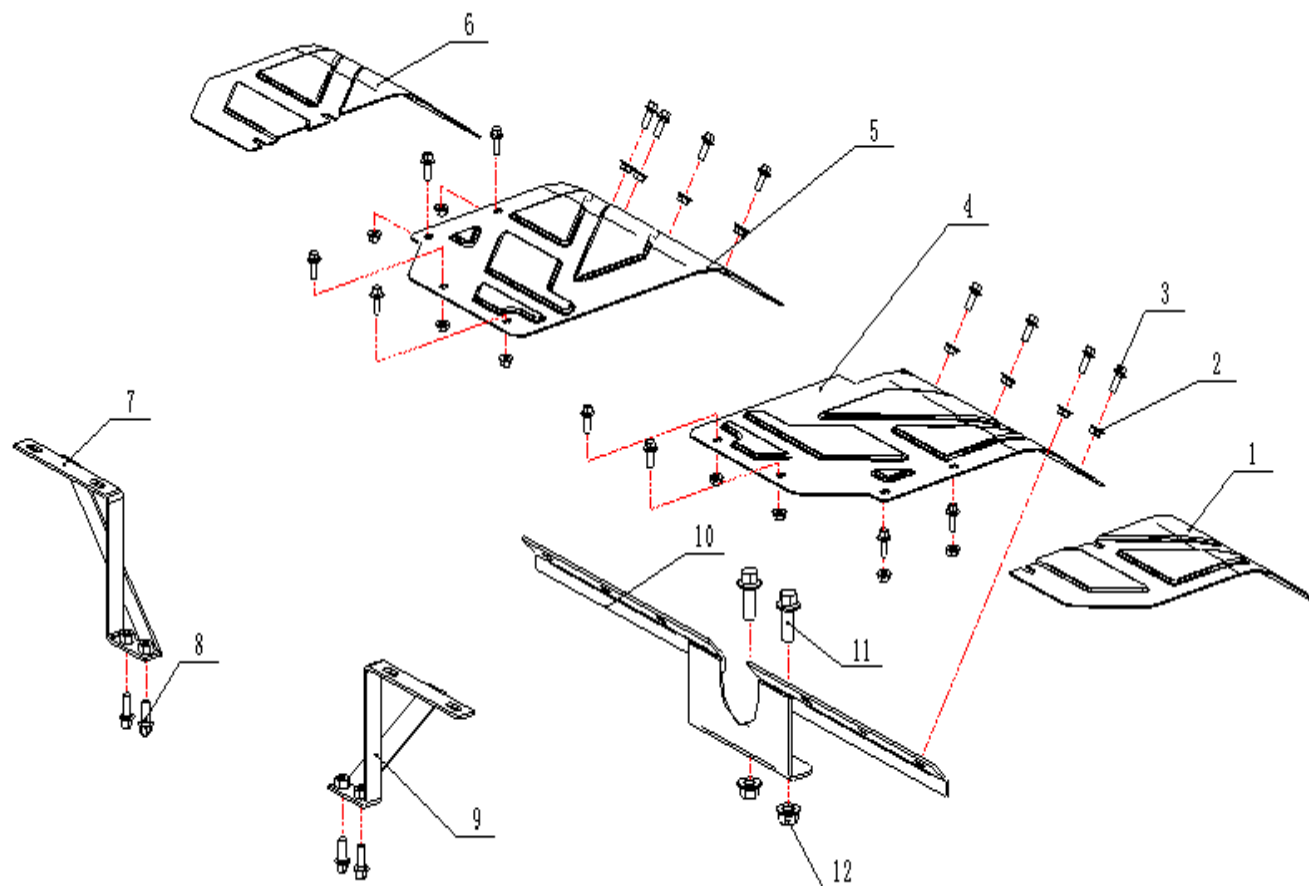
Producător motoutilaje

Documentatie tehnică

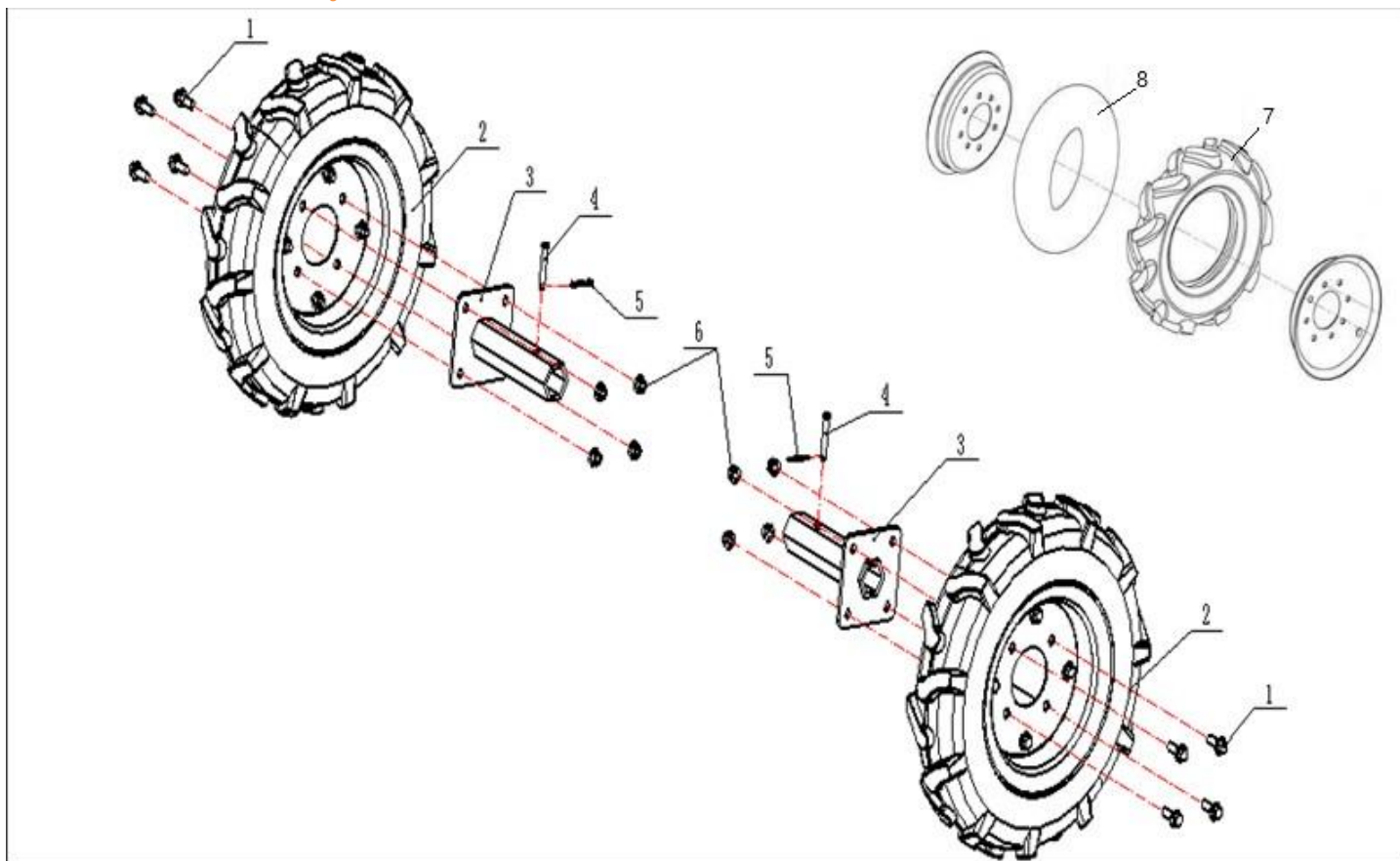
12	bolt	pin	ps1300ks-5-12
13	maneta ambreiaj	clutch lever	ps1300ks-5-13
14	bolt	pin	ps1300ks-5-14
15	siguranta	Pin	ps1300ks-5-15
16	maner	handle bar	ps1300ks-5-16
17	maneta motorstop	engine stop lever assembly	ps1300ks-5-17
18	blocator	reverse locker	ps1300ks-5-18
19	cablu marsarier	marsarier cable	ps1300ks-5-19
20	maneta acceleratie	acceleration lever	ps1300ks-5-20
21	cablu acceleratie	throttle cable	ps1300ks-5-21
22	ornament	ornament	ps1300ks-5-22
23	surub m6x20	Bolt M6×20	ps1300ks-5-23
24	saiba 10	washer 10	ps1300ks-5-24
25	maneta schimbator	lever	ps1300ks-5-25
26	maner	HANDLE GRIPS	ps1300ks-5-26
27	surub m8x12	Bolt M6×12	ps1300ks-5-27
28	cablu schimbator viteze a	gear shift cable a	ps1300ks-5-28
29	cablu schimbator viteze b	gear shift cable b	ps1300ks-5-29
35	surub m16x150	Bolt M16×150	ps1300ks-5-35
36	suport coarne	Handler support	ps1300ks-5-36
37	maner strangere	tightening handle	ps1300ks-5-37
38	surub m10x35	Bolt M10×35	ps1300ks-5-38
39	surub m8x16	Bolt M8×16	ps1300ks-5-39
40	capac	shift gear cover	ps1300ks-5-40
41	suport cablu schimbator	shift gear cable supportor	ps1300ks-5-41
42	scaun suport coarne	handle seat	ps1300ks-5-42
43	piulita m10	Nut M10	ps1300ks-5-43
44	surub m10x40	Bolt M10×40	ps1300ks-5-44



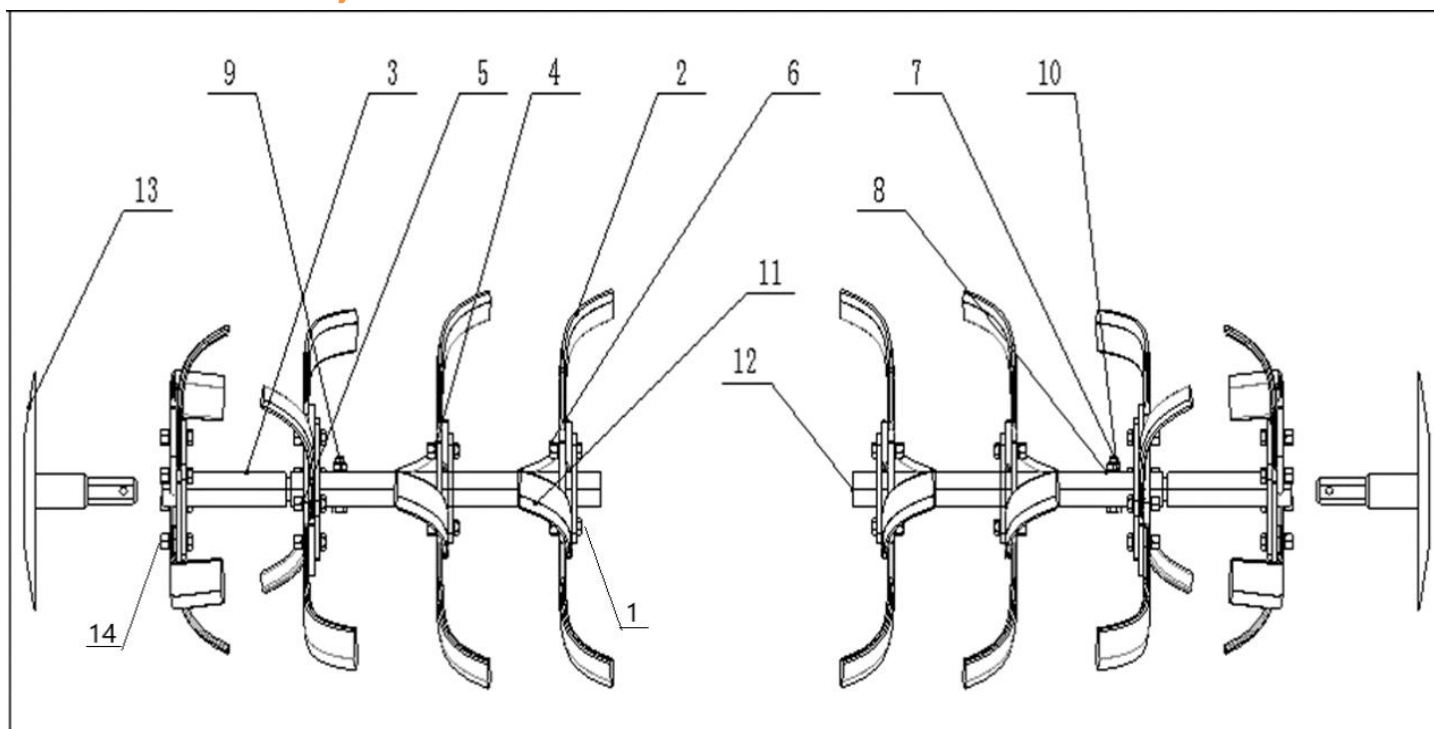
Nr.crt	Denumire produs	Product name	Cod comanda
1	picior sustinere	dragging assy	ps1300ks-6-1
2	bolt b10x50	pin b10x50	ps1300ks-6-2
3	siguranta 2.0	pin 2.0	ps1300ks-6-3
4	suport picior	connection frame assy	ps1300ks-6-4
5	piulita m10	nut m10	ps1300ks-6-5
6	surub m10x50	bolt m10x50	ps1300ks-6-6
7	bolt	pin	ps1300ks-6-7
8	siguranta	pin	ps1300ks-6-8
9	suport prindere	resistance rod	ps1300ks-6-9
10	piulita m10	nut m10	ps1300ks-6-10
11	surub m10x45	bolt m10x45	ps1300ks-6-11
12	surub m10x35	bolt m10x35	ps1300ks-6-12
13	suport motor	support frame, engine	ps1300ks-6-13
14	piulita m10	nut m10	ps1300ks-6-14
15	bara de protectie	bumper	ps1300ks-6-15
16	surub m10x40	bolt m10x40	ps1300ks-6-16



Nr.crt	Denumire produs	Product name	Cod comanda
1	prelungire aripa stanga	paddy fender left	ps1300ks-7-1
2	piulita m6	nut m6	ps1300ks-7-2
3	surub m6x16	bolt m6x16	ps1300ks-7-3
4	aripa stanga	fender left	ps1300ks-7-4
5	aripa dreapta	fender right	ps1300ks-7-5
6	prelungire aripa dreapta	paddy fender right	ps1300ks-7-6
7	suport aripa dreapta	frame fender right	ps1300ks-7-7
8	surub m8x20	bolt m8x20	ps1300ks-7-8
9	suport aripa stanga	frame fender left	ps1300ks-7-9
10	suport spate aripi	frame fender back	ps1300ks-7-10
11	surub m10x25	bolt m10x25	ps1300ks-7-11
12	piulita m10	nut m10	ps1300ks-7-12



Nr.crt	Denumire produs	Product name	Cod comanda
1	surub m10x25	bolt m10×25	ps1300ks-8-1
2	roata	rubber wheel	ps1300ks-8-2
3	manicot	hub	ps1300ks-8-3
4	bolt b8x50	pin b8×50	ps1300ks-8-4
5	siguranta 2.0	pin 2.0	ps1300ks-8-5
6	piulita n10	nut m10	ps1300ks-8-6
7	anelopa	outer rubber tyre	ps1300ks-8-7
8	camera	inner tube	ps1300ks-8-8



Nr.crt	Denumire produs	Product name	Cod comanda
1	surub m10x35	bolt m10x35	ps1300ks-9-1
2	cutit dreapta	blade(right)	ps1300ks-9-2
3	manicot	sub baldes shaft	ps1300ks-9-3
4	saiba 10	washer 10	ps1300ks-9-4
5	saiba grover 10	spring washer 10	ps1300ks-9-5
6	piulita m10	nut m10	ps1300ks-9-6
7	surub m8x55	bolt m8x55	ps1300ks-9-7
8	saiba 8	washer 8	ps1300ks-9-8
9	saiba 8	spring washer 8	ps1300ks-9-9
10	piulita m8	nut m8	ps1300ks-9-10
11	cutit stanga	blade (left)	ps1300ks-9-11
12	manicot	main baldes shaft	ps1300ks-9-12
13	disc	disc	ps1300ks-9-13
14	piulita m10	nut m10	ps1300ks-9-14