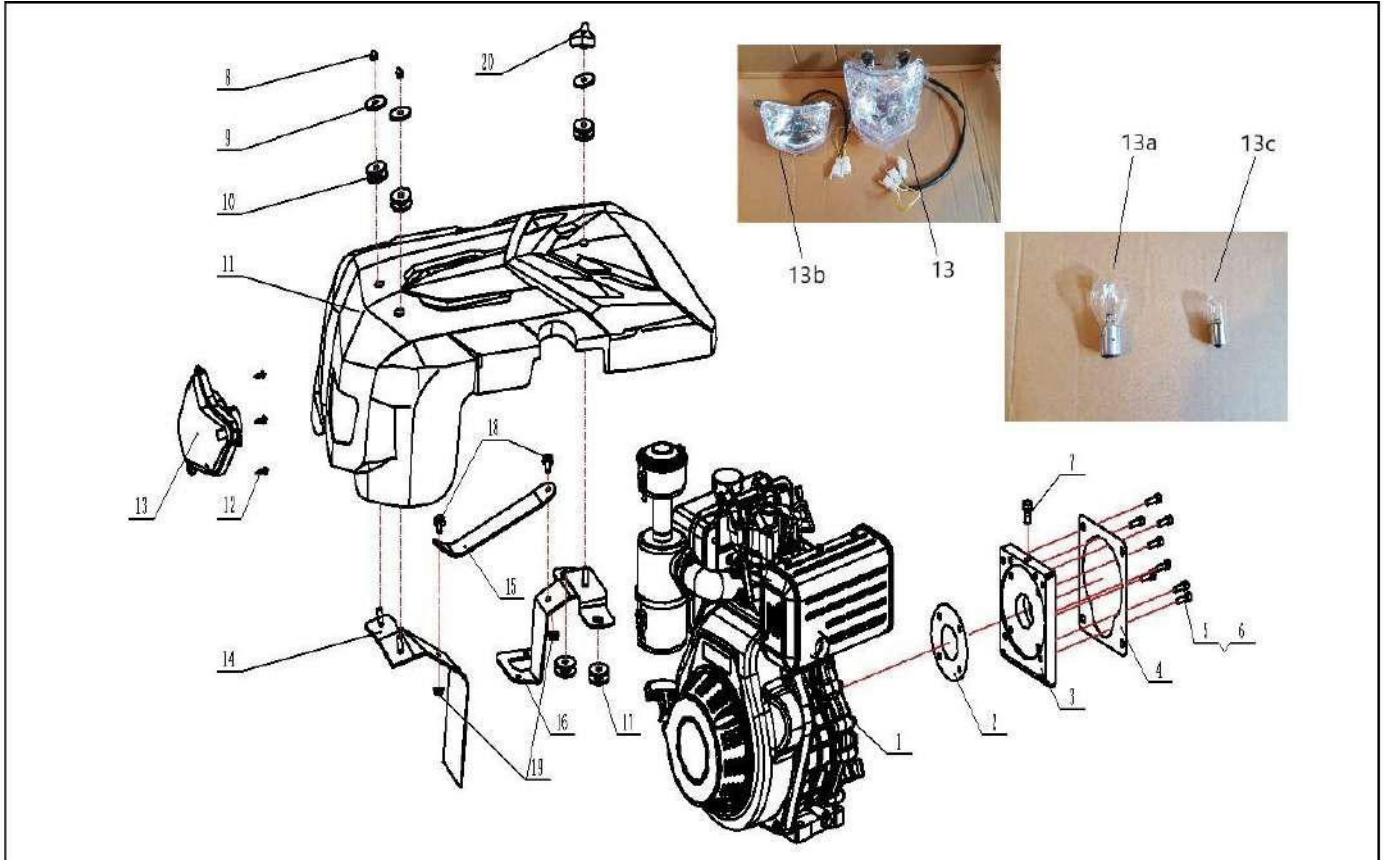


Documentatie tehnica motocultor 1001ksd

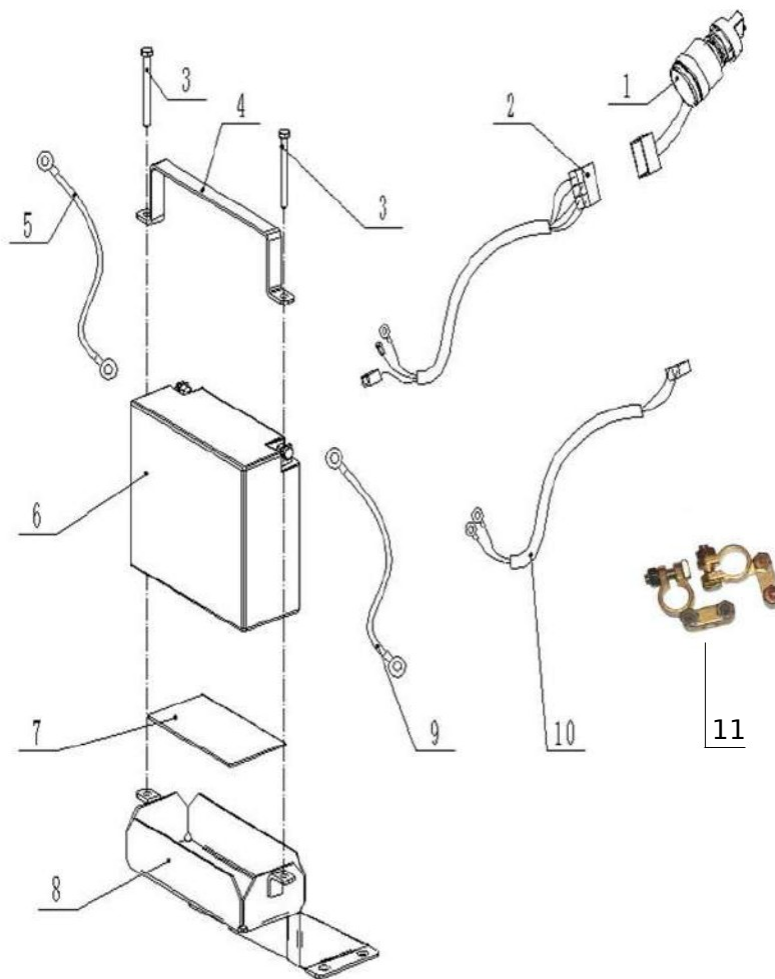


Nr.crt	Denumire produs	Product name	Cod comanda
1	motor	engine assy	ps1001ksd-1-1
2	garnitura 0.5mm	gasket 0.5mm	ps1001ksd-1-2
3	flansa	flange plate	ps1001ksd-1-3
4	garnitura 0.2mm	gasket 0.2mm	ps1001ksd-1-4
5	saiba grover	spring washer 8	ps1001ksd-1-5
6	surub m8x25	bolt M8X25	ps1001ksd-1-6
7	surub m12x12.5	bolt M12*12.5	ps1001ksd-1-7
8	piulita m8	nut m8	ps1001ksd-1-8
9	saiba 8	washer 8	ps1001ksd-1-9
10	manson	sleeve	ps1001ksd-1-10
11	capota motor 2019	engine cover 2019	ps1001ksd-1-11
11a	capota motor	engine cover	ps1001ksd-1-11a
12	surub	screw	ps1001ksd-1-12
13	far	lamp assy	ps1001ksd-1-13

Producător motoutilaje

Documentatie tehnică

13a	bec far	light bulb	ps1001ksd-1-13a
13b	far 2019	lamp assy 2019	ps1001ksd-1-13b
13c	bec far 2019	light bulb 2019	ps1001ksd-1-13c
14	suport superior capota	supportor for engine cover (front)	ps1001ksd-1-14
15	brida	bridle	ps1001ksd-1-15
16	suport inferior capota	supportor for engine cover (back)	ps1001ksd-1-16
17	manson	sleeve	ps1001ksd-1-17
18	surub m8x20	screw m8x20	ps1001ksd-1-18
19	piulita m8	nut m8	ps1001ksd-1-19
20	piulita rozeta	nut	ps1001ksd-1-20

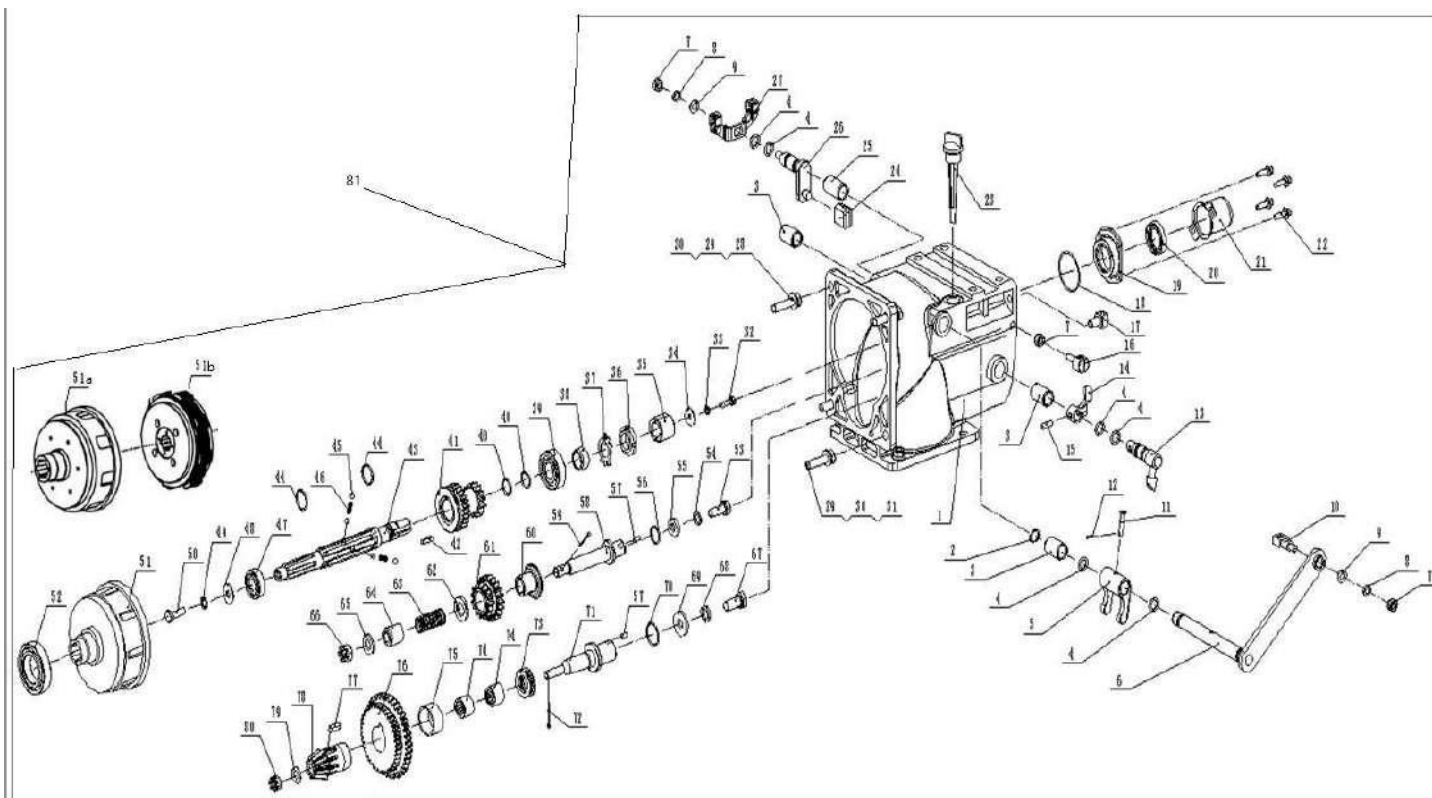


Nr.crt	Denumire produs	Product name	Cod comanda
1	contact	switch	17017104
2	cablu alimentare	power cord a	ps1001ksd-2-2
3	surub	bolt	ps1001ksd-2-3

Producător motoutilaje

Documentatie tehnică

4	suport baterie	battery supportor	ps1001ksd-2-4
5	cablaj borna -	terminal wiring b	ps1001ksd-2-5
6	baterie	battery	ps1001ksd-2-6
7	manson	damping pad	ps1001ksd-2-7
8	suport baterie	battery box	ps1001ksd-2-8
9	cablaj borna +	terminal wiring c	ps1001ksd-2-9
10	cablu alimentare far	headlight power cord	ps1001ksd-2-10
11	ansamblu borne	power cord assy	ps1001ksd-2-11



Nr.crt	Denumire produs	Product name	Cod comanda
1	carcasa cutie de viteze	speed gear box body	ps1001ksd-3-1
2	inel 16	ring 16	ps1001ksd-3-2
3	bucsa	bush reversing shaft	ps1001ksd-3-3
4	oring 11.2x2.65	o-ring $\phi 11.2 \times 2.65$	ps1001ksd-3-4
5	furca	clutch fork	ps1001ksd-3-5
6	ax furca	clutch fork shaft	ps1001ksd-3-6
7	piulita m8	nut m8	ps1001ksd-3-7
8	saiba grover	spring washer	ps1001ksd-3-8

Producător motoutilaje

Documentatie tehnică

9	saiba	washer	ps1001ksd-3-9
10	scaun cablu ambreiaj	seat, clutch cable	ps1001ksd-3-10
11	bolt 6x28	pin 6*28	ps1001ksd-3-11
12	siguranta 1.6x16	pin 1.6x16	ps1001ksd-3-12
13	ax furca marsarier	reverse gear fork shaft	ps1001ksd-3-13
14	furca marsarier	reverse gear fork	ps1001ksd-3-14
15	bolt 6x20	pin 6x20	ps1001ksd-3-15
16	scaun caclu marsarier	seat, reverse gear cable	ps1001ksd-3-16
17	scaun cablu ambreiaj	seat, clutch cable	ps1001ksd-3-17
18	oring 45x1.8	o-ring φ45x1.8	ps1001ksd-3-18
19	capac	pushing panel	ps1001ksd-3-19
20	simering b25x40x7	oil seal B25x40x7	ps1001ksd-3-20
21	capac protectie	protec cover, principal axes	ps1001ksd-3-21
22	surub m6x20	bolt m6x20	ps1001ksd-3-22
23	joja	oil stick	ps1001ksd-3-23
24	brat furca	shifting gear fork	ps1001ksd-3-24
25	bucsa	bush shift shaft	ps1001ksd-3-25
26	furca de cuplare	shift fork shaft	ps1001ksd-3-26
27	maneta	shift arm	ps1001ksd-3-27
28	surub m10x35	bolt m10x35	ps1001ksd-3-28
29	saiba grover 10	spring washer 10	ps1001ksd-3-29
30	saiba 10	washer 10	ps1001ksd-3-30
31	surub m10x40	bolt m10x40	ps1001ksd-3-31
32	surub m6x20	bolt m6x20	ps1001ksd-3-32
33	saiba grover 10	spring washer 10	ps1001ksd-3-33
34	saiba 6	washer 6	ps1001ksd-3-34
35	bucsa	sheath, key	ps1001ksd-3-35
36	piulita m20x1.5	nut m20x1.5	ps1001ksd-3-36
37	saiba 20	washer 20	ps1001ksd-3-37
38	bucsa	sheath, main shaft	ps1001ksd-3-38
39	rulment 6204	bearing 6204	ps1001ksd-3-39
40	oring 17x2	o-ring φ17x2	ps1001ksd-3-40
41	pinion {23 dinti}	shift gear{23 dinti}	ps1001ksd-3-41
41a	pinion{21dinti}	shift gear{21 dinti}	ps1001ksd-3-41a
41b	pinion {25dinti}	shift gear{25 dinti}	ps1001ksd-3-41b
41c	pinion{29dinti}	shift gear{29 dinti}	ps1001ksd-3-41c
41d	pinion{27dinti}	shift gear{27 dinti}	ps1001ksd-3-41d
42	pana a5x5x20	key a5x5x20	ps1001ksd-3-42
43	ax	main shaft	ps1001ksd-3-43
44	inel 25x2	ring 25x2	ps1001ksd-3-44
45	bila de otel 6.35	steel ball s φ6.35	ps1001ksd-3-45

Producător motoutilaje

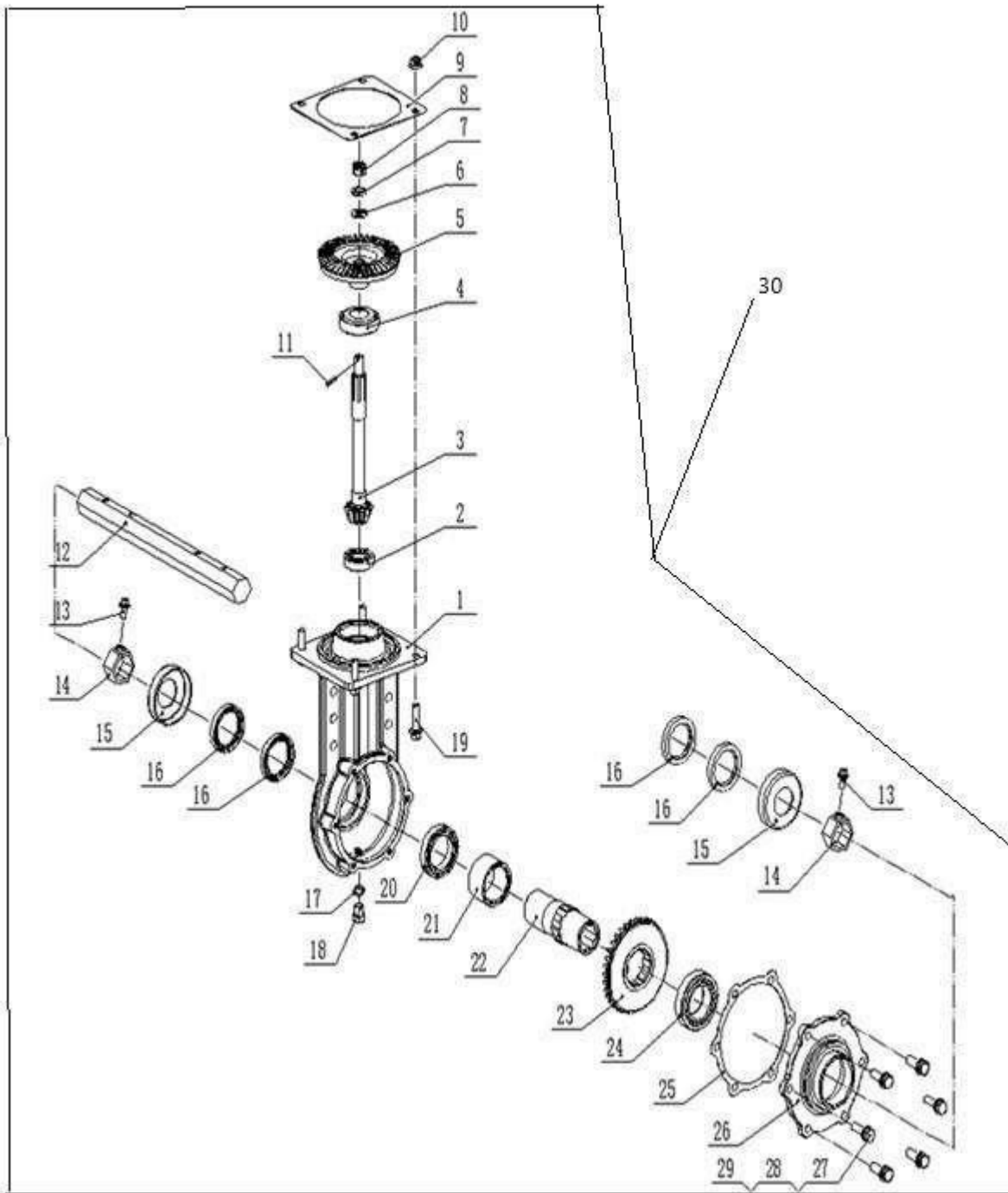
Documentatie tehnică

46	inel 6x1.0.17	ring $\phi 6 \times 1.0 \times 17$	ps1001ksd-3-46
47	rulment 6202	bearing 6202	ps1001ksd-3-47
48	saiba 8	washer 8	ps1001ksd-3-48
49	saiba grover 8	spring washer	ps1001ksd-3-49
50	surub m8x20	bolt m8x20	ps1001ksd-3-50
51	ansamblu ambreiaj	clutch assy	ps1001ksd-3-51
51a	oala ambreiaj	clutch cover	ps1001ksd-3-51a
51b	ambreiaj	clutch core	ps1001ksd-3-51b
52	rulment 6007	bearing 6007	ps1001ksd-3-52
53	surub m10x25	bolt m10x25	ps1001ksd-3-53
54	saiba grover 10	spring washer 10	ps1001ksd-3-54
55	saiba 10.5x22x4	washer $\phi 10.5 \times \phi 22 \times 4$	ps1001ksd-3-55
56	oring 18x1.8	o-ring $\phi 18 \times 1.8$	ps1001ksd-3-56
57	pana a5x10	pin a5x10	ps1001ksd-3-57
58	ax marsarier	reverse shaft	ps1001ksd-3-58
59	siguranta 3x30	pin 3x30	ps1001ksd-3-59
60	bucsa ghidaj	pushing plate, reverse gear	ps1001ksd-3-60
61	pinion marsarier	reverse gear	ps1001ksd-3-61
62	saiba retinere	spring seat	ps1001ksd-3-62
63	arc	spring for reverse	ps1001ksd-3-63
64	bucsa	restrict cover, reverse gear	ps1001ksd-3-64
65	saiba 12	washer 12	ps1001ksd-3-65
66	piulita m12	nut m12	ps1001ksd-3-66
67	surub m12x1.25x25	bolt m12x1.25x25	ps1001ksd-3-67
68	saiba grover	spring washer 12	ps1001ksd-3-68
69	saiba 13x27x4	washer $\phi 13 \times \phi 27 \times 4$	ps1001ksd-3-69
70	oring 25x1.8	o-ring $\phi 25 \times 1.8$	ps1001ksd-3-70
71	ax	subshaft	ps1001ksd-3-71
72	siguranta 2.5x30	pin 2.5x30	ps1001ksd-3-72
73	rulment 51104	bearing 51104	ps1001ksd-3-73
74	rulment k18x24x20	bearing k18x24x20	ps1001ksd-3-74
75	bucsa	bush	ps1001ksd-3-75
76	pinion dublu{42-23}	double gear	ps1001ksd-3-76
76a	pinion dublu{44-21}	double gear	ps1001ksd-3-76a
76b	pinion dublu{40-25}	double gear	ps1001ksd-3-76b
76c	pinion dublu{38-27}	double gear	ps1001ksd-3-76c
76d	pinion dublu{36-29}	double gear	ps1001ksd-3-76d
77	pana a6x6x20	key a6x6x20	ps1001ksd-3-77
78	ax (9 dinti)	iniative umbrella gear	ps1001ksd-3-78
78a	ax (10 dinti)	iniative umbrella gear	ps1001ksd-3-78a

Producător motoutilaje

Documentatie tehnică

79	saiba 10x18x0.5	washer $\varphi 10 \times \varphi 18 \times 0.5$	ps1001ksd-3-79
80	piulita m10	nut m10	ps1001ksd-3-80
81	ansamblu cutie de viteze	gearbox assy.	ps1001ksd-3-81

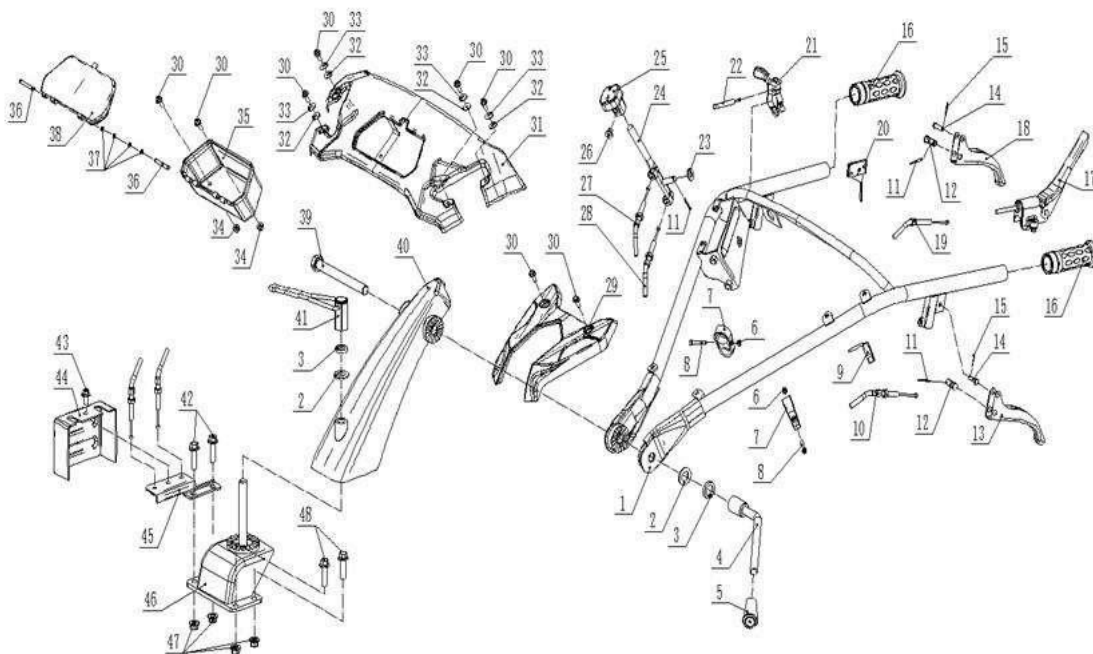


Nr.crt	Denumire produs	Product name	Cod comanda
1	carcasa reductor	transmission box body	ps1001ksd-4-1
2	rulment 30204	Bearing 30204	ps1001ksd-4-2
3	ax central 8 dinti	shaft umbrella gear	ps1001ksd-4-3
3a	ax central 10 dinti	shaft umbrella gear	ps1001ksd-4-3a
4	rulment 32006	bearing32006	ps1001ksd-4-4

Producător motoutilaje

Documentatie tehnică

5	coroana dintata(41 dinti)	driven umbrella gear	ps1001ksd-4-5
5a	coroana dintata(43 dinti)	driven umbrella gear	ps1001ksd-4-5a
6	saiba 12	washer 12	ps1001ksd-4-6
7	saiba grovere 12	spring washer 12	ps1001ksd-4-7
8	piulita m12	nut m12	ps1001ksd-4-8
9	garnitura	gasket	ps1001ksd-4-9
10	piulita m10	nut m10	ps1001ksd-4-10
11	siguranta 3x30	pin 3x30	ps1001ksd-4-11
12	ax	flange output axes	ps1001ksd-4-12
13	surub m8x20	bolt m8x20	ps1001ksd-4-13
14	brida prindere	flange fix sheath	ps1001ksd-4-14
15	capac protectie	dust protect cover	ps1001ksd-4-15
16	simering	oil seal	ps1001ksd-4-16
17	oring 10.2x2.65	o-ring ϕ 10.2x2.65	ps1001ksd-4-17
18	buson ulei m12x1.25x12	bolt m12x1.25x12	ps1001ksd-4-18
19	surub m10x35	bolt m10x35	ps1001ksd-4-19
20	rulment 6009	bearing 6009	ps1001ksd-4-20
21	bucsa	cover, output axes	ps1001ksd-4-21
22	bucsa ax	cover, flange axes	ps1001ksd-4-22
23	coroana dintata(35 dinti)	walking umbrella gear	ps1001ksd-4-23
23a	coroana dintata(36 dinti)	walking umbrella gear	ps1001ksd-4-23a
24	rulment 32009	bearing 32009	ps1001ksd-4-24
25	garnitura	gasket	ps1001ksd-4-25
26	capac	flange plate	ps1001ksd-4-26
27	saiba 10	washer 10	ps1001ksd-4-27
28	saiba grover 10	spring washer 10	ps1001ksd-4-28
29	surub m10x35	bolt m10x35	ps1001ksd-4-29
30	ansamblu reductor	transmission box assy	ps1001ksd-4-30

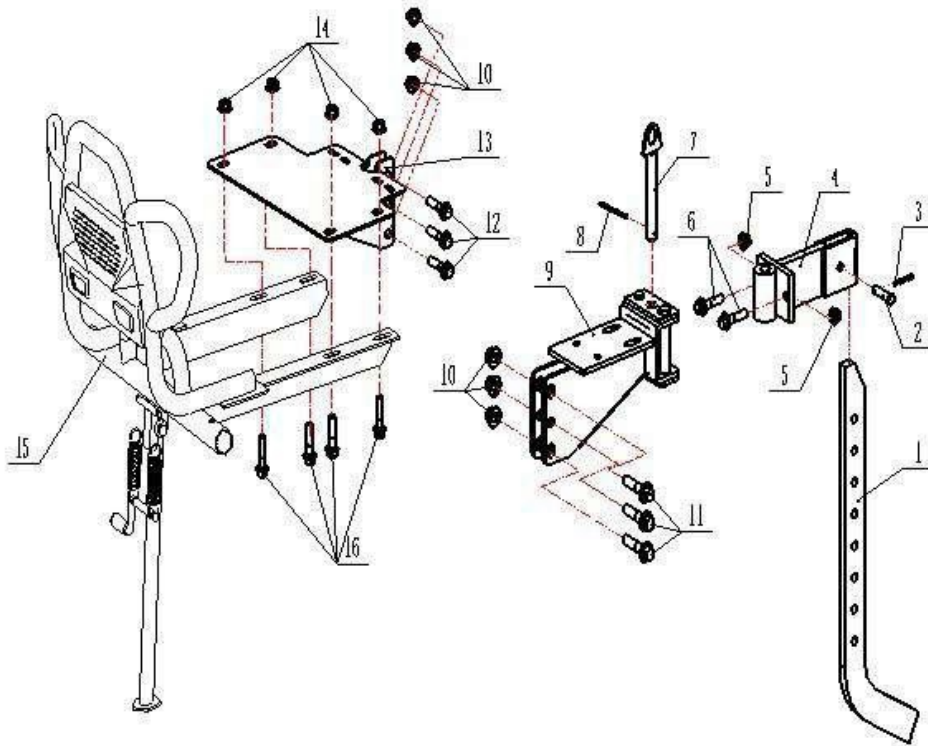


Nr.crt	Denumire produs	Product name	Cod comanda
1	coarne	handle frame comp	ps1001ksd-5-1
2	saiba 16	washer 16	ps1001ksd-5-2
3	saiba grover 16	spring washer 16	ps1001ksd-5-3
4	maner strangere	height adjusting rod	ps1001ksd-5-4
5	maner	grip	ps1001ksd-5-5
6	piulita m5	nut m5	ps1001ksd-5-6
7	colier	wire nail	ps1001ksd-5-7
8	surub m5x30	bolt m5x30	ps1001ksd-5-8
9	buton far	button light	ps1001ksd-5-9
10	cablu ambreiaj	clutch cable	ps1001ksd-5-10
11	siguranta 2x30	pin 2x30	ps1001ksd-5-11
12	conexiune	splice	ps1001ksd-5-12
13	maneta ambreiaj	clutch handle	ps1001ksd-5-13
14	bolt b6x22	pin b6x22	ps1001ksd-5-14
15	siguranta 1.6x16	pin 1.6x16	ps1001ksd-5-15
16	maner	handle bar	ps1001ksd-5-16
17	maneta motorstop	stop handle	ps1001ksd-5-17
17a	cablu maneta motor stop	cable engine stop	ps1001ksd-5-17a
18	maneta marsarier	reverse handle	ps1001ksd-5-18
19	cablu marsarier	reverse gear cable	ps1001ksd-5-19
20	blocator	reverse lock	ps1001ksd-5-20

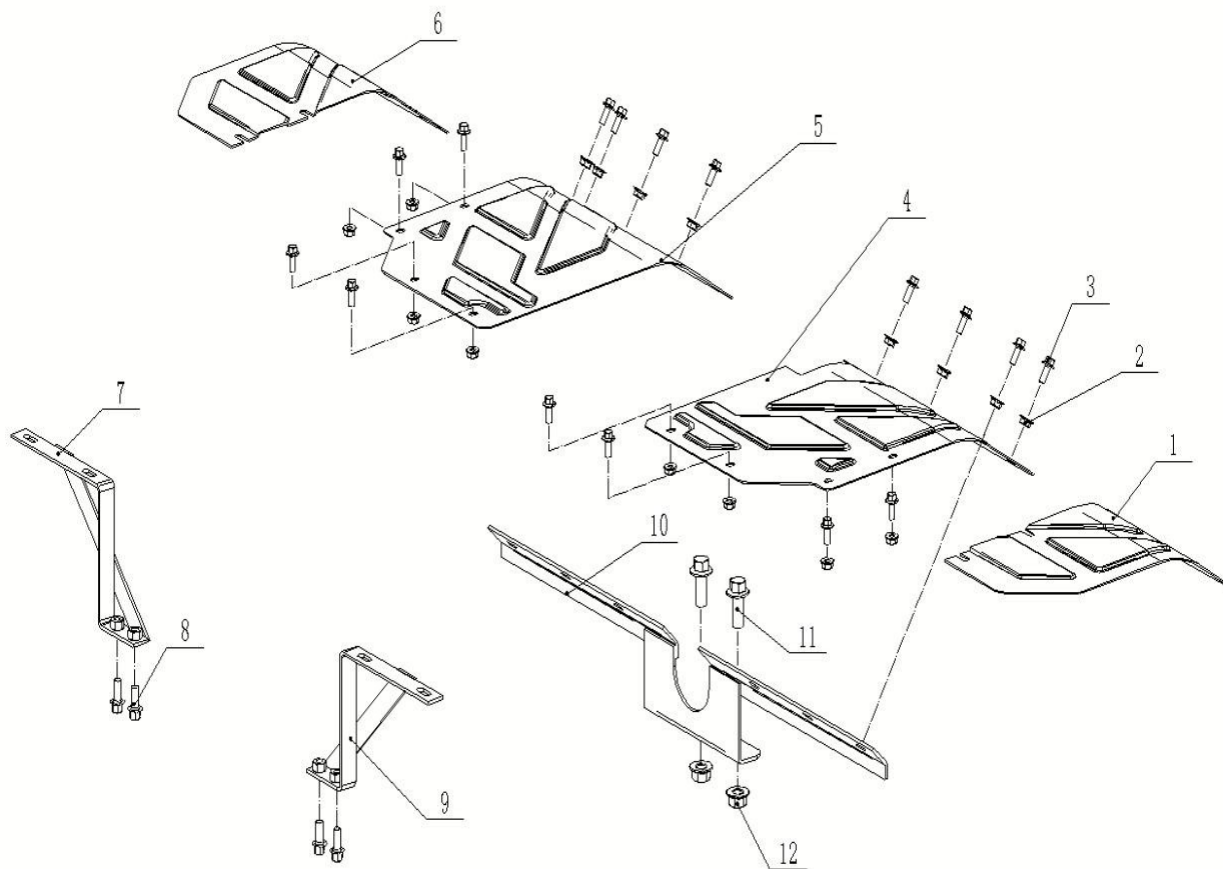
Producător motoutilaje

Documentatie tehnică

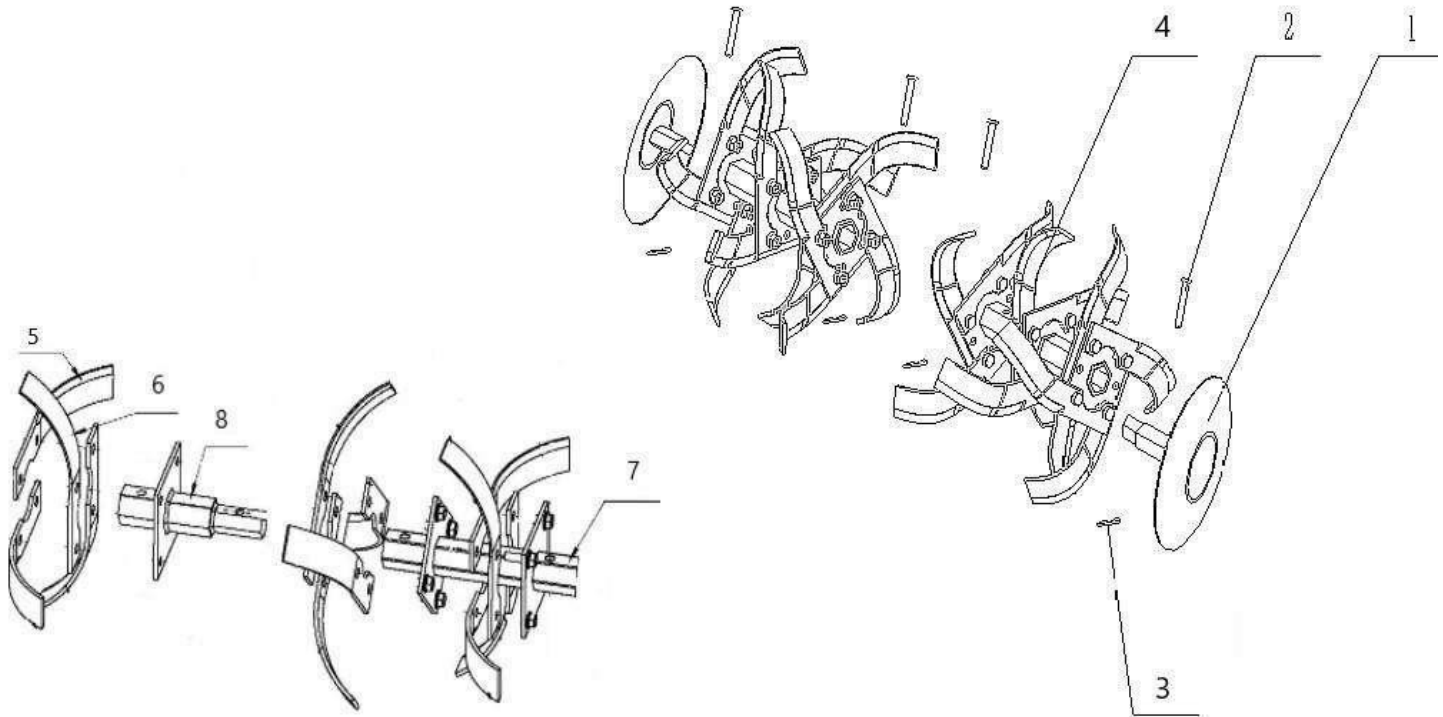
21	maneta acceleratie	throttle shift assy	ps1001ksd-5-21
22	cablu acceleratie	throttle cable	ps1001ksd-5-22
23	saiba 10	washer 10	ps1001ksd-5-23
24	maneta schimbator	shift lever	ps1001ksd-5-24
25	maner	grip	ps1001ksd-5-25
26	surub m6x12	bolt m6x12	ps1001ksd-5-26
27	cablu schimbator viteze 0004	shift gear cable (0004)	ps1001ksd-5-27
28	cablu schimbator viteze 0006	shift gear cable (0006)	ps1001ksd-5-28
29	ornament	handle decorative	ps1001ksd-5-29
30	surub m6x20	bolt m6x20	ps1001ksd-5-30
31	ornament	handle decorative	ps1001ksd-5-31
32	manson	sleeve	ps1001ksd-5-32
33	saiba 6	washer 6	ps1001ksd-5-33
34	piulita m6	nut m6	ps1001ksd-5-34
35	cutie scule	tool box	ps1001ksd-5-35
39	surub m16x150	bolt m16x150	ps1001ksd-5-39
40	suport coarne	handle arm	ps1001ksd-5-40
41	maner strangere	t type bar for locking	ps1001ksd-5-41
42	surub m10x35	bolt m10x35	ps1001ksd-5-42
43	surub m8x16	bolt m8x16	ps1001ksd-5-43
44	capac	plastic cover for shifting	ps1001ksd-5-44
45	suport cablu schimbator	supporter for shift gear cable	ps1001ksd-5-45
46	scaun suport coarne	handle seat comp	ps1001ksd-5-46
47	piulita m10	nut m10	ps1001ksd-5-47
48	surub m10x40	bolt m10x40	ps1001ksd-5-48



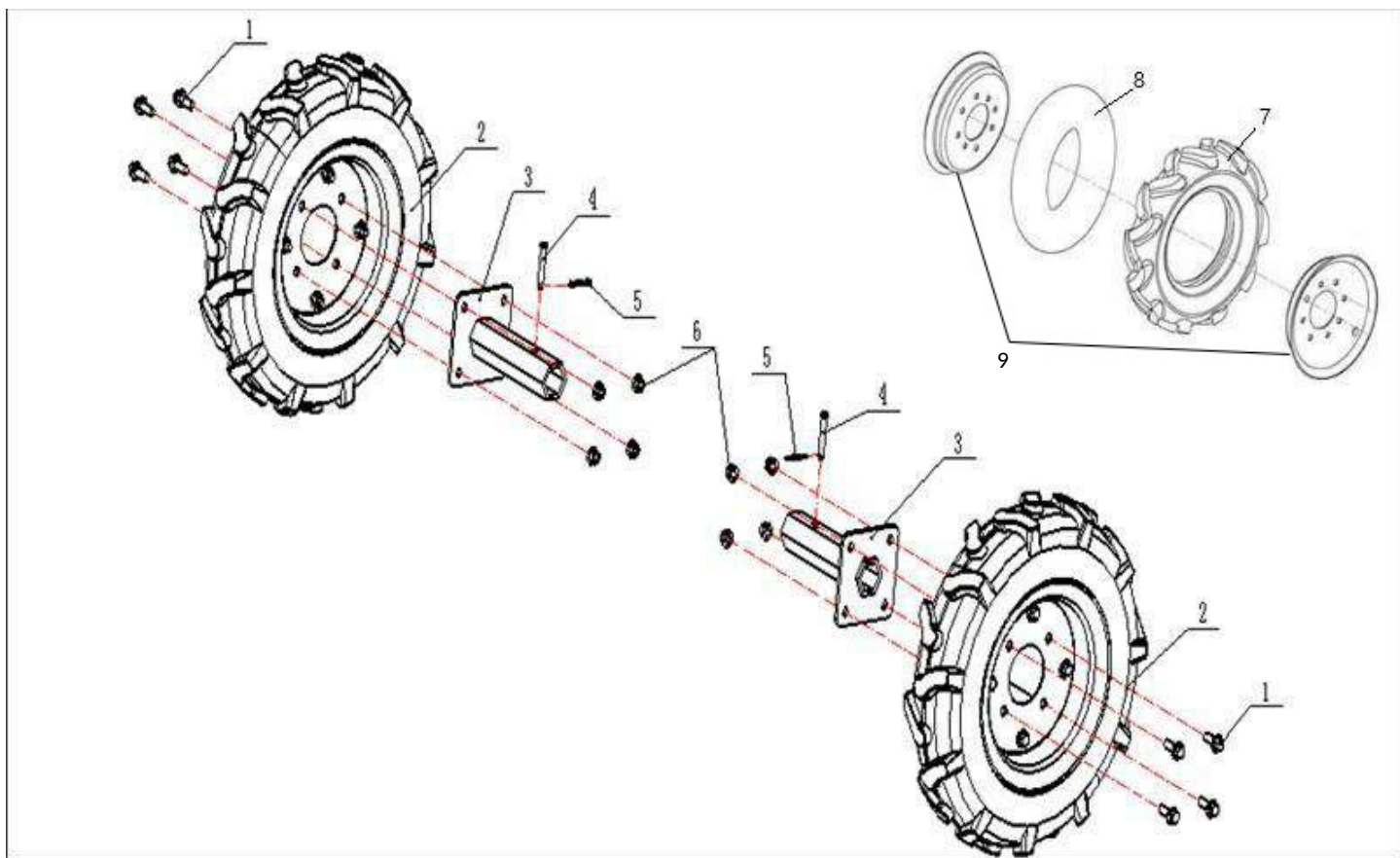
Nr.crt	Denumire produs	Product name	Cod comanda
1	picior sustinere	dragging assy	ps1001ksd-6-1
2	bolt b10x50	pin b10x50	ps1001ksd-6-2
3	siguranta 2.0	pin 2.0	ps1001ksd-6-3
4	suport picior	connection frame assy	ps1001ksd-6-4
5	piulita m10	nut m10	ps1001ksd-6-5
6	surub m10x50	bolt m10x50	ps1001ksd-6-6
7	bolt	pin	ps1001ksd-6-7
8	siguranta 3.0	pin 3.0	ps1001ksd-6-8
9	suport prindere	resistance rod	ps1001ksd-6-9
10	piulita m10	nut m10	ps1001ksd-6-10
11	surub m10x45	bolt m10x45	ps1001ksd-6-11
12	surub m10x35	bolt m10x35	ps1001ksd-6-12
13	suport motor	support frame, engine	ps1001ksd-6-13
14	piulita m8	nut m8	ps1001ksd-6-14
15	bara de protectie	bumper	ps1001ksd-6-15
16	surub m8x40	bolt m8x40	ps1001ksd-6-16



Nr.crt	Denumire produs	Product name	Cod comanda
1	prelungire aripa stanga	paddy fender left	ps1001ksd-7-1
2	piulita m6	nut m6	ps1001ksd-7-2
3	surub m6x16	bolt m6x16	ps1001ksd-7-3
4	aripa stanga	fender left	ps1001ksd-7-4
5	aripa dreapta	fender right	ps1001ksd-7-5
6	prelungire aripa dreapta	paddy fender right	ps1001ksd-7-6
7	suport aripa dreapta	frame fender right	ps1001ksd-7-7
8	surub m8x20	bolt m8x20	ps1001ksd-7-8
9	suport aripa stanga	frame fender left	ps1001ksd-7-9
10	suport spate aripi	frame fender back	ps1001ksd-7-10
11	surub m10x25	bolt m10x25	ps1001ksd-7-11
12	piulita m10	nut m10	ps1001ksd-7-12



Nr.crt	Denumire produs	Product name	Cod comanda
1	taler	discs assy	ps1001ksd-8-1
2	bolt b8x50	pin b8x50	ps1001ksd-8-2
3	siguranta	pin	ps1001ksd-8-3
4	freze	blades assy	ps1001ksd-8-4
5	cutit stanga	left blade	ps1001ksd-8-5
6	cutit dreapta	right blade	ps1001ksd-8-6
7	manicot(2 grupe)	blade hubs (2 groups)	ps1001ksd-8-7
8	manicot(1 grupa)	blade hubs (1 groups)	ps1001ksd-8-8



Nr.crt	Denumire produs	Product name	Cod comanda
1	surub m10x25	bolt m10x25	ps1001ksd-9-1
2	roata	rubber wheel	ps1001ksd-9-2
3	manicot	hubs	ps1001ksd-9-3
4	bolt b8x50	pin b8x50	ps1001ksd-9-4
5	siguranta 2.0	pin 2.0	ps1001ksd-9-5
6	piulita m10	nut m10	ps1001ksd-9-6
7	anvelopa 500-12	500-12 tire	ps1001ksd-9-7
8	camera 500-12	inner tube 500-12	ps1001ksd-9-8
9	janta 500-12	rim 500-12	ps1001ksd-9-9



Nr.crt	Denumire produs	Product name	Cod comanda
1	capota 109/209	engine hood 109/209	ps109-1-1
2	suport capota 1	support 1	ps109-1-2
3	suport capota 2	support 2	ps109-1-3
4	ansamblu far	headlamp assembly	ps109-1-4



Nr.crt	Denumire produs	Product name	Cod comanda
1	Ansamblu far	Lamp assy	ps109.2021-1-1
2	Suport	Support	ps109.2021-1-2
3	Suport	Support	ps109.2021-1-3
4	Suport	Support	ps109.2021-1-4
5	capota 109 model 2021	engine hood 109 model 2021	ps109.2021-1-5
6	capota 209 model 2021	engine hood 209 model 2021	ps209.2021-1-6
7	Piulita fluture	Nut	ps109.2021-1-7
8	Garnitura	Washer	ps109.2021-1-8
9	Cablu on/off far	On/off lamp cable	ps109.2021-1-9