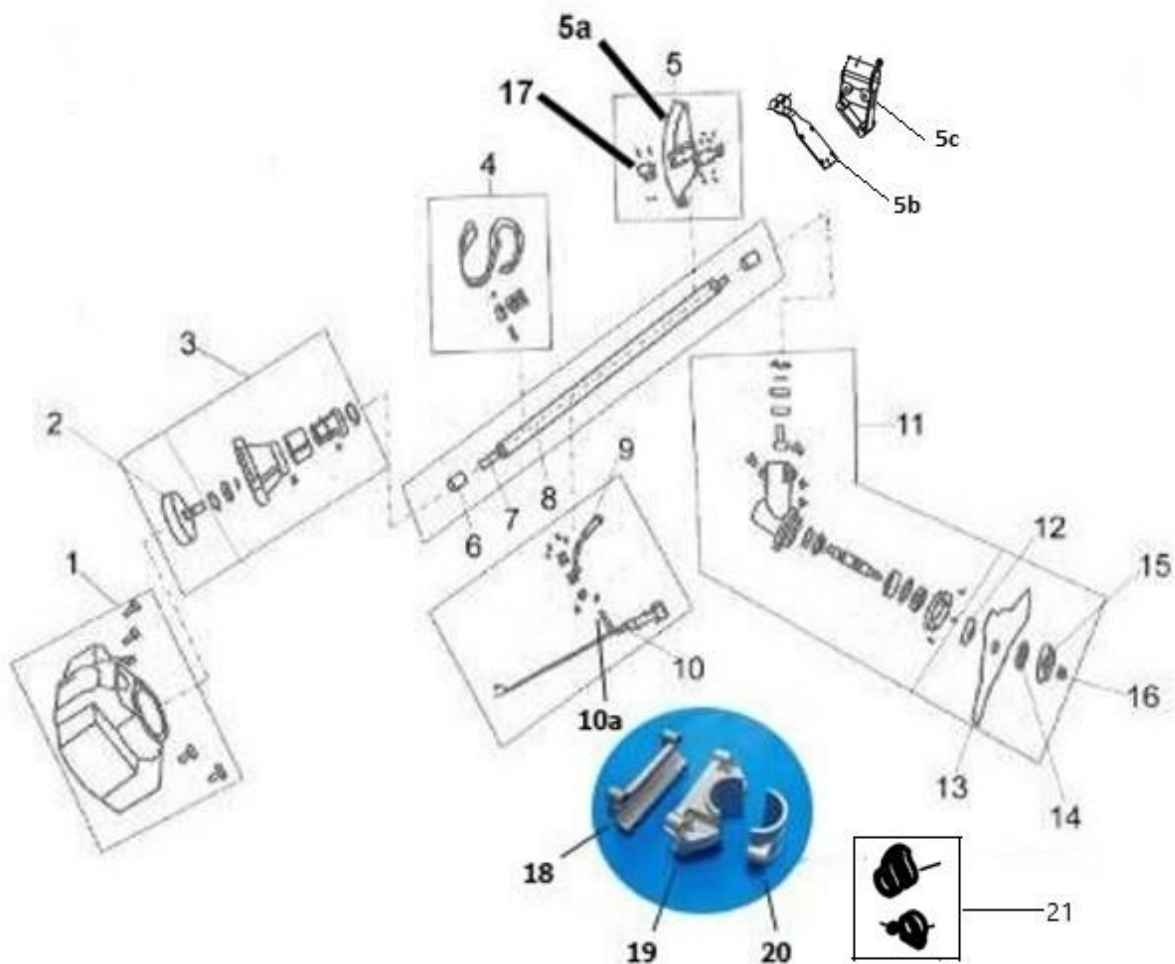


Documentatie tehnica motocoasa DAC 410

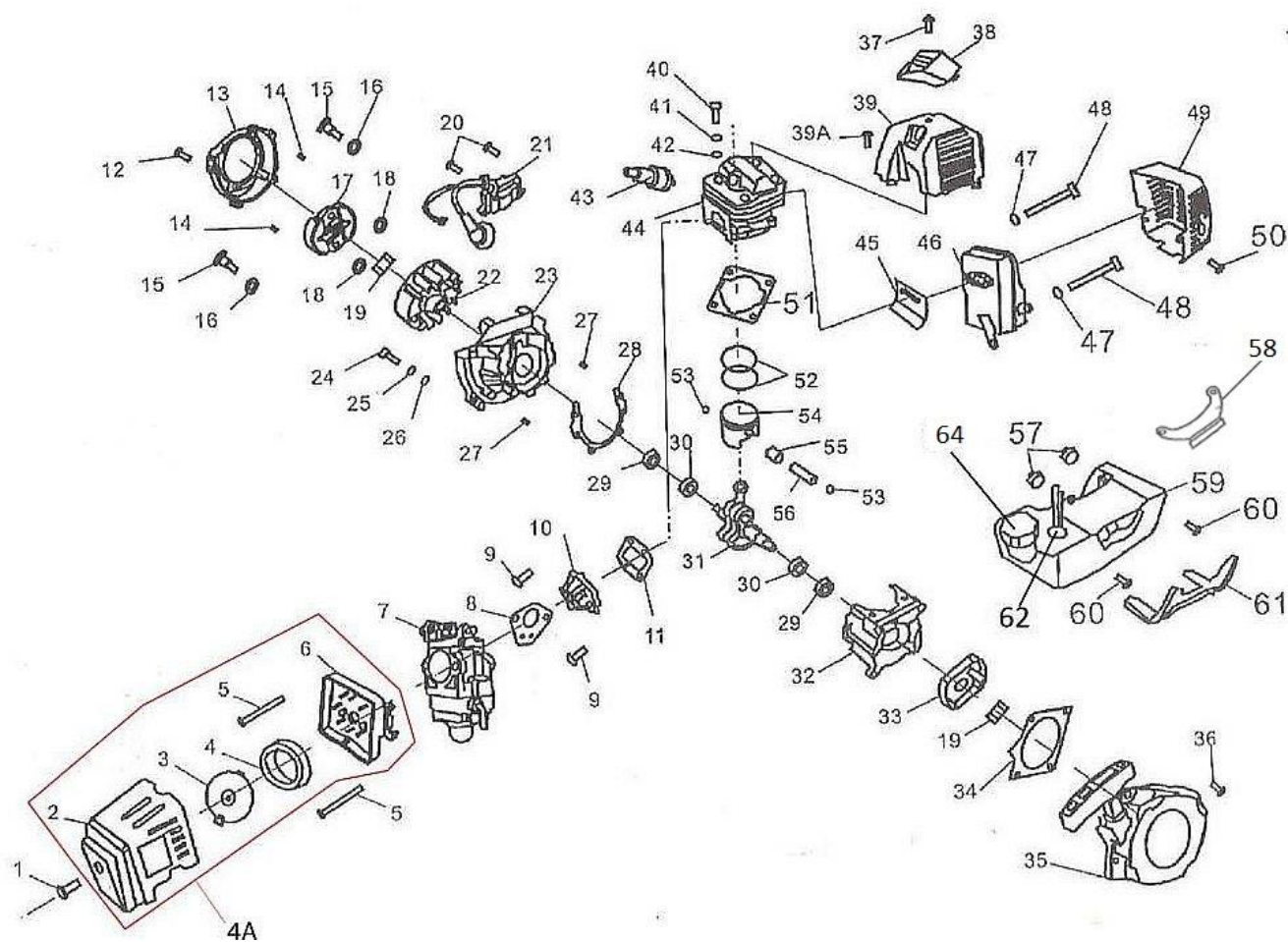


Nr. crt	Denumire produs	Product name	Cod comanda
1	motor	engine	psbc300-1-1
2	oala ambreiaj	clutch cup	ps210-1-2
3	cuplaj	coupling	ps210-1-3
4	ham	harness	ps210-1-4
5	aparatoare	shields	ps210-1-5
5A	sort protectie	protection apron	ps210-1-5a
6	ghidaj	guide	ps210-1-6
7	arbore	axle	ps210-1-7
8	tija	rod	ps210-1-8
9	corn	left handle	ps210-1-9

Producător motoutilaje

Documentatie tehnică

10	asamblu acceleratie	throttle assembly	ps210-1-10
10A	corn dreapta	right handle	ps210-1-10a
11	cap reductor	reduction gear	ps210-1-11
12	blocator	lock	ps210-1-12
13	cutit	knife	ps309-1-40
14	saiba	washer	ps210-1-14
15	oala protectie	protection cup	ps210-1-15
16	piulita	nut	ps409s-1-43
17	cutitas	cutter	ps210-1-17
18	placa prindere	plate	ps210-1-18
19	placa prindere intermediara	plate	ps210-1-19
20	placa prindere inferioara	plate	ps210-1-20
21	suport ham	harness support	ps210-1-21



Nr.crt	Denumire produs	Product name	Cod comanda
1	surub M5x16	screw M5x16	ps410.2020-2-1
2	carcasa filtru aer	air filter cover	ps410.2020-2-2
3	capac	cover	ps410.2020-2-3
4	filtru aer	air filter	ps410.2020-2-4
4a	ansamblu filtru aer	air filter assy.	ps410.2020-2-4a
5	surubM5x55	screw M5x55	ps410.2020-2-5
6	suport filtru	air filter holder	ps410.2020-2-6
7	carburator	carburetor	psbc300-2-7
8	garnitura carburator	carburetor gasket	psbc300-2-8
9	surubM5x25	screw M5x25	ps210-2-9
10	izolator	insulator	psbc300-2-10
11	garnitura	gasket	psbc300-2-11
12	surubM5x25	screw M5x25	ps210-2-12
13	carcasa ambreiaj	clutch case	psbc300-2-13
14	stift Φ 5x10	pin	ps210-2-14
15	surub ambreiaj	screw	ps210-2-15
16	saiba elastica	spring washer	ps210-2-16
17	ansamblu ambreiaj	clutch assy.	ps210-2-17
18	saiba	washer	ps210-2-18
19	piulitaM8	nut M8	ps210-2-19
20	surubM5x25	screw M5x25	ps210-2-20
21	modul aprindere	ignition coil	psbc300-2-21
22	volanta	flywheel	psbc300-2-22
23	semicarter stg	crank case left	psbc300-2-23
24	surubM5x30	screw M5x30	ps210-2-24
25	saiba grower	washer grower	ps210-2-25
26	saiba plata	washer	ps210-2-26
27	stift Φ 5x10	pin	ps210-2-27
28	garnitura semicarter	crankcase gasket	psbc300-2-28
29	simering Φ 12x Φ 22x7	seal	ps210-2-29
30	rulment 6202	bearing	ps210-2-30
31	ambielaj	crankshaft	psbc300-2-31
32	semicarter dr	crank case right	psbc300-2-32
33	cuplaj	coupling	psbc300-2-33
34	garnitura demaror	gasket	psbc300-2-34
35	demaror	starter	psbc300-2-35

Producător motoutilaje

Documentatie tehnică

36	surubM5x20	screw M5x20	ps210-2-36
39	capota	hood	ps410.2020-2-39
39A	surubM5x12	screw M5x12	ps210-2-39a
40	surubM5x25	screw M5x25	ps210-2-40
41	saiba grower	washer grower	ps210-2-41
42	saiba plata	washer	ps210-2-42
43	bujie	spark plug	br2t
44	cilindru	cylinder	psbc300-2-44
44a	set motor	engine repair kit	psbc300-2-44a
45	garnitura toba	muffler gasket	psbc300-2-45
46	toba esapament	muffler	psbc300-2-46
47	saiba grower	washer grower	ps210-2-47
48	surub tobaM6x55	screw M6x55	ps210-2-48
51	garnitura cilindru	cylinder gasket	psbc300-2-51
52	segment	piston ring	psbc300-2-52
53	siguranta bolt	piston pin clip	psbc300-2-53
54	piston	piston	psbc300-2-54
55	rulment cu ace	needle bearing	psbc300-2-55
56	bolt piston	piston pin	psbc300-2-56
57	amortizor rezervor	damper	psbc300-2-57
58	placa legatura	plate connection	psbc300-2-58
59	rezervor	fuel tank	psbc300-2-59
60	surubM5x20	screw M5x20	ps210-2-60
61	protectie rezervor	fuel tank protection	psbc300-2-61
62	ansamblu furtun alimentare	supply system	ps210-2-62
63	ans rezervor(59+62+64)	fuel tank assy.	psbc300-2-63
64	buşon rezervor	cover fuel tank	psbc300-2-64