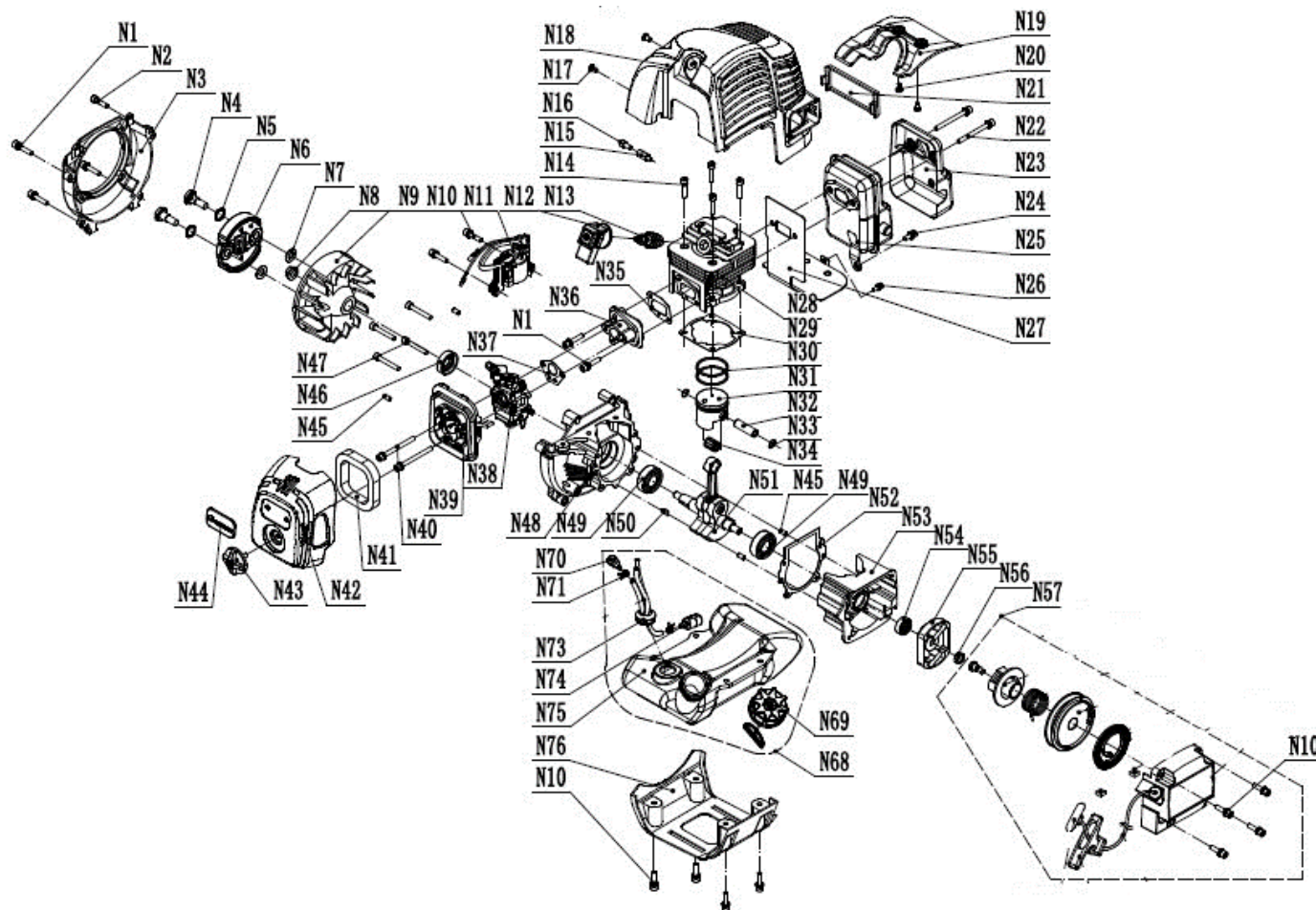


Documentatie tehnica motocoasa Dac 335



Nr. Crt	Denumire produs	Product name	Cod comanda
1	surub m5x25	bolt m5x25	ps335-1-1
2	surub m5x20	bolt m5x20	ps335-1-2
3	carcasa ambreiaj	clutch case	ps335-1-3
4	surub ambreiaj	screw	ps335-1-4
5	saiba elastica	spring washer	ps335-1-5
6	ansamblu ambreiaj	clutch assy	ps335-1-6
7	saiba	washer	ps335-1-7
8	piulita m8	nut m8	ps335-1-8
9	volanta	flywheel	ps335-1-9
10	surub m5x20	screw m5x20	ps335-1-10
11	modul aprindere	ignition coil	ps335-1-11
13	bujie	spark plug	br2t
14	surub m5x20	screw m5x20	ps335-1-14

Producător motoutilaje

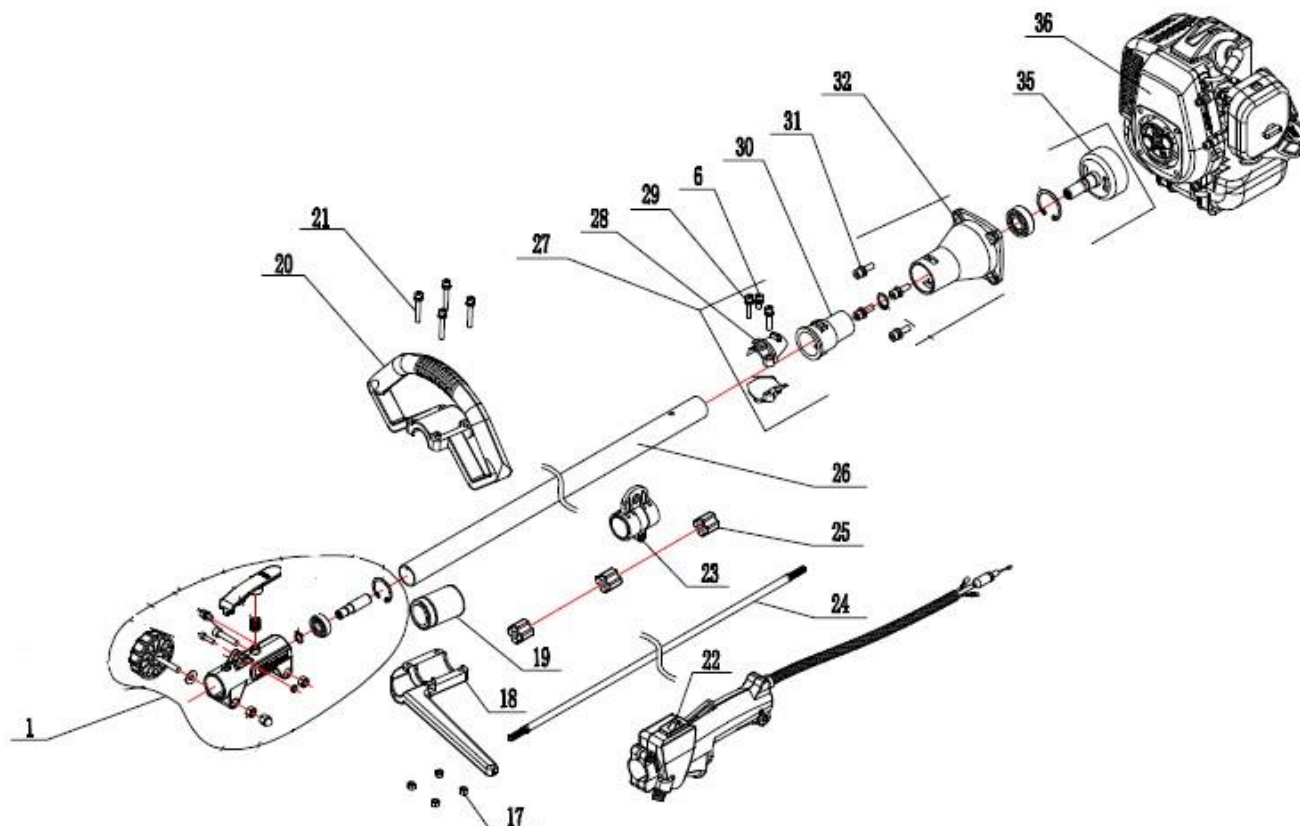
Documentatie tehnică

15	surub	screw	ps335-1-15
16	surub m5x10	screw m5x10	ps335-1-16
17	surub m5x12	screw m5x12	ps335-1-17
18	capota	hood	ps335-1-18
19	capac	cover	ps335-1-19
20	surub st4x8	screw st4x8	ps335-1-20
21	eticheta	brand badge	ps335-1-21
22	surub m6x55	screw m6x55	ps335-1-22
23	protectie toba esapament	muffler protection	ps335-1-23
24	surub m5x10	screw m5x10	ps335-1-24
25	toba esapament	muffler	ps335-1-25
26	surub m4x14	bolt m4x14	ps335-1-26
27	garnitura esapament	muffler gasket	ps335-1-27
28	cilindru	cylinder	ps335-1-28
29	garnitura cilindru	cylinder gasket	ps335-1-29
30	segmenti	piston ring	ps335-1-30
31	piston	piston	ps335-1-31
32	bolt piston	piston pin	ps335-1-32
33	siguranta bolt piston	snap ring	ps335-1-33
34	rulment ace	needle bearing	ps335-1-34
35	garnitura izolator	insulator gasket	ps335-1-35
36	izolator	insulator	ps335-1-36
37	garnitura carburator	carburetor gasket	ps335-1-37
38	carburator	carburetor	ps335-1-38
39	suport filtru aer	air filter holder	ps335-1-39
40	surub m5x55	screw m5x55	ps335-1-40
41	filtru aer	air filter	ps335-1-41
42	capac filtru aer	air filter cover	ps335-1-42
43	surub capac filtru aer	screw	ps335-1-43
44	eticheta	brand badge	ps335-1-44
45	pin 5x10	pin 5x10	ps335-1-45
46	simering 10x30x7	oil seal 10x30x7	ps335-1-46
47	surub m5x35	screw m5x35	ps335-1-47
48	semicarcter stanga	left crankcase	ps335-1-48
49	rulment 6202	bearing 6202	ps335-1-49
50	pana	key	ps335-1-50
51	ambielaj	crankshaft	ps335-1-51
52	garnitura semicarcter	crankcase gaschet	ps335-1-52
53	semicarcter dreapta	right crankcase	ps335-1-53
54	simering 12x22x7	oil seal 12x22x7	ps335-1-54
55	cuplaj	coupling	ps335-1-55

Producător motoutilaje

Documentatie tehnică

56	piulita m8	nut m8	ps335-1-56
57	ansamblu demaror	starter assy	ps335-1-57
68	ansamblu rezervor combustibil	fuel tank assy	ps335-1-68
69	buson rezervor	cover fuel tank	ps335-1-69
70	supapa dezaerare	vent valve	ps335-1-70
71	clema	clip	ps335-1-71
73	sistem alimentare	supply system	ps335-1-72
74	filtru combustibil	fuel filter	ps335-1-73
75	rezervor combustibil	fuel tank	ps335-1-74
76	protectie rezervor combustibil	fuel tank protection	ps335-1-75

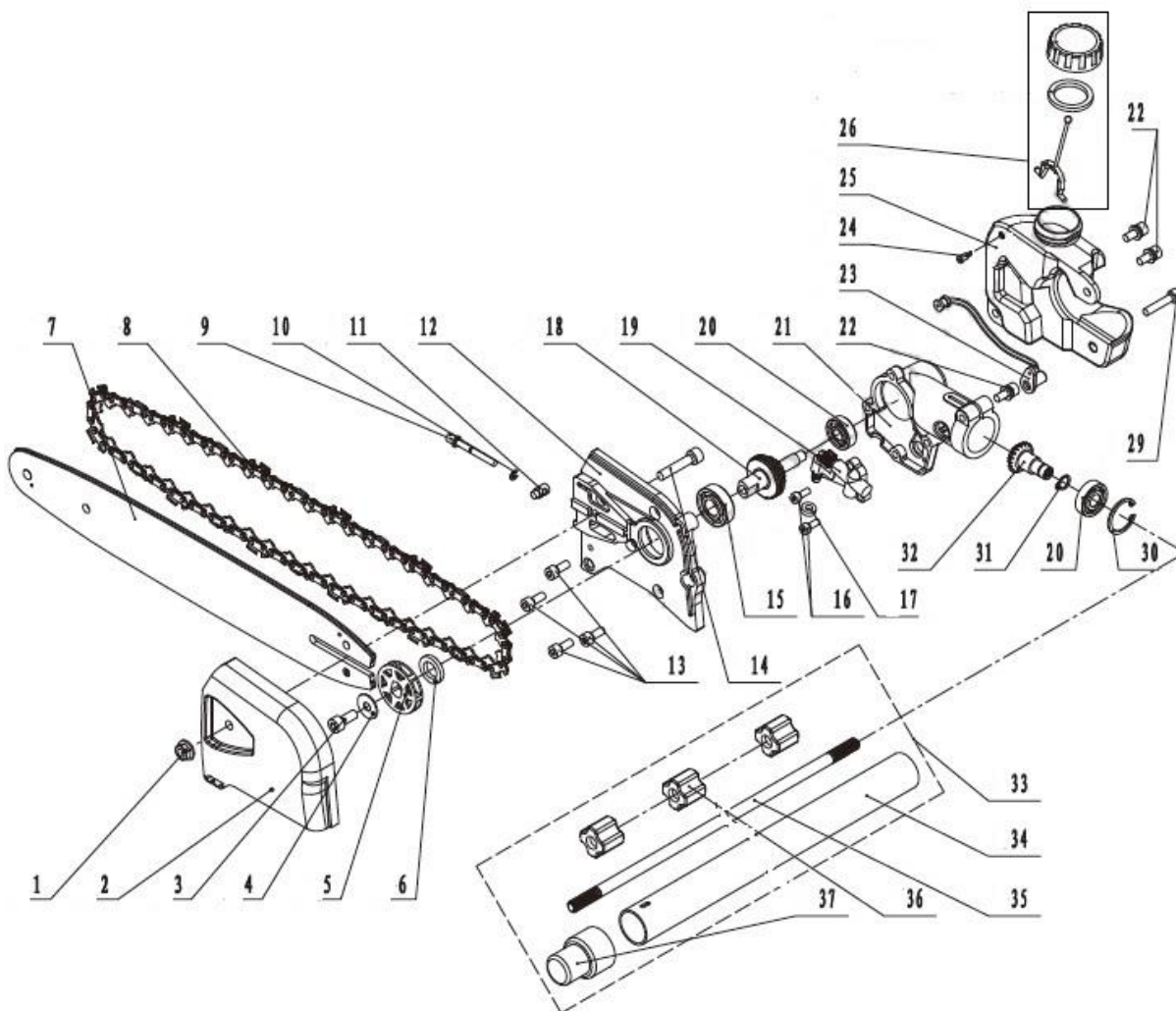


Nr. Crt	Denumire produs	Product name	Cod comanda
1	ansamblu cuplaj	coupling assembly	ps335-2-1
6	surub m5x12	screw m5x12	ps335-2-6
17	piulita m5	nut m5	ps335-2-17
18	maner prindere	grip handle	ps335-2-18

Producător motoutilaje

Documentatie tehnică

19	manson	sleeve	ps335-2-19
20	maner	handle	ps335-2-20
21	surub m5x35	screw m5x35	ps335-2-21
22	ansamblu acceleratie	throttle assy	ps335-2-22
23	suport ham	harness support	ps335-2-23
24	arbore	axle	ps335-2-24
25	bucsa	bush	ps335-2-25
26	tija	rod	ps335-2-26
27	ansamblu cuplaj	coupling assembly	ps335-2-27
28	placa	plate	ps335-2-28
29	surub m5x25	screw m5x25	ps335-2-29
30	manson	damping sleeve	ps335-2-30
31	surub m6x18	screw m6x18	ps335-2-31
32	carcasa cuplaj	coupling housing	ps335-2-32
35	oala ambreiaj	clutch cup	ps335-2-35
36	motor	engine	ps335-2-36

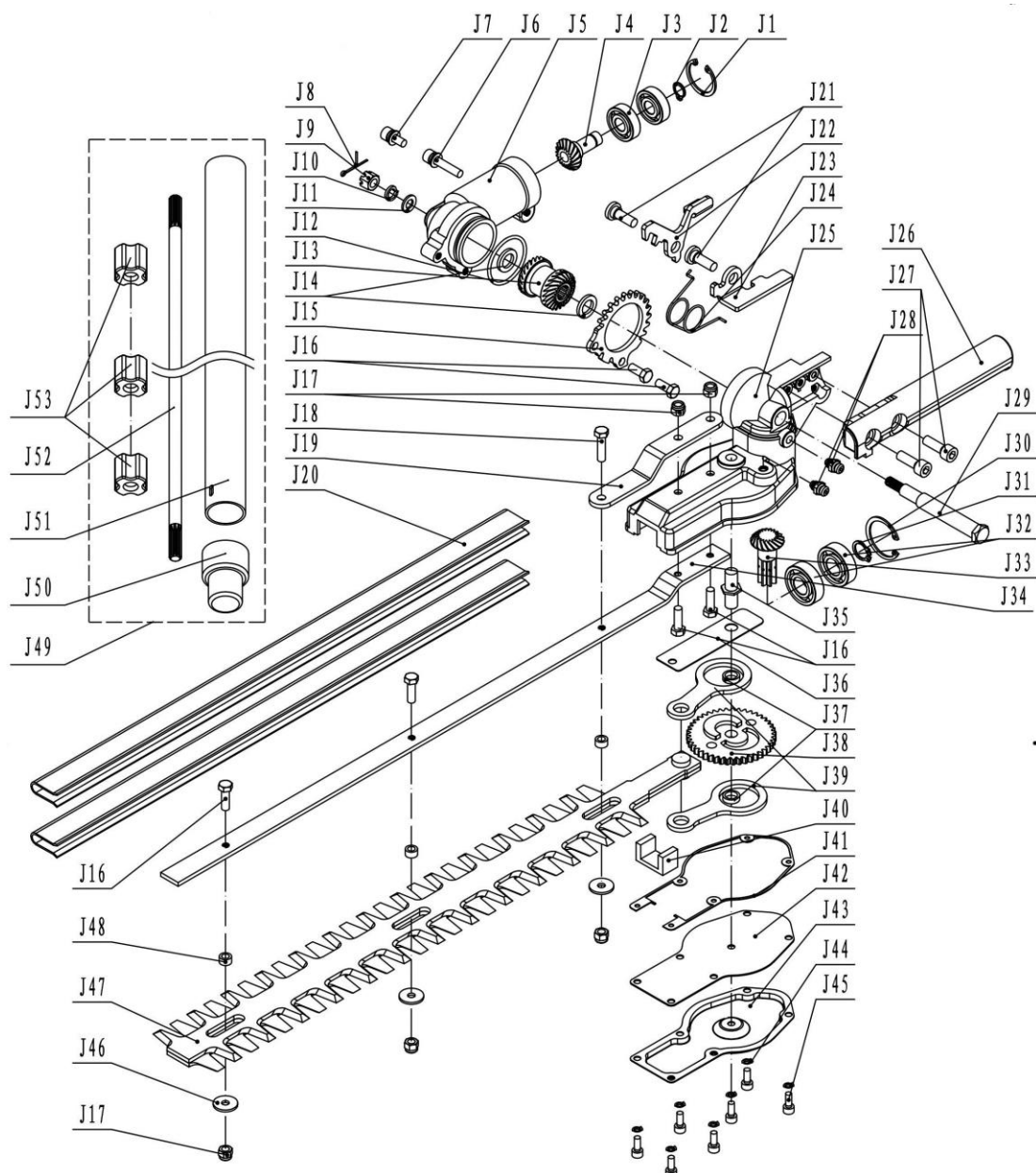


Nr. Crt	Denumire produs	Product name	Cod comanda
1	piulita	nut	ps335-3-1
2	capac lant	chain cover	ps335-3-2
3	surub	bolt	ps335-3-3
4	saiba	washer	ps335-3-4
5	inel roata lant	sproket	ps335-3-5
6	distantier	spacer	ps335-3-6
7	lama	blade	cs335-3-7
8	lant	chain	ps335-3-8
9	surub intinzator	screw chain ajusting	ps335-3-9
10	saiba	washer	ps335-3-10
11	piulita intinzator	tensioner nut	ps335-3-11
12	capac	cover	ps335-3-12
13	surub	bolt	ps335-3-13
14	prezon	stud	ps335-3-14

Producător motoutilaje

Documentatie tehnică

15	rulment	bearing	ps335-3-15
16	surub	bolt	ps335-3-16
17	burete	sponge	ps335-3-17
18	pinion	gear	ps335-3-18
19	pompa ulei	oil pump	ps335-3-19
20	rulment	bearing	ps335-3-20
21	carcasa reductor	transmission housing	ps335-3-21
22	surub	bolt	ps335-3-22
23	furtun alimentare ulei	oil pipe	ps335-3-23
24	supapa dezaerare	vent valve	ps335-3-24
25	rezervor ulei	oil tank	ps335-3-25
26	ansamblu buson ulei	cover oil tank	ps335-3-26
29	surub	bolt	ps335-3-29
30	zegher	zegher	ps335-3-30
31	zegher	zegher	ps335-3-31
32	pinion	gear	ps335-3-32
33	ansamblu tija	rod fixing assembly	ps335-3-33
34	tija	rod	ps335-3-34
35	arbore	axle	ps335-3-35
36	tub ghidare	bush	ps335-3-36
37	conector	connector	ps335-3-37



Nr. Crt	Denumire produs	Product name	Cod comanda
1	zegher 24	snap ring 24	ps335-4-1
2	zegher 9	snap ring 9	ps335-4-2
3	rulment 609	bearing 609	ps335-4-3
4	ax pinion conic	the bevel pinion shaft	ps335-4-4
5	carcasa reductor	gear case	ps335-4-5
6	surub m5x25	screw m5x25	ps335-4-6
7	surub m5x12	screw m5x12	ps335-4-7

Producător motoutilaje

Documentatie tehnică

8	siguranta	pin	ps335-4-8
9	piulita m6	nut m6	ps335-4-9
10	saiba grover m6	washer m6	ps335-4-10
11	saiba m6	washer m6	ps335-4-11
12	simering	seal ring	ps335-4-12
13	pinion	gear	ps335-4-13
14	saiba	washer	ps335-4-14
15	pinion ajutare unghi	angle adjustment gear	ps335-4-15
16	surub m5x16	screw m5x16	ps335-4-16
17	piulita m5	nut m5	ps335-4-17
18	surub m5x20	screw m5x20	ps335-4-18
19	placa	plate	ps335-4-19
20	protectie lama	blade cover	ps335-4-20
21	surub m6	screw m6	ps335-4-21
22	levier ajustare unghi	angle adjustment lever	ps335-4-22
23	parghie	lever	ps335-4-23
24	arc	spring	ps335-4-24
25	carcasa transmisie	gear case	ps335-4-25
26	maner	handle	ps335-4-26
27	surub m5x18	screw m5x18	ps335-4-27
28	gresor	greese fitting	ps335-4-28
29	ax	axle	ps335-4-29
30	zegher 28	snap ring 28	ps335-4-30
31	zegher 12	snap ring 12	ps335-4-31
32	rulment 6001	bearing 6001	ps335-4-32
33	pinion transmisie	transmission gear	ps335-4-33
34	placa ghidare	guide plate	ps335-4-34
35	arbore antrenor lama	shaft	ps335-4-35
36	placa	plate	ps335-4-36
37	saiba	washer	ps335-4-37
38	roata dintata	gear	ps335-4-38
39	antrenor lama	connecting rod	ps335-4-39
40	suport transmisie	gearbox bracket	ps335-4-40
41	garnitura transmisie	gasket gearcase	ps335-4-41
42	placa	plate	ps335-4-42
43	capac transmisie	cover gearcase	ps335-4-43
44	saiba grover m4	washer m4	ps335-4-44
45	surub m4x10	screw m4x10	ps335-4-45
46	saiba 16x5.2x1.5	washer 16x5.2x1.5	ps335-4-46
47	lama	blade	ps335-4-47
48	piulita	nut	ps335-4-48

Producător motoutilaje

Documentatie tehnică

49	ansamblu tija	working shaft assy	ps335-4-49
50	dop	stopper	ps335-4-50
51	tija	rod	ps335-4-51
52	arbore	shaft	ps335-4-52
53	bucsa	bush	ps335-4-53