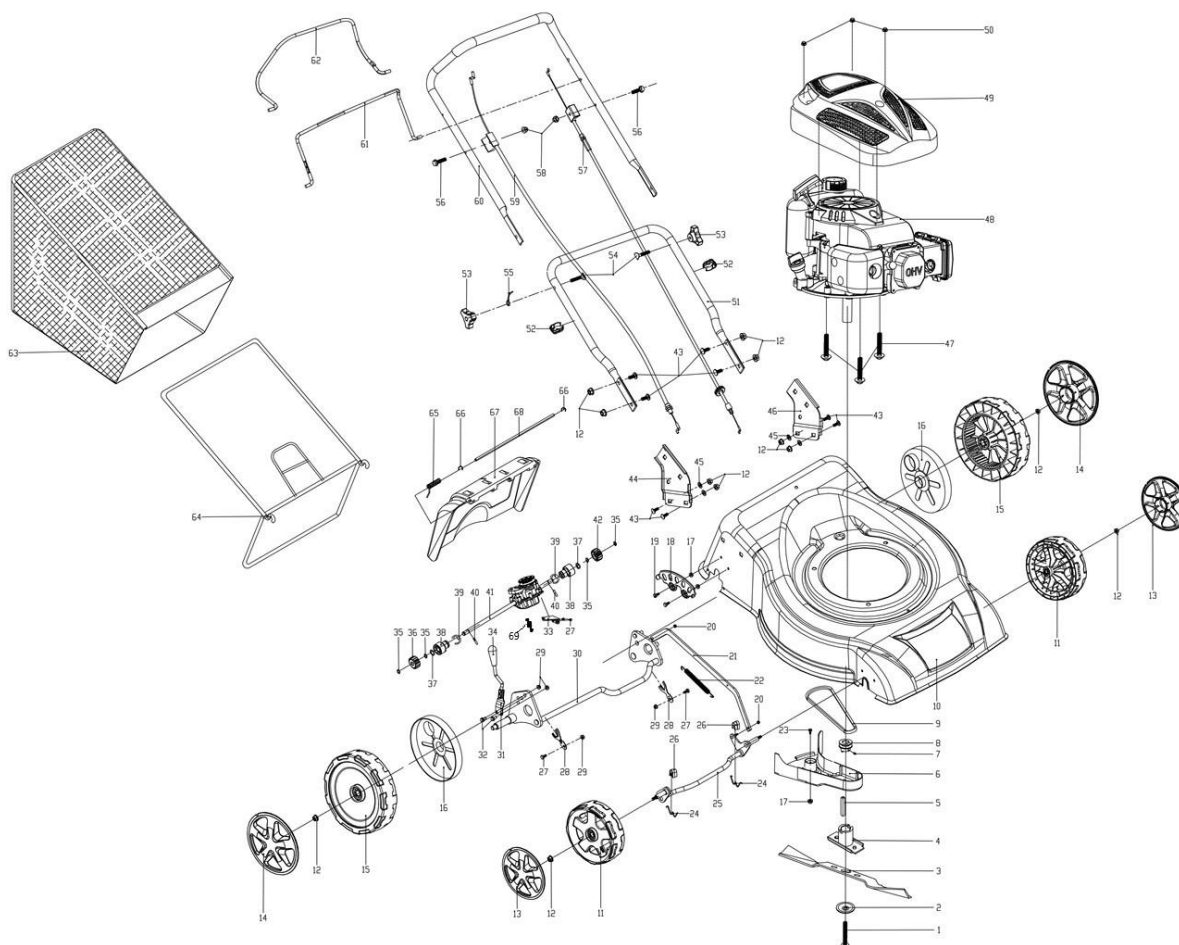


Documentatie tehnica masina de gazon Dac 110XL



Nr.crt	Denumire produs	Product name	Cod comanda
1	surub	screw	ps110xl-1-1
2	saiba	washer	ps110xl-1-2
3	cutit	blade	ps110xl-1-3
4	suport cutit	blade holder	ps110xl-1-4
5	pana	key	ps110xl-1-5
6	capac curea	belt cover	ps110xl-1-6
7	surub	screw	ps110xl-1-7
8	fulie	driving belt wheel	ps110xl-1-8
9	curea	belt	ps110xl-1-9
10	carcasa	housing	ps110xl-1-10

Producător motoutilaje

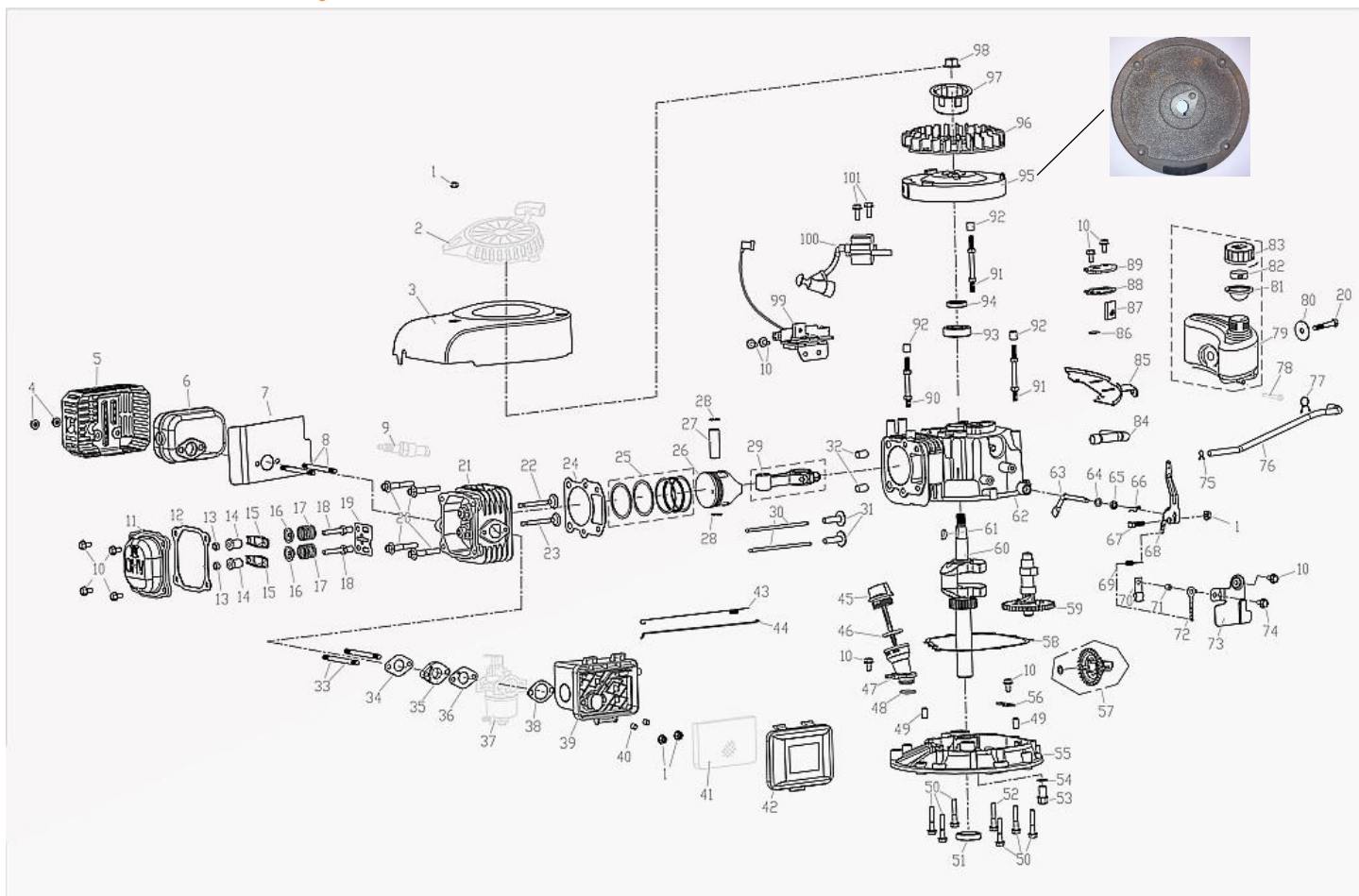
Documentatie tehnică

11	roata fata	wheel	ps110xl-1-11
12	piulita	nut	ps110xl-1-12
13	capac roata fata	wheel cover	ps110xl-1-13
14	capac roata spate	wheel cover	ps110xl-1-14
15	roata spate	wheel	ps110xl-1-15
16	capac	cover	ps110xl-1-16
17	piulita	nut	ps110xl-1-17
18	placa ajustare inaltime	adjustment height board	ps110xl-1-18
19	surub	screw	ps110xl-1-19
20	piulita	nut	ps110xl-1-20
21	tija ajustare inaltime	height adjustment rod	ps110xl-1-21
22	arc	draw spring	ps110xl-1-22
23	surub	screw	ps110xl-1-23
24	siguranta	steel wire	ps110xl-1-24
25	ax roti fata	front axle	ps110xl-1-25
26	saiba	washer	ps110xl-1-26
27	surub	screw	ps110xl-1-27
28	placa fixare	fixed plate	ps110xl-1-28
29	piulita	nut	ps110xl-1-29
30	ax roti spate	rear wheel axle	ps110xl-1-30
31	levier ajustare inaltime	adjustment lever	ps110xl-1-31
32	surub	screw	ps110xl-1-32
33	placa	plate	ps110xl-1-33
34	maner	handle	ps110xl-1-34
35	siguranta	shaft ring	ps110xl-1-35
36	roata dintata	gear	ps110xl-1-36
37	saiba	washer	ps110xl-1-37
38	rulment	bearing	ps110xl-1-38
39	siguranta	shaft ring	ps110xl-1-39
40	bolt	pin	ps110xl-1-40
41	ansamblu transmisie	Selfpropelled Assy.	ps110xl-1-41
42	roata tintata	gear	ps110xl-1-42
43	surub	screw	ps110xl-1-43
44	suport	support	ps110xl-1-44
45	saiba	washer	ps110xl-1-45
46	suport	support	ps110xl-1-46
47	surub	screw	ps110xl-1-47
48	motor	engine	ps110xl-1-48
49	capota	plastic cover	ps110xl-1-49
50	piulita	nut	ps110xl-1-50
51	suport maner	support handle	ps110xl-1-51

Producător motoutilaje

Documentatie tehnică

52	clema cablu	cable clip	ps110xl-1-52
53	piulita rozeta	2-angle knob	ps110xl-1-53
54	surub	screw	ps110xl-1-54
55	carlig	hook	ps110xl-1-55
56	surub	screw	ps110xl-1-56
57	cablu actionare roti	driving cable	ps110xl-1-57
58	piulita	nut	ps110xl-1-58
59	cablu motor stop	engine stop cable	ps110xl-1-59
60	maner	handle	ps110xl-1-60
61	maneta motor stop	engine stop lever	ps110xl-1-61
62	maneta actionare roti	wheel drive lever	ps110xl-1-62
63	sac colector	collecting bag	ps110xl-1-63
64	cadru sac colector	collection bag frame	ps110xl-1-64
65	arc	torsional spring	ps110xl-1-65
66	siguranta	split washer	ps110xl-1-66
67	capac evacuare	rear discharge cover	ps110xl-1-67
68	tija	rod	ps110xl-1-68
69	arc	spring	ps110xl-1-69



Nr. Crt	Denumire produs	Product name	Cod comanda
1	piulita	nut	ps100xl-2-1
2	ansamblu demaror	start assy	ps100xl-2-2
3	capac ventilator	fan cover	ps100xl-2-3
4	piulita	nut	ps100xl-2-4
5	protectie toba esapament	muffler cover	ps100xl-2-5
6	toba esapament	muffler	ps100xl-2-6
7	garnitura toba esapament	heat insulation gasket of muffler	ps100xl-2-7
8	prezon	stud	ps100xl-2-8
9	bujie	spark plug	br4t
10	surub	screw	ps100xl-2-10
11	capac culbutori	cylinder head cover	ps100xl-2-11
12	garnitura capac culbutori	gasket of cylinder cover	ps100xl-2-12
13	piulita	nut	ps100xl-2-13
14	piulita	nut	ps100xl-2-14
15	culbutori	valve rocker	ps100xl-2-15
16	taler supapa	spring socket	ps100xl-2-16

Producător motoutilaje

Documentatie tehnică

17	arc	spring	ps100xl-2-17
18	prezon	stud	ps100xl-2-18
19	placuta ghidaj	guide plate	ps100xl-2-19
20	surub	screw	ps100xl-2-20
21	chiuloasa	cylinder head	ps100xl-2-21
22	supapa admisie	intake valve	ps100xl-2-22
23	supapa evacuare	exhaust valve	ps100xl-2-23
24	garnitura chiuloasa	gasket of cylinder head	ps100xl-2-24
25	set segmenti	piston ring	ps100xl-2-25
26	piston	piston	ps100xl-2-26
27	bolt piston	piston pin	ps100xl-2-27
28	siguranta bolt piston	piston pin clip	ps100xl-2-28
29	ansamblu biela	connect rod assy.	ps100xl-2-29
30	tija	push rod assy.	ps100xl-2-30
31	tachet	rocker	ps100xl-2-31
32	pin de ghidare	pin	ps100xl-2-32
33	prezon	stud	ps100xl-2-33
34	garnitura izolator	insulator gasket	ps100xl-2-34
35	izolator	insulator	ps100xl-2-35
36	garnitura carburator	carburetor gasket	ps100xl-2-36
37	carburator	carburetor	ps100xl-2-37
38	garnitura filtru aer	gasket of air filter	ps100xl-2-38
39	suport filtru aer	bracket of air filter	ps100xl-2-39
40	bucsa	air filter bush	ps100xl-2-40
41	filtru aer	foam filter element	ps100xl-2-41
42	capac filtru aer	upper cover	ps100xl-2-42
43	arc	throttle spring	ps100xl-2-43
44	tija acceleratie	throttle lever	ps100xl-2-44
45	joja	dipstick	ps100xl-2-45
46	oring	o-ring	ps100xl-2-46
47	suport joja ulei	filler pipe	ps100xl-2-47
48	oring	o-ring	ps100xl-2-48
49	pin de ghidare	pin	ps100xl-2-49
50	surub	screw	ps100xl-2-50
51	simering	oil seal	ps100xl-2-51
52	surub	screw	ps100xl-2-52
53	surub golire ulei	oil drain screw	ps100xl-2-53
54	saiba	washer	ps100xl-2-54
55	capac carter	crankcase cover	ps100xl-2-55
56	placa	pressing plate	ps100xl-2-56
57	ansamblu regulator	gear governor	ps100xl-2-57

Producător motoutilaje

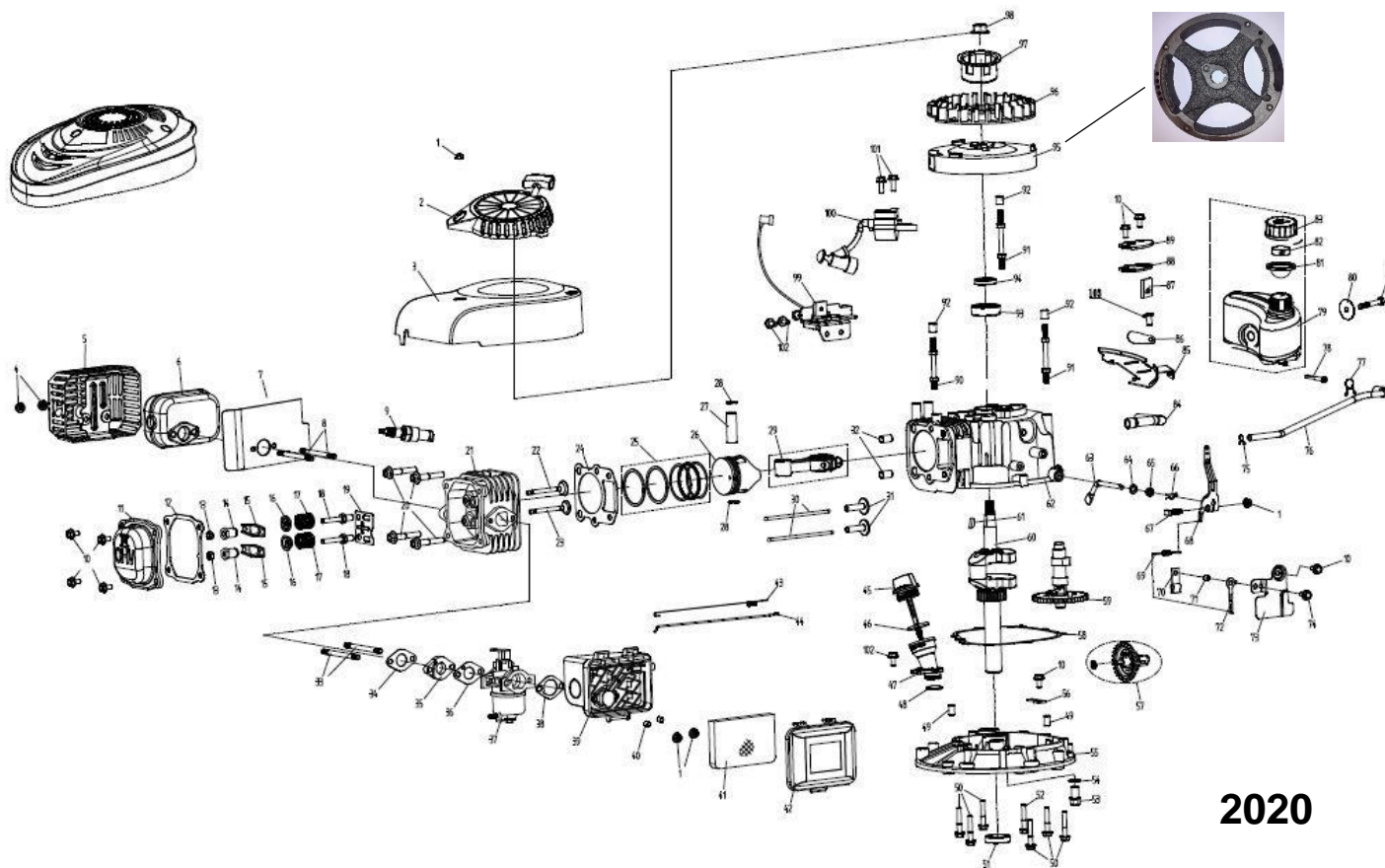
Documentatie tehnică

58	garnitura carter	crankcase gasket	ps100xl-2-58
59	ax came	camshaft	ps100xl-2-59
60	arbore motor	crankshaft	ps100xl-2-60
61	pana	key	ps100xl-2-61
62	carter	crankcase	ps100xl-2-62
63	tija regulator	speed regulator rod	ps100xl-2-63
64	saiba	washer	ps100xl-2-64
65	simering	oil seal	ps100xl-2-65
66	siguranta	split pin	ps100xl-2-66
67	surub	screw	ps100xl-2-67
68	brat regulator	speed regulator rocker	ps100xl-2-68
69	arc	draw spring	ps100xl-2-69
71	clema fizare	fixed clip	ps100xl-2-70
72	bucsa	bush	ps100xl-2-71
72	parghie	speed regulator board	ps100xl-2-72
73	placa	board	ps100xl-2-73
74	surub	screw	ps100xl-2-74
75	clema	twisting clip b	ps100xl-2-75
76	furtun alimentare	fuel inlet pipe	ps100xl-2-76
77	clema	twisting clip a	ps100xl-2-77
78	filtru combustibil	fuel filter net	ps100xl-2-78
79	rezervor combustibil	fuel tank	ps100xl-2-79
80	saiba	washer	ps100xl-2-80
81	garnitura	seal gasket of fuel tank cap	ps100xl-2-81
82	burete	sponge	ps100xl-2-82
83	buson rezervor	fuel tank cap	ps100xl-2-83
84	furtun epurator	freather pipe	ps100xl-2-84
85	suport rezervor combustibil	fuel tank bracket	ps100xl-2-85
86	valva	valve element	ps100xl-2-86
87	element filtrant	filter net	ps100xl-2-87
88	garnitura epurator	gasket of respirator	ps100xl-2-88
89	capac epurator	respirator cover plate	ps100xl-2-89
90	prezon	stud	ps100xl-2-90
91	prezon	stud	ps100xl-2-91
92	bucsa	bush	ps100xl-2-92
93	rulment	roller bearing	ps100xl-2-93
94	simering	oil seal	ps100xl-2-94
95	volanta	flying wheel	ps100xl-2-95
96	ventilator	fan	ps100xl-2-96
97	cuplaj	coupling	ps100xl-2-97
98	piulita	nut	ps100xl-2-98

Producător motoutilaje

Documentatie tehnică

99	frana	brake	ps100xl-2-99
100	modul aprindere	ignition assy	ps100xl-2-100
101	surub	screw	ps100xl-2-101



2020

Nr. crt	Denumire produs	Product name	Cod comanda
1	piulita	Nut	ps100xl.2020-2-1
2	ansamblu demaror	Engine start	ps100xl.2020-2-2
3	aparatoare	Wind scooper	ps100xl.2020-2-3
4	piulita	Nut	ps100xl.2020-2-4
5	protectie toba esapament	Muffler cover	ps100xl.2020-2-5
6	ansamblu toba esapament	Muffler Assy.	ps100xl.2020-2-6
7	garnitura toba esapament	Heat Insulation Gasket of Muffler	ps100xl.2020-2-7
8	surub	Double head bolt	ps100xl.2020-2-8
9	bujie	Spark Plug	br4t
10	surub hexagonal	Hexagon flange bolts	ps100xl.2020-2-10
11	capac culbutori	Cylinder Head cover	ps100xl.2020-2-11
12	garnitura capac culbutori	Gasket of Cylinder cover	ps100xl.2020-2-12

Producător motoutilaje

Documentatie tehnică

13	piulita	Nut	ps100xl.2020-2-13
14	piulita	Nut	ps100xl.2020-2-14
15	culbutori	Valve rocker	ps100xl.2020-2-15
16	taler supapa	Spring socket	ps100xl.2020-2-16
17	arc	Spring	ps100xl.2020-2-17
18	surub de reglare	Adjustment bolt	ps100xl.2020-2-18
19	tija	Push rod assy.	ps100xl.2020-2-19
20	surub hexagonal	Hexagon flange bolts	ps100xl.2020-2-20
21	ansamblu capac cilindru	Cylinder Head Assy	ps100xl.2020-2-21
22	supapa admisie	Intake Valve	ps100xl.2020-2-22
23	supapa evacuare	Exhaust Valve	ps100xl.2020-2-23
24	garnitura chiuloasa	Gasket of cylinder	ps100xl.2020-2-24
25	set segmenti	Piston ring	ps100xl.2020-2-25
26	piston	Piston	ps100xl.2020-2-26
27	pin de ghidare	Pin	ps100xl.2020-2-27
28	siguranta piston	Jump ring	ps100xl.2020-2-28
29	ansamblu biela	Connect rod assy.	ps100xl.2020-2-29
30	tija	Push rod assy.	ps100xl.2020-2-30
31	pin	Pin	ps100xl.2020-2-31
32	pin	Pin	ps100xl.2020-2-32
33	surub	Double head bolt	ps100xl.2020-2-33
34	garnitura I	Gasket I of Air Inlet Pipe	ps100xl.2020-2-34
35	conducta de aer	Air Inlet Pipe	ps100xl.2020-2-35
36	garnitura filtru aer	Gasket of Air Filter	ps100xl.2020-2-36
37	ansamblu carburator	Carburetor Assy	ps100xl.2020-2-37
38	garnitura filtru aer	Gasket of Air Filter	ps100xl.2020-2-38
39	suport filtru aer	bracket of air filter	ps100xl.2020-2-39
40	prindere filtru aer	Liner of air filter	ps100xl.2020-2-40
41	filtru de aer	Foam Filter Element	ps100xl.2020-2-41
42	capac filtru aer	Upper cover	ps100xl.2020-2-42
43	arc	Draw spring	ps100xl.2020-2-43
44	supapa	Handspike of Valve	ps100xl.2020-2-44
45	joja	Oil ruler	ps100xl.2020-2-45
46	o-ring	O ring	ps100xl.2020-2-46
47	conducta ulei	Oil filling pipe	ps100xl.2020-2-47
48	o-ring	O ring	ps100xl.2020-2-48
49	pin	Pin	ps100xl.2020-2-49
50	surub hexagonal	Hexagon flange bolts	ps100xl.2020-2-50
51	simering	Oil seal	ps100xl.2020-2-51
52	surub hexagonal	Hexagon flange bolts	ps100xl.2020-2-52
53	pin	Bolts	ps100xl.2020-2-53
54	saiba	Washer	ps100xl.2020-2-54
55	capac	Box cover	ps100xl.2020-2-55
56	placa	Plate	ps100xl.2020-2-56
57	ansamblu regulator	Speed Regulator Gear Assy.	ps100xl.2020-2-57
58	garnitura	Gasket	ps100xl.2020-2-58
59	ax came	Camshaft	ps100xl.2020-2-59
60	ansamblu arbore motor	Crankshaft Assy	ps100xl.2020-2-60

Producător motoutilaje

Documentatie tehnică

61	pana	Semicircle key	ps100xl.2020-2-61
62	carter	Crankcase	ps100xl.2020-2-62
63	brat regulator	Speed Regulator Rocker	ps100xl.2020-2-63
64	saiba	washer	ps100xl.2020-2-64
65	simering	Oil seal	ps100xl.2020-2-65
66	siguranta	Split pin	ps100xl.2020-2-66
67	surub	Screw	ps100xl.2020-2-67
68	tija regulator	Speed Regulator Rod	ps100xl.2020-2-68
69	arc	Draw spring	ps100xl.2020-2-69
70	clema fixare	Clip of oil pipe	ps100xl.2020-2-70
71	bucsa	Liner of speeder	ps100xl.2020-2-71
72	parghie	Plate of speeder	ps100xl.2020-2-72
73	placa	Panel of speeder	ps100xl.2020-2-73
74	surub hexagonal	Hexagon flange bolts	ps100xl.2020-2-74
75	clema	Twisting clip B	ps100xl.2020-2-75
76	furtun alimentare	Fuel Inlet Pipe	ps100xl.2020-2-76
77	clema	Twisting clip A	ps100xl.2020-2-77
78	furtun combustibil	Fuel filter net	ps100xl.2020-2-78
79	rezervor combustibil	Crankcase	ps100xl.2020-2-79
80	saiba	Washer of crankcase	ps100xl.2020-2-80
81	garnitura	Seal Gasket of Fuel Tank Cap	ps100xl.2020-2-81
82	burete	Foam	ps100xl.2020-2-82
83	buson rezervor	Fuel cover	ps100xl.2020-2-83
84	furtun epurator	Freather pipe	ps100xl.2020-2-84
85	suport rezervor combustibil	Bracket of crankcase	ps100xl.2020-2-85
86	valva	Valve Element	ps100xl.2020-2-86
87	element filtrant	Filer	ps100xl.2020-2-87
88	garnitura epurator	Gasket of Air Filter	ps100xl.2020-2-88
89	capac epurator	Respirator cover assy	ps100xl.2020-2-89
90	surub	Double head bolt	ps100xl.2020-2-90
91	surub	Double head bolt	ps100xl.2020-2-91
92	bucsa	Liner of air filter	ps100xl.2020-2-92
93	rulment	Bearing	ps100xl.2020-2-93
94	simering	Oil seal	ps100xl.2020-2-94
95	volanta	Flywheel	ps100xl.2020-2-95
96	ventilator	Fan	ps100xl.2020-2-96
97	cuplaj	Drived disk	ps100xl.2020-2-97
98	piulita	Nut	ps100xl.2020-2-98
99	frana	Brakes	ps100xl.2020-2-99
100	modul aprindere	Ignition Assy	ps100xl.2020-2-100
101	bolt	Bolts	ps100xl.2020-2-101
102	bolt	Bolts	ps100xl.2020-2-102
103	surub	Cross head screw	ps100xl.2020-2-103